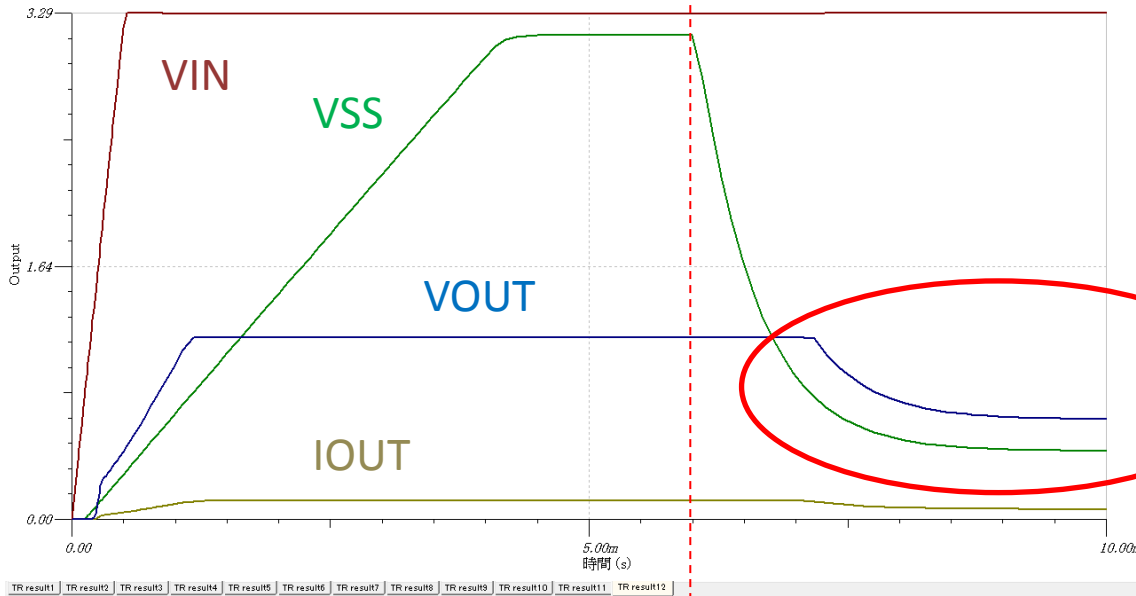
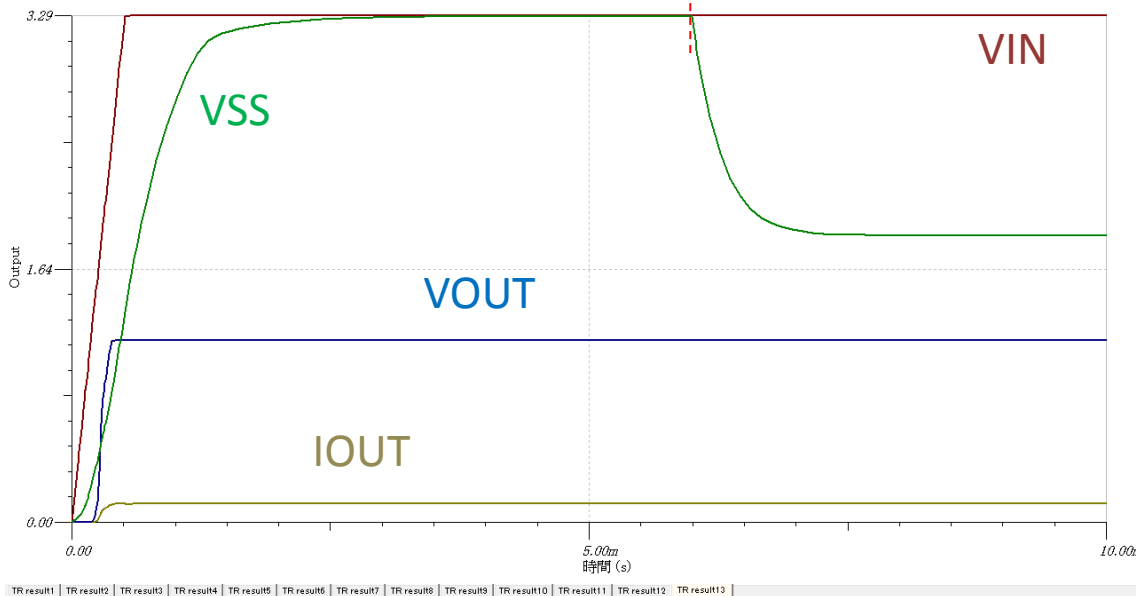


SW1 ON (Leak path created from SS pin to GND)



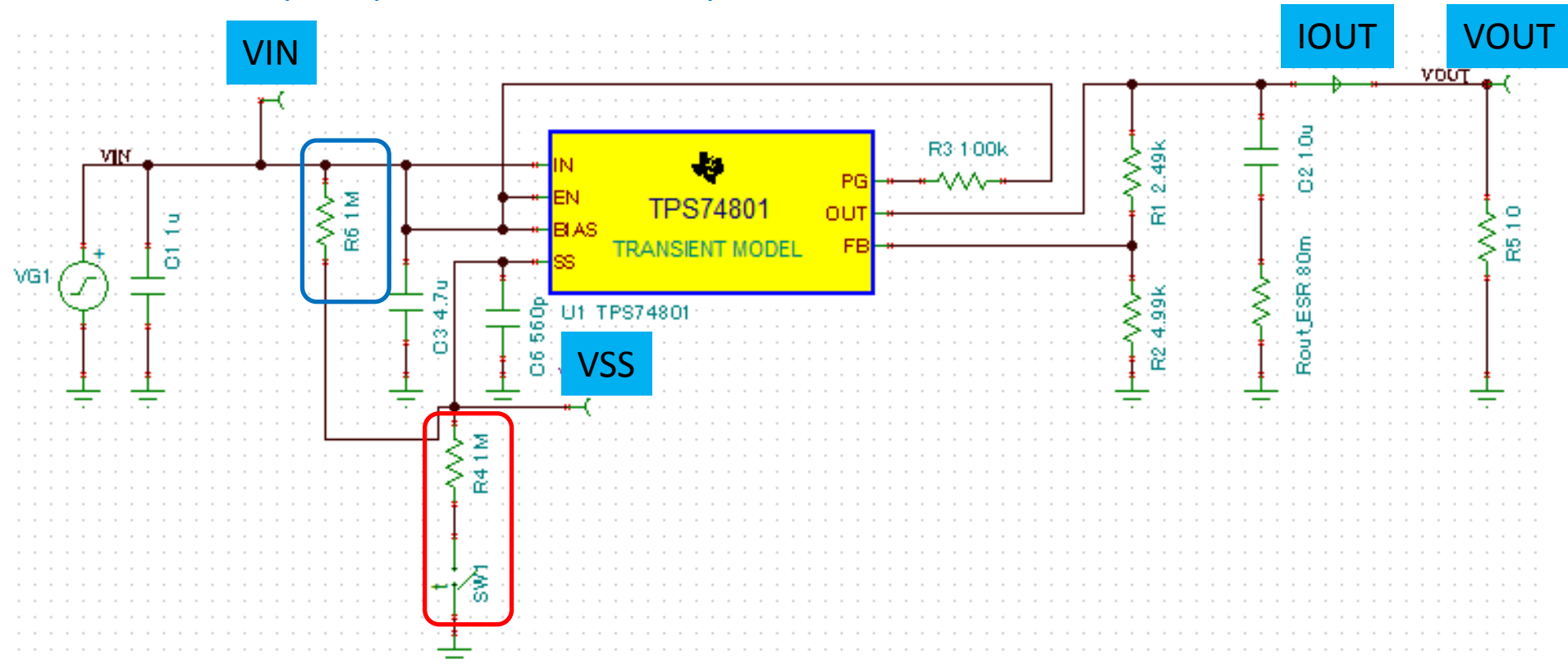
Without external pull-up on SS pin

Vout is dropped due to VSS dropping



With external pull-up on SS pin

Add pull up to add I_{ss} externally



Simulate leak path from SS pin to GND due to condensation water