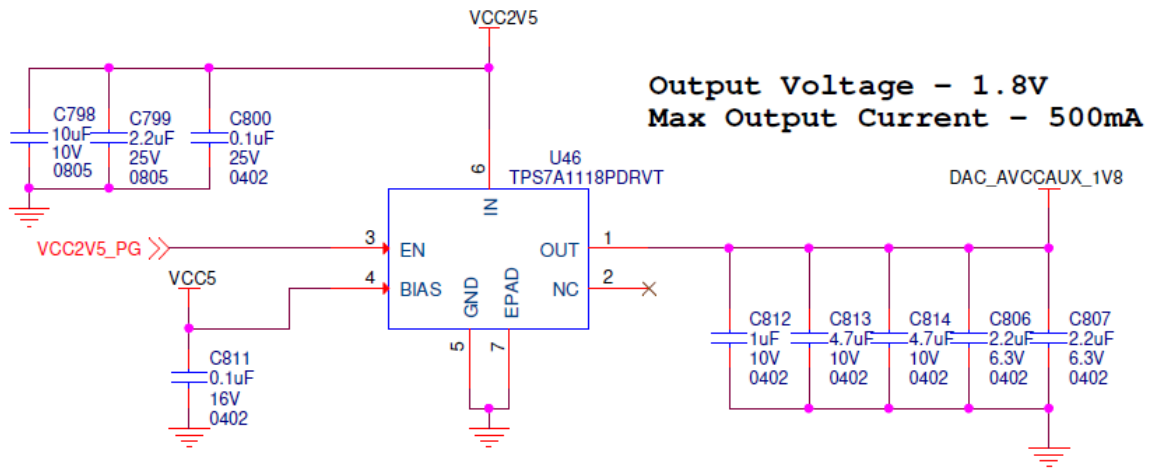
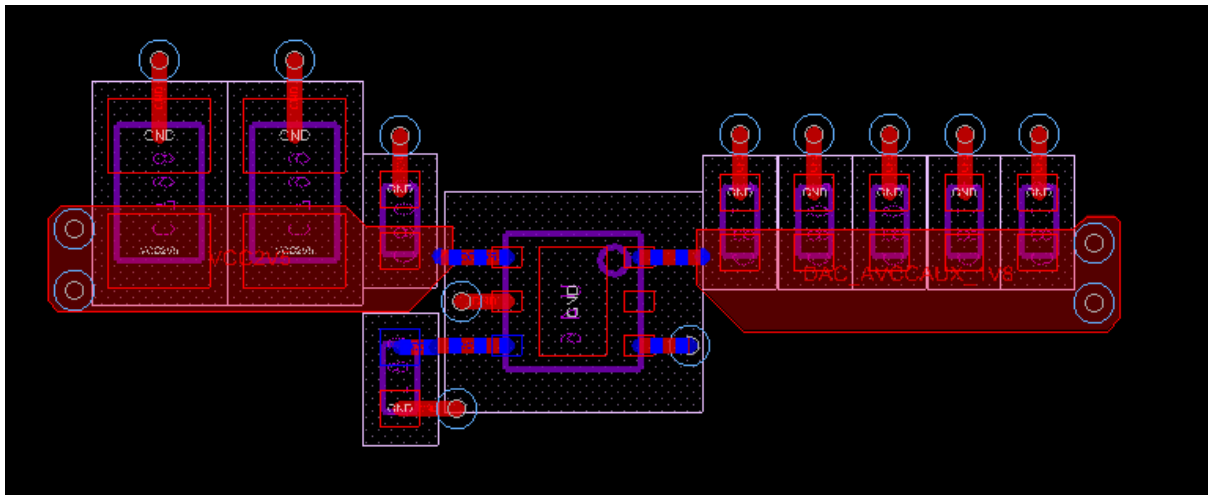


SCHEMATICS: DAC SUPPLY

DAC_AVCCAUX_1V8

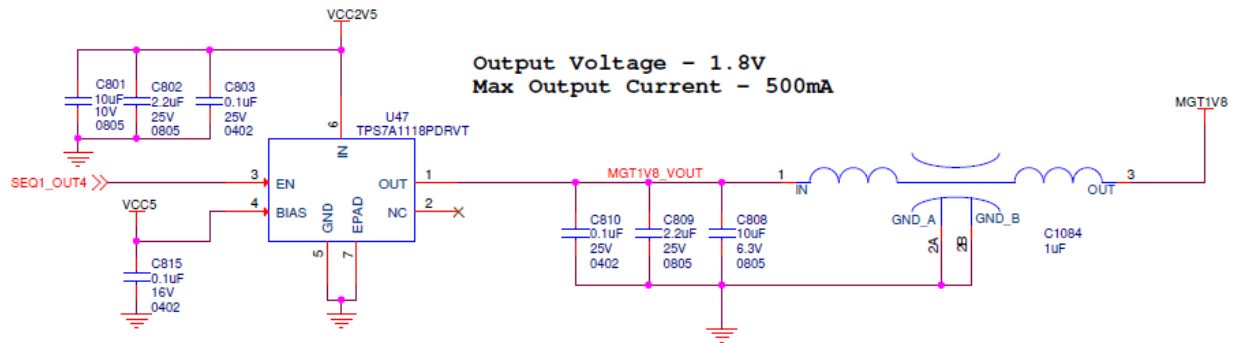


LAYOUT:

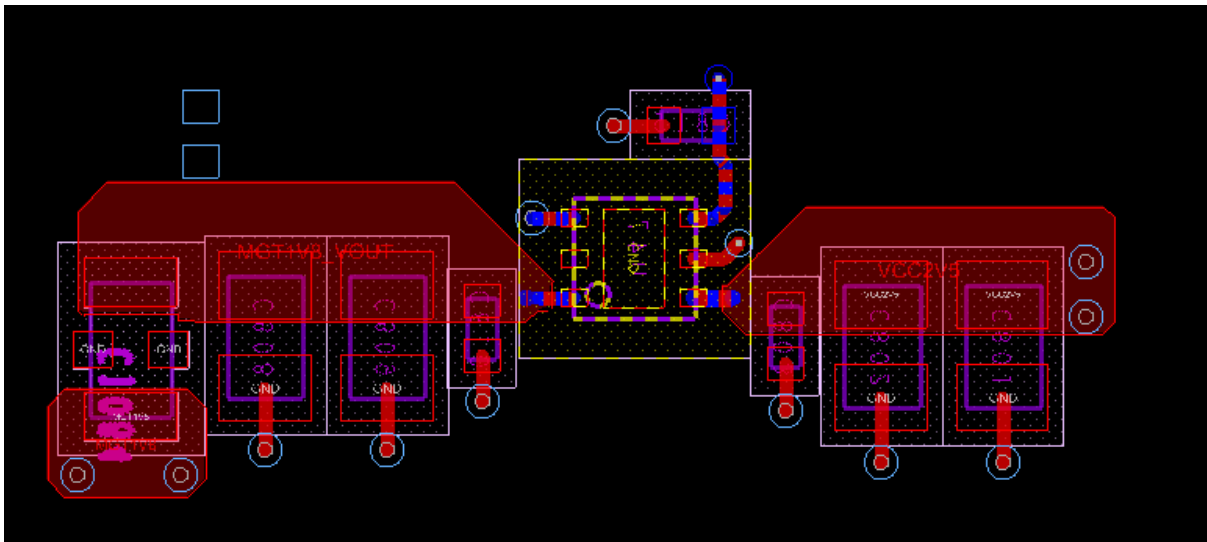


SCHEMATICS: RFSOC MGT BANK

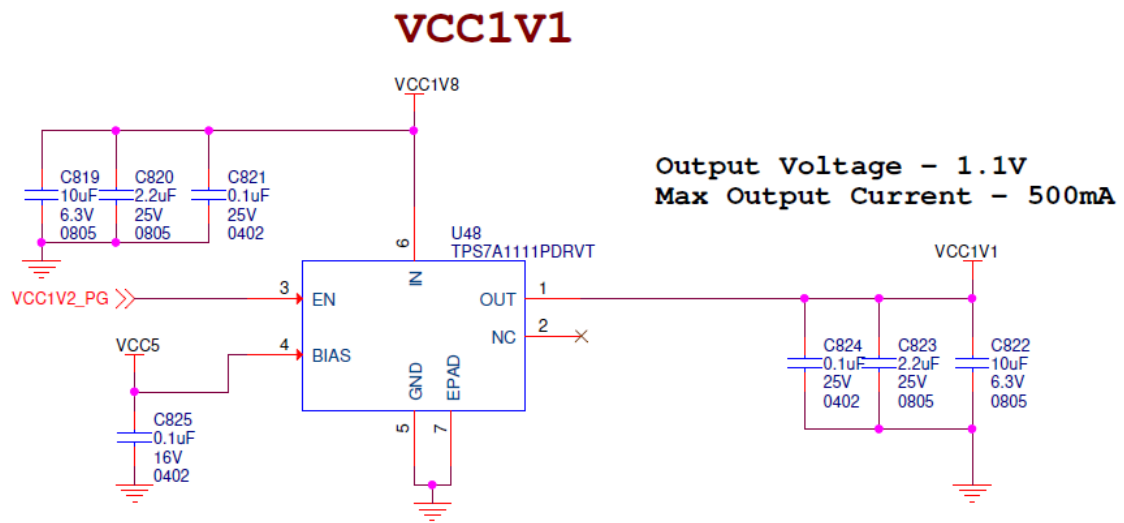
MGT1V8



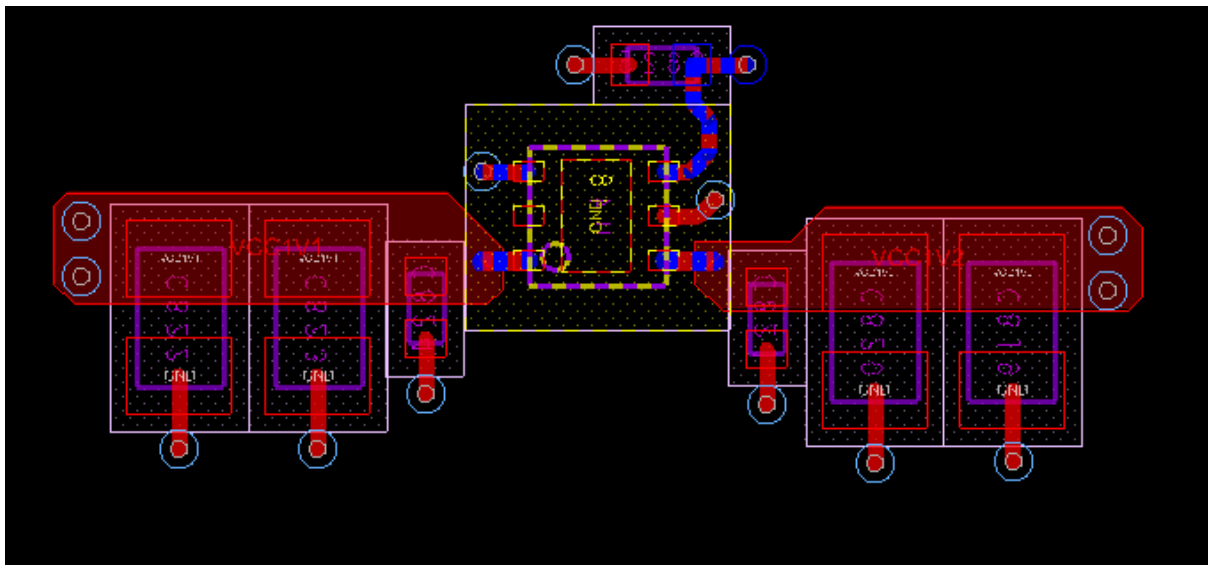
LAYOUT:



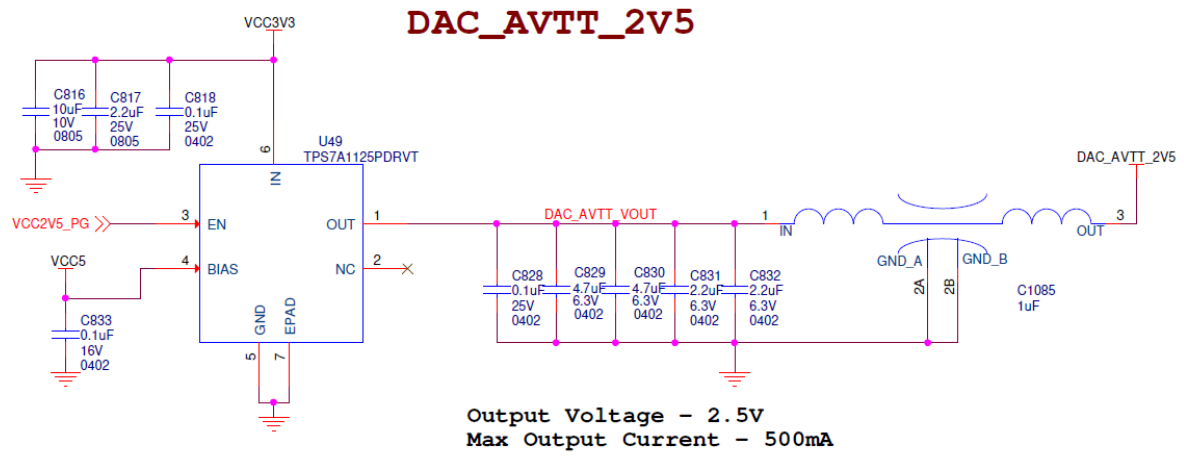
SCHEMATICS: RFSOC BANK SUPPLY



LAYOUT:



SCHEMATICS: RFSOC BANK SUPPLY



LAYOUT:

