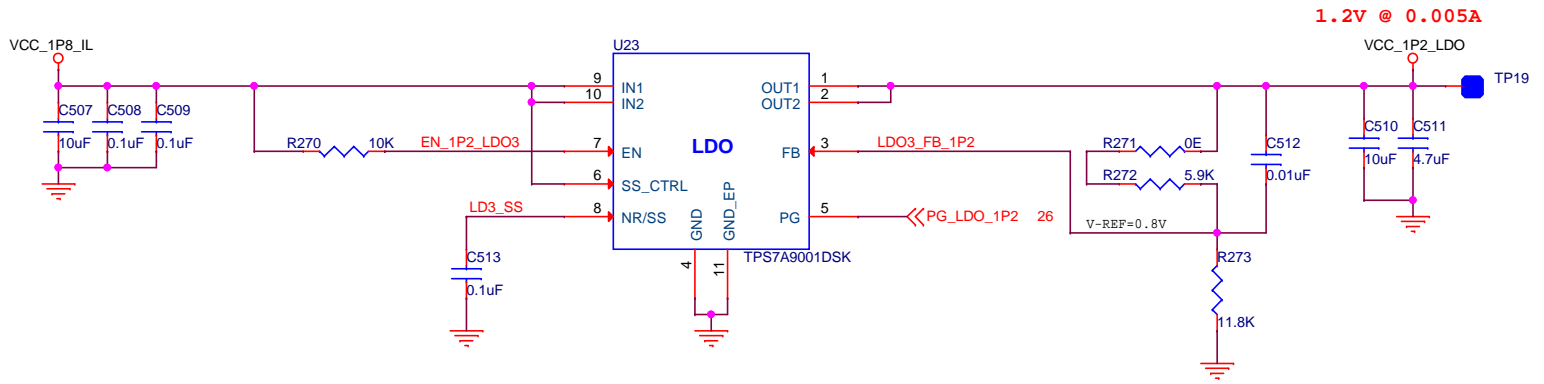


VOLTAGE CONVERSION 1.8 TO 1.2V



Title		
<Title>		
Size	Document Number	Rev
A4	<Doc>	<Rev>
Date:	Wednesday, April 26, 2023	Sheet 1 of 1