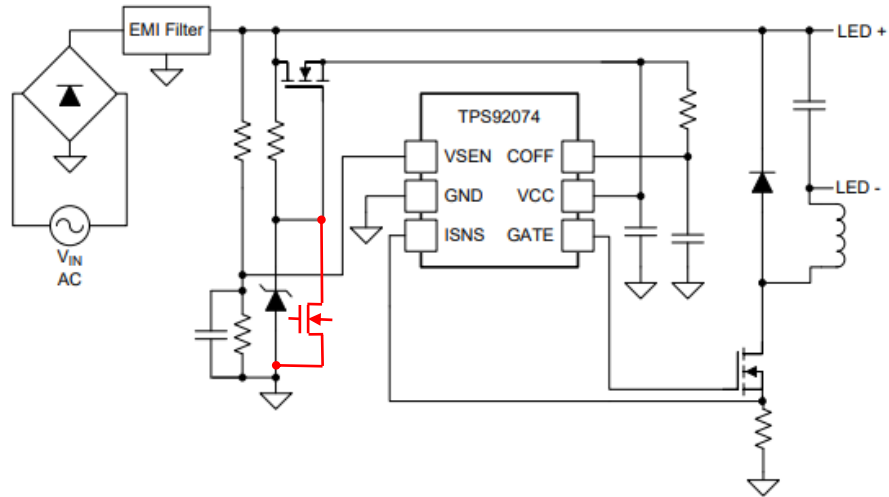


TPS92074_LM3444_enable_disable_control

TPS92074

SIMPLIFIED APPLICATION DIAGRAM



LM3444

Typical LM3444 LED Driver Application Circuit

