

# TPS92691EVM-001 modify points for buck mode only

TPS92691EVM-001 schematic and modify points

## 5 Schematic

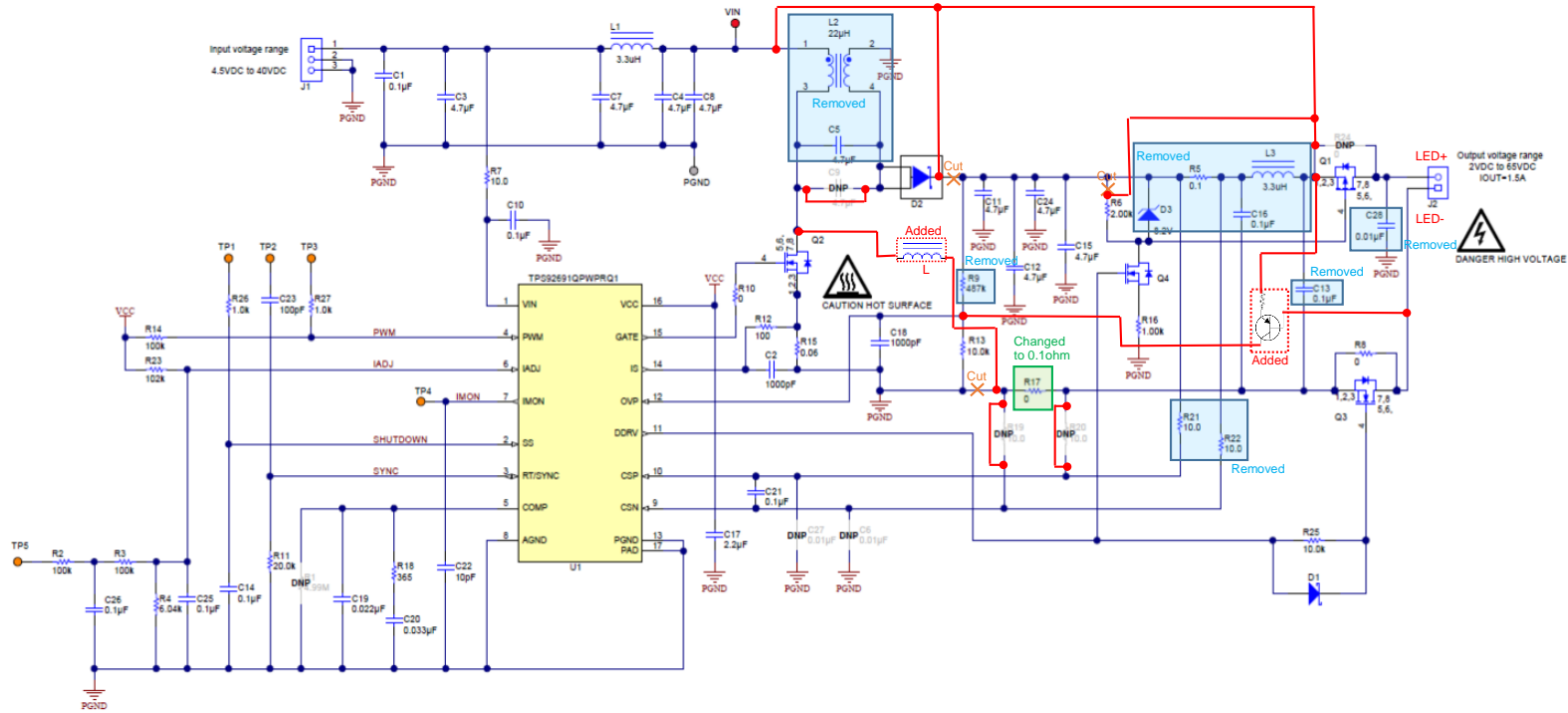


Figure 2. TPS92691EVM-001 Schematic: Configured With a High-Side Current Sense and a High-Side Series PFET Device