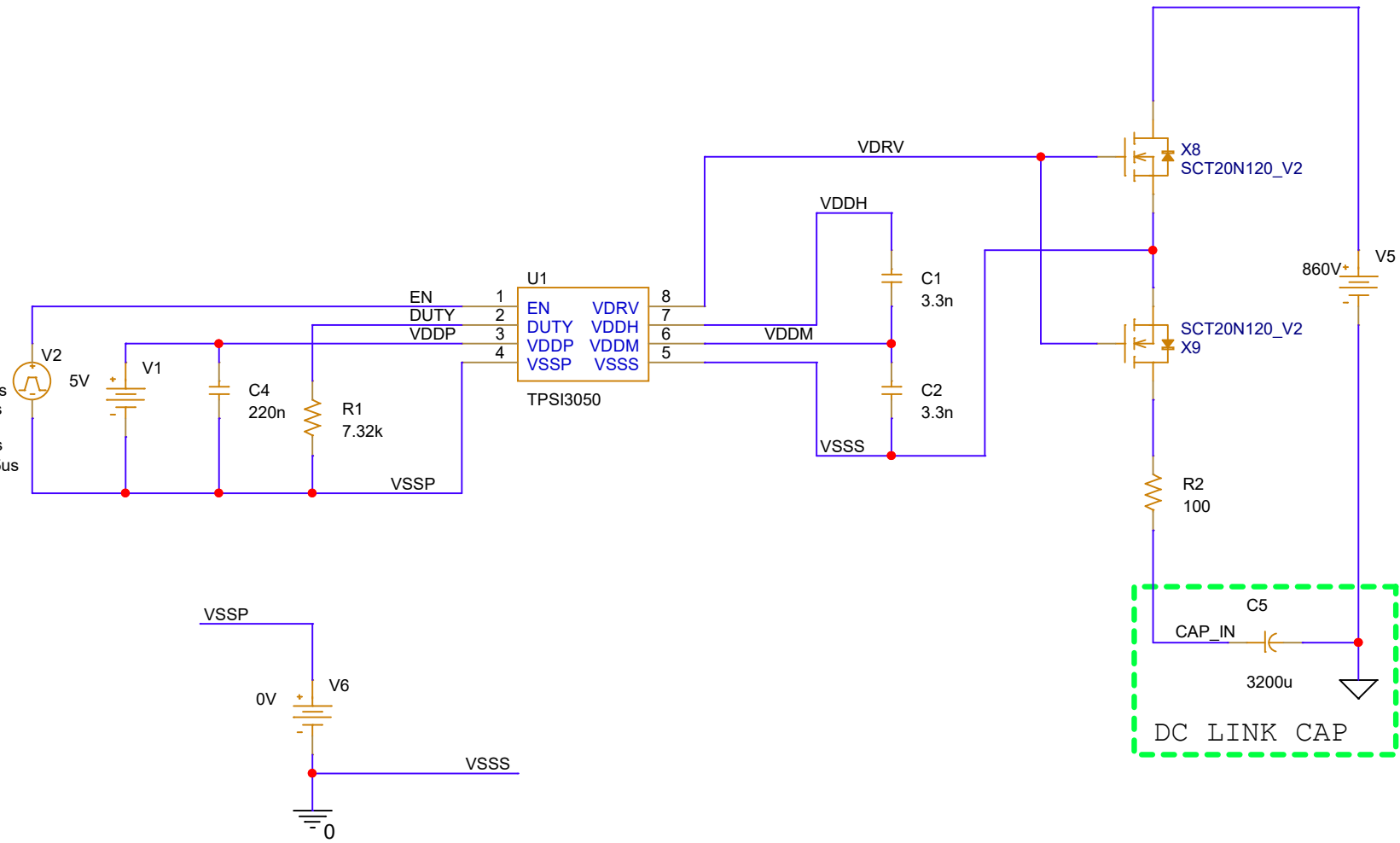


V1 = 0V
V2 = 5V
TD = 250us
TR = 0.1us
TF = 0.1us
PW = 85us
PER = 335us



C5
CAP_IN
3200u
DC LINK CAP