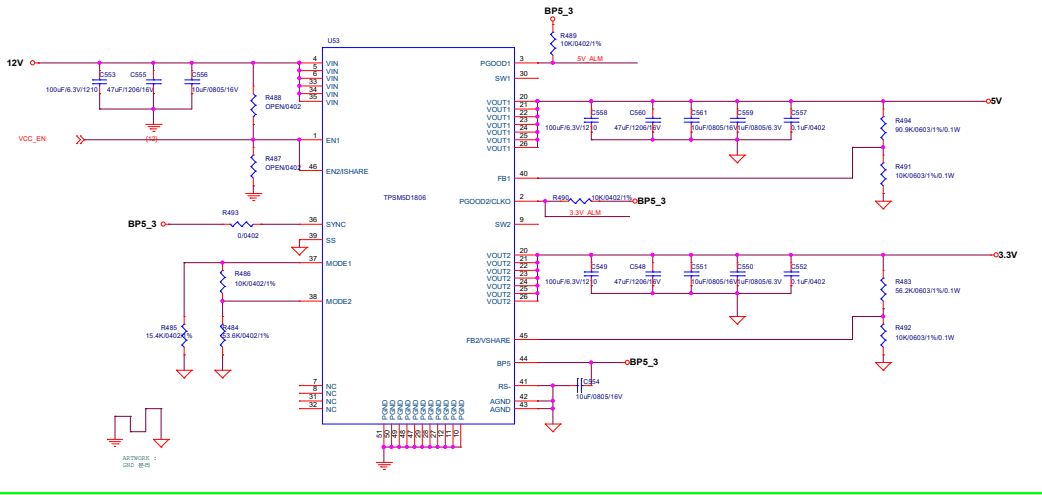
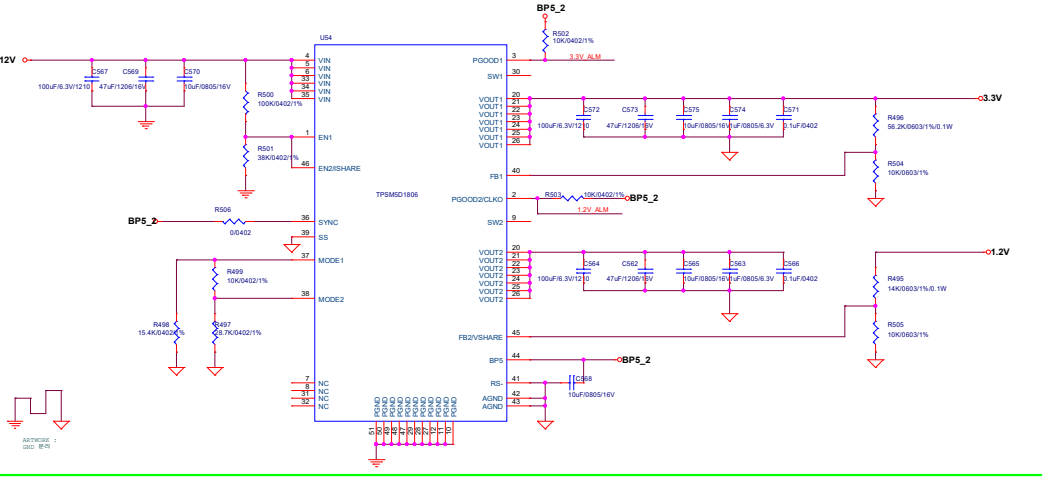


## 12V to 5V and 3.3V Dual DC-DC Converter



## 12V to 3.3V and 1.2V Dual DC-DC Converter



File	<Title>	Rev	<Rev>
Doc	Document Number		
Rev	<Rev>		
Date	Tuesday, February 23, 2011	Sheet	1 of 1