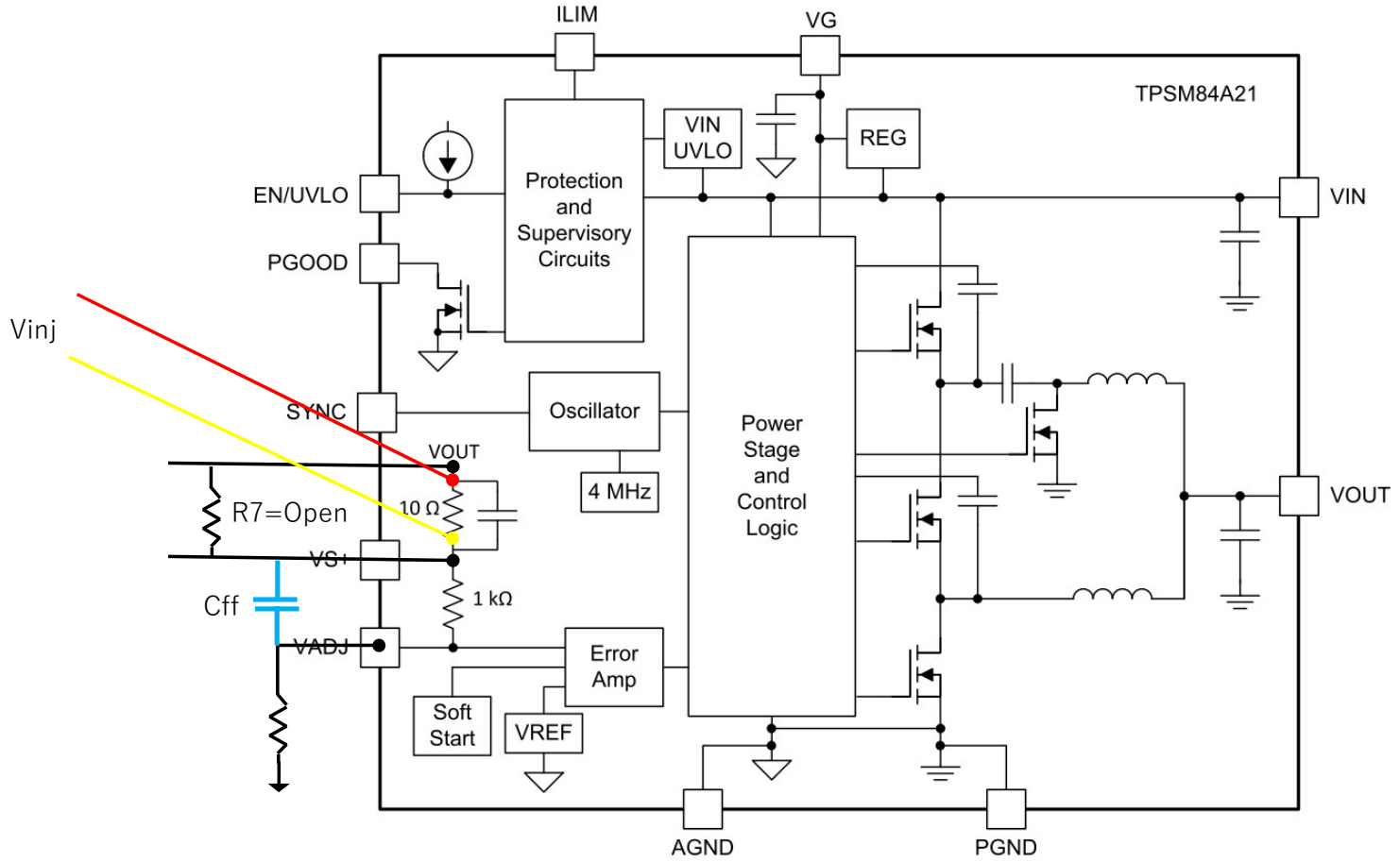
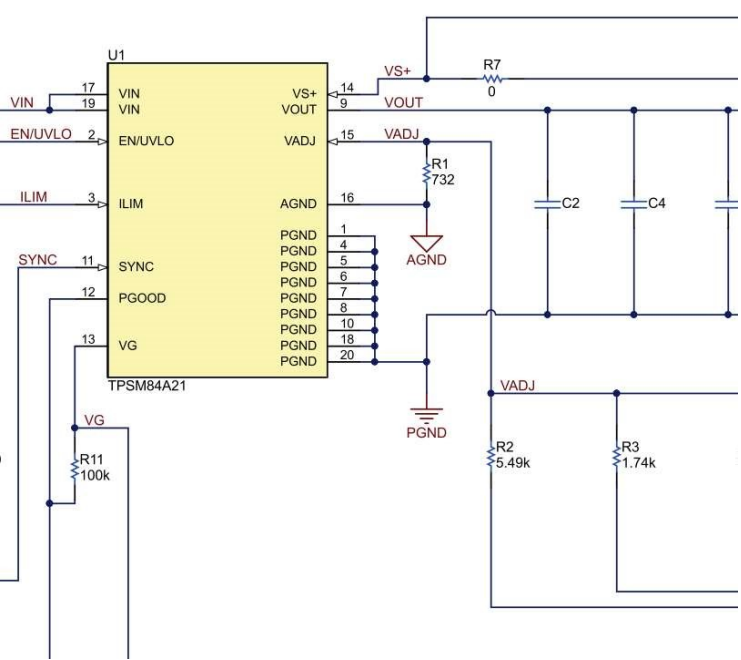


# How to measure



Vinj

Vinj