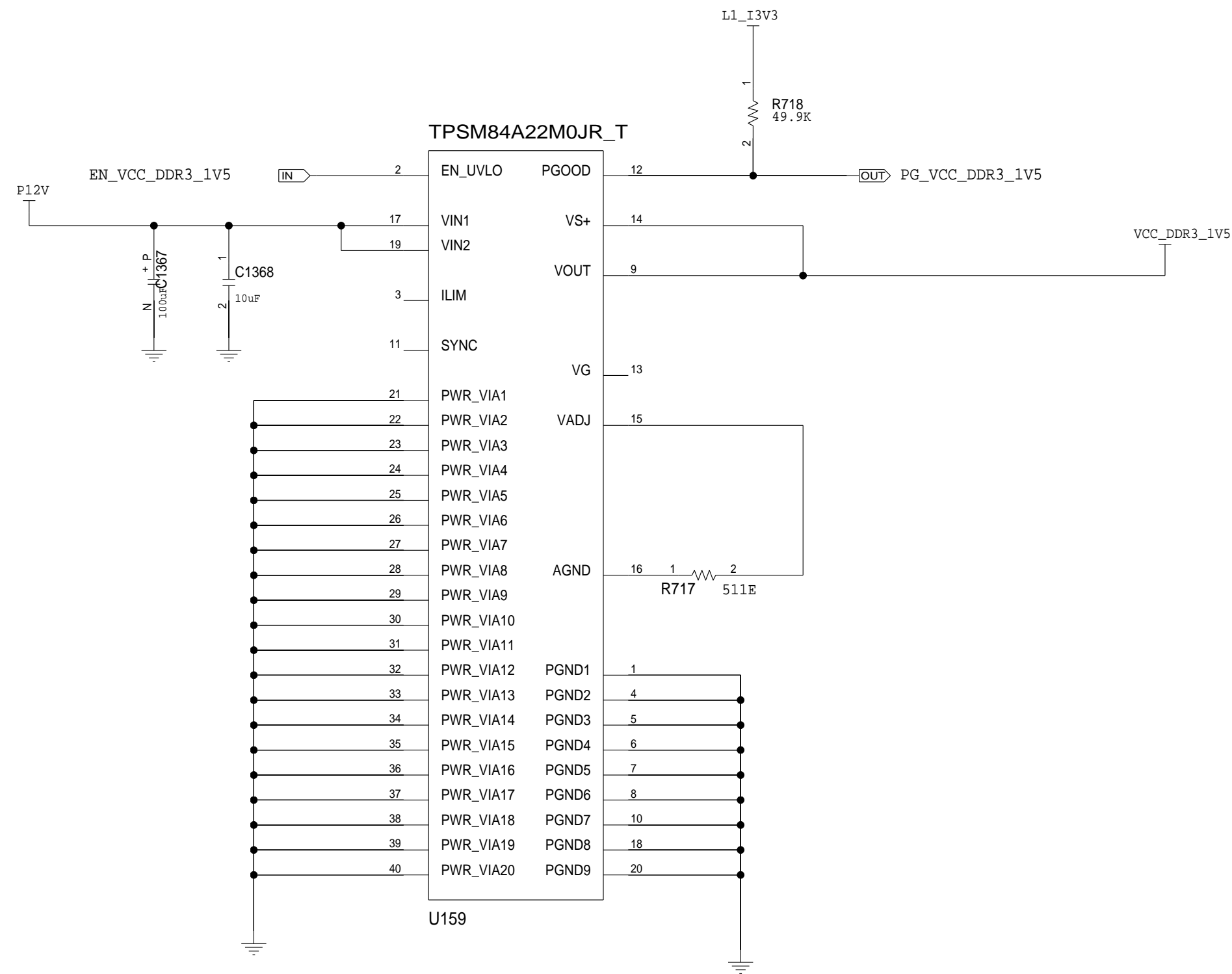
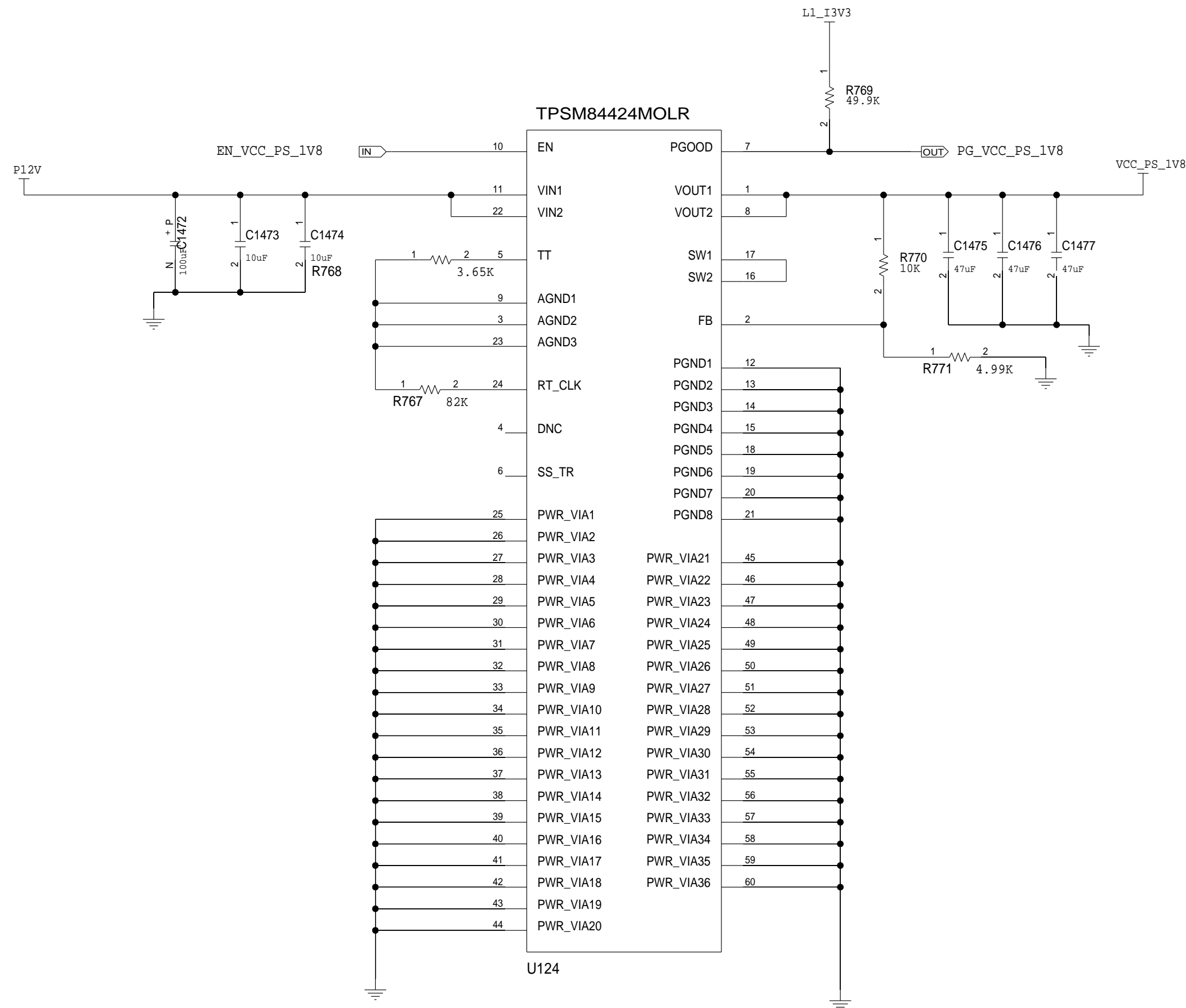


TPSM84A22: 1.9V@10A

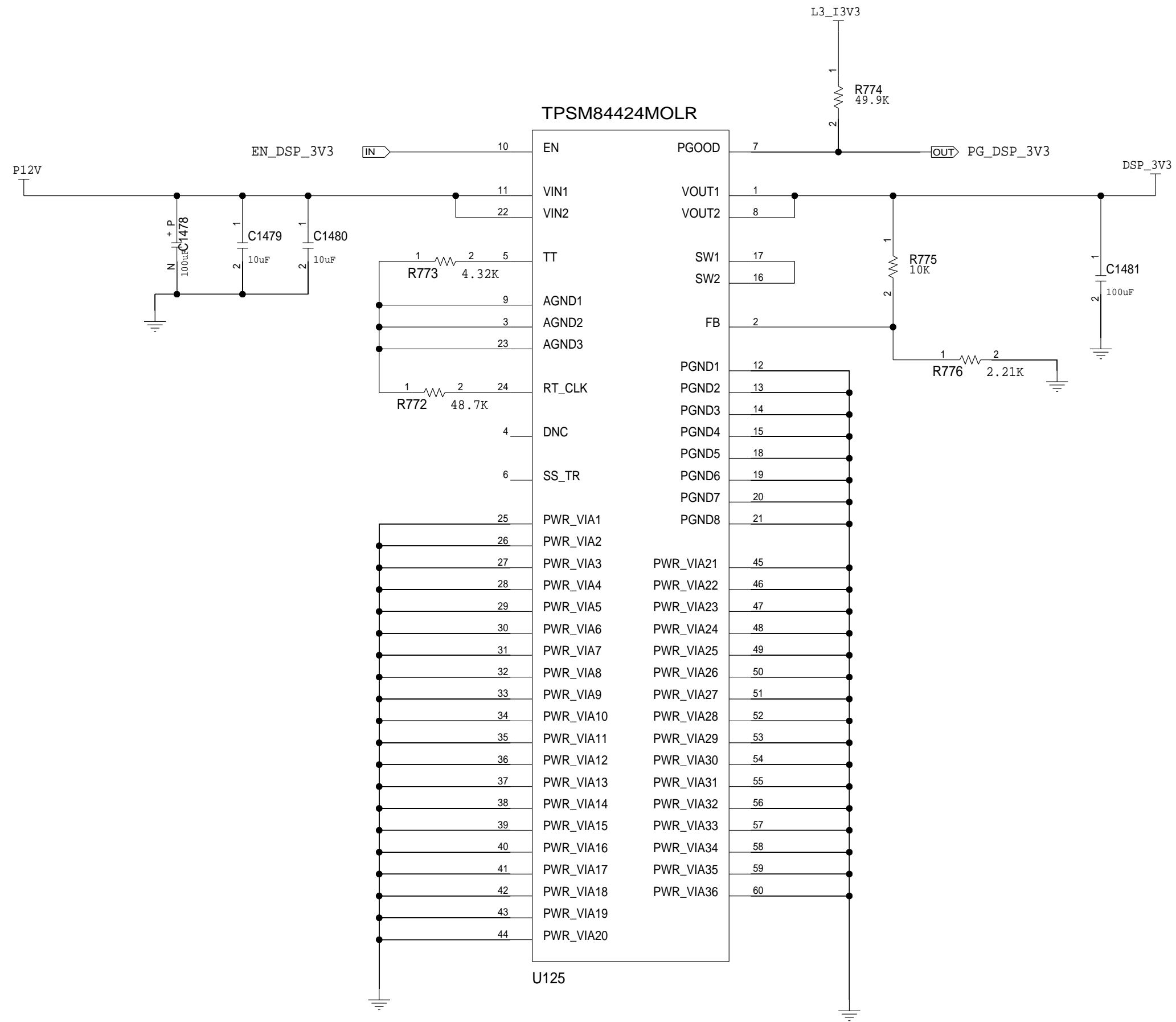


TPSM84A22: 1.5V@10A



TPSM84424: 1.8V@4A

TPSM84424: 3.3V@4A



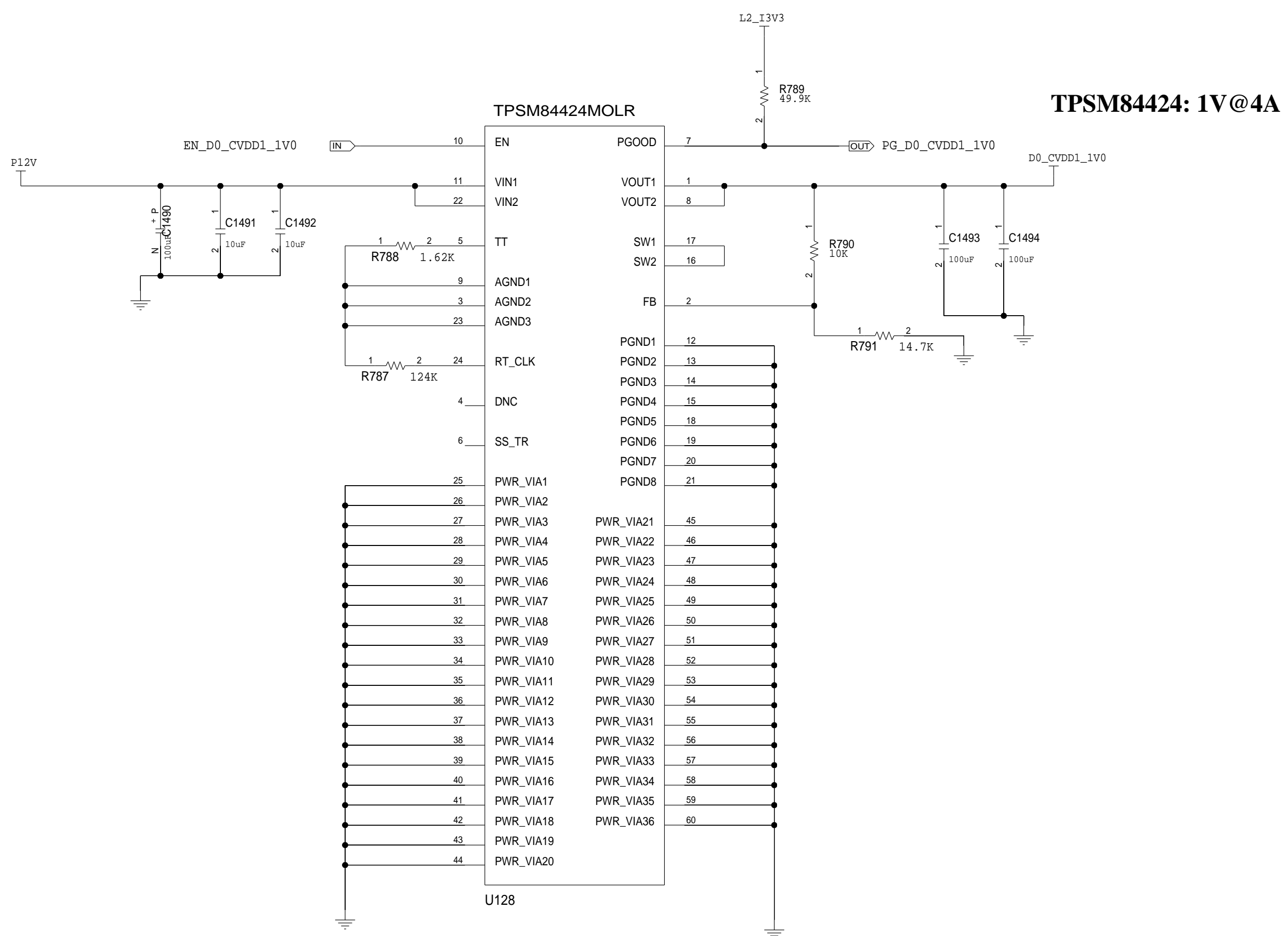
TPSM84424MOLR

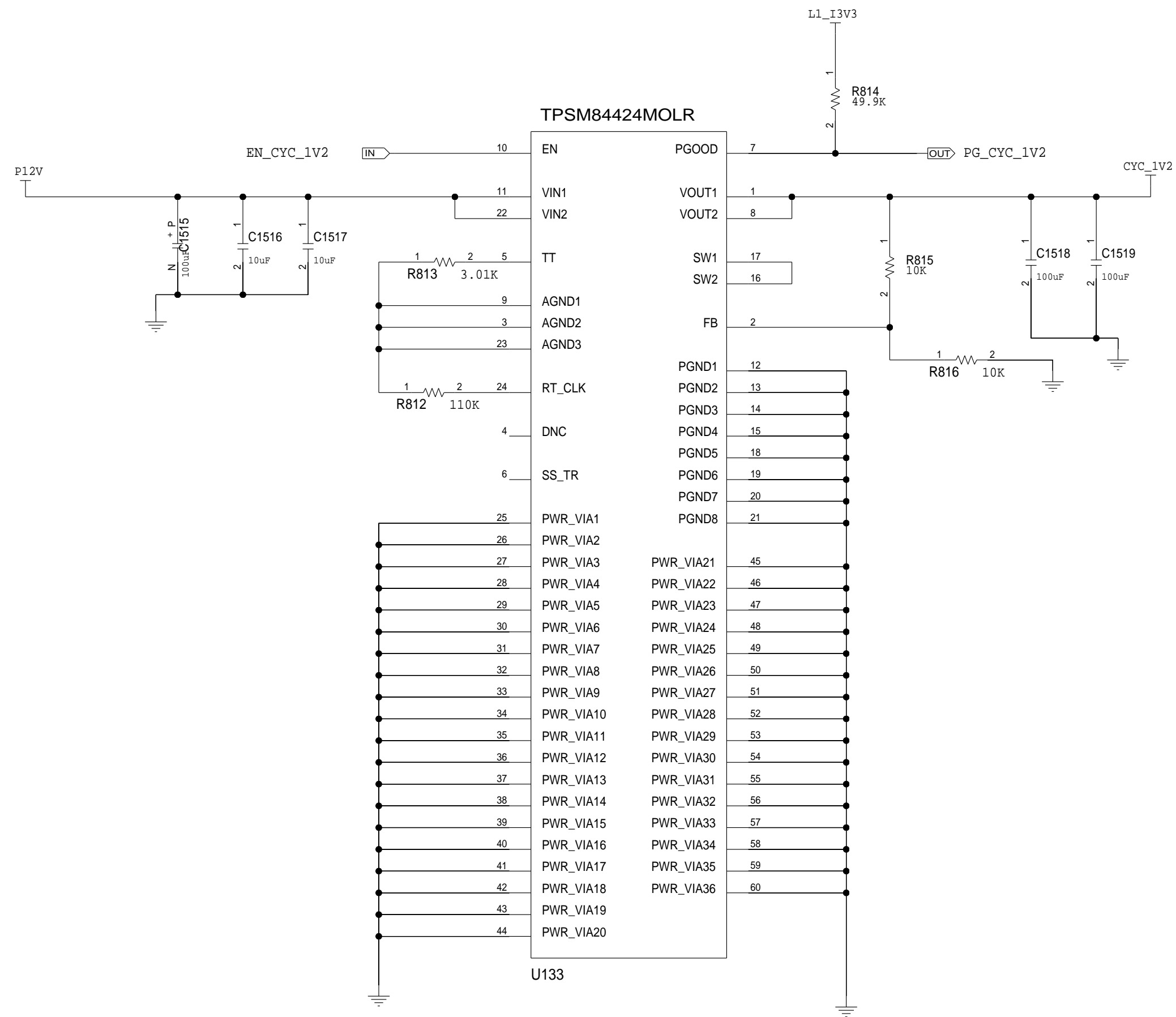
U125

E
D
C
B
A

E
D
C
B
A

E
D
C
B
A





TPSM84424: 1.2V@4A

E
D
C
B
A

E
D
C
B
A

