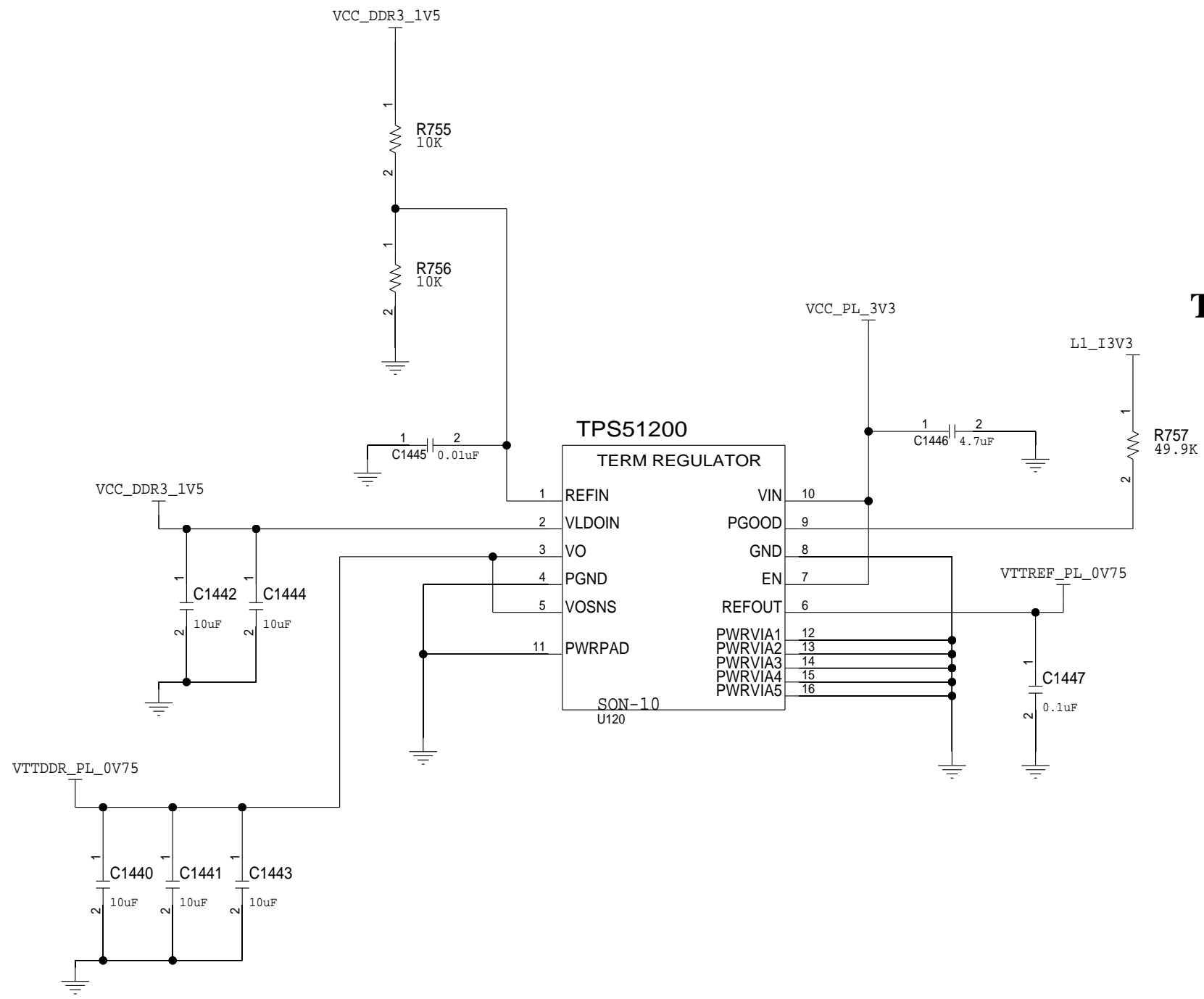


TPS7A91: 1.8V@50mA

TPS51200: 0.75V VTT Termination and VRef



E

D

C

B

A

8

7

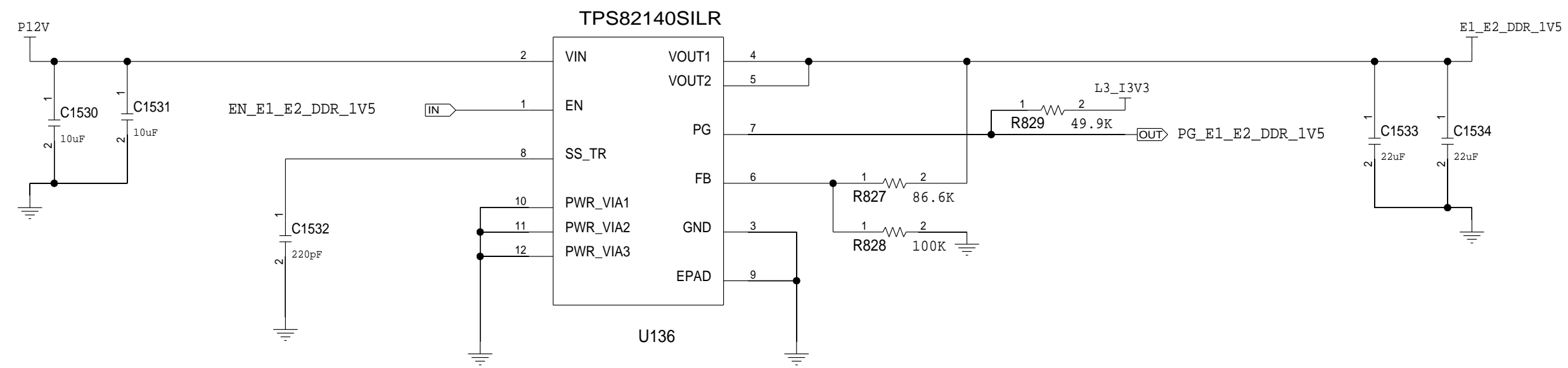
6

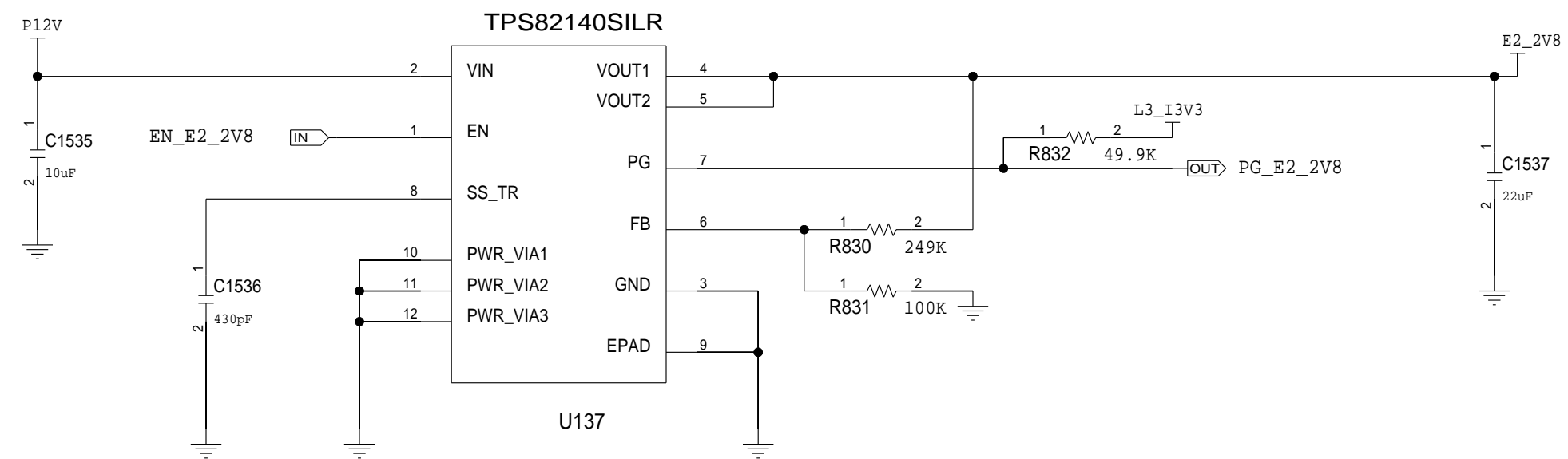
5

4

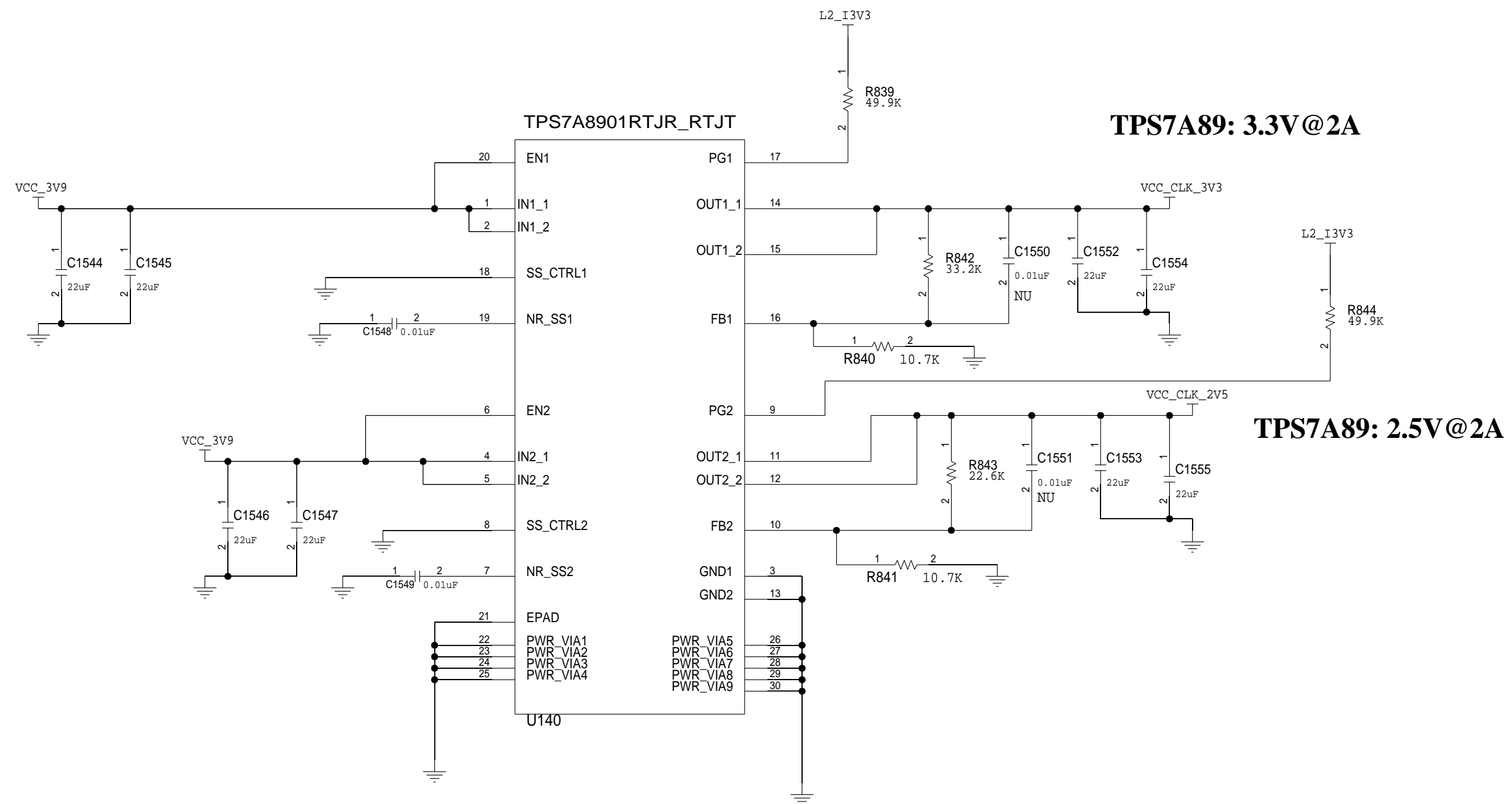
3

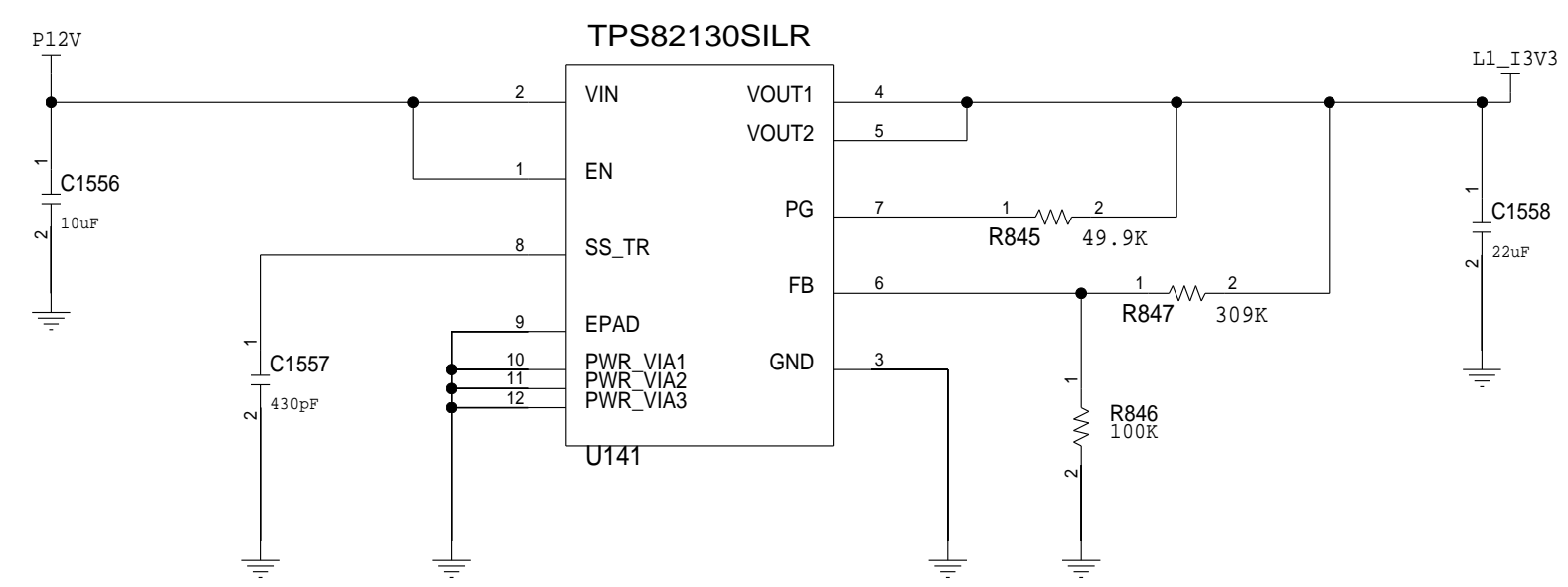
TPS82140: 1.5V@2A





TPS82140: 2.8V@2A





TPS82130: 3.3V@3A

E
D
C
B
A

E
D
C
B
A