



Flyback Transformer Surface Mount Magnetics



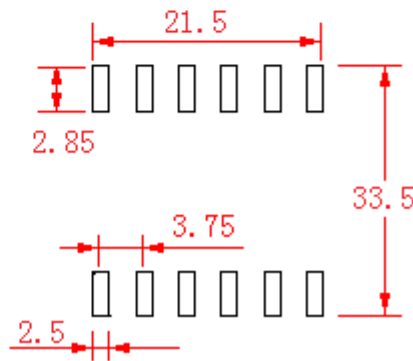
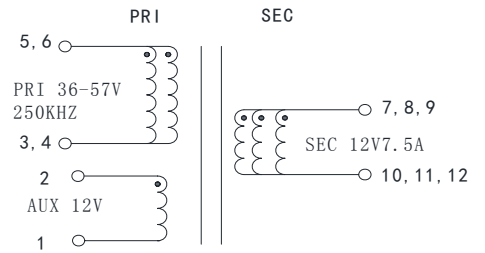
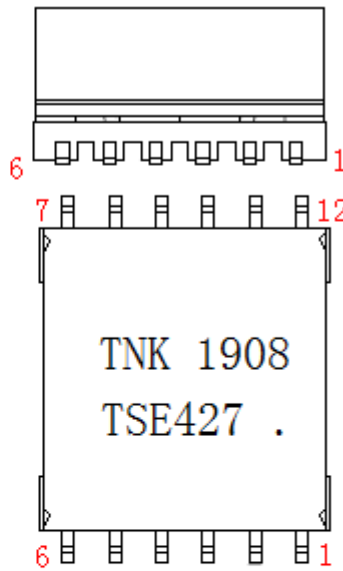
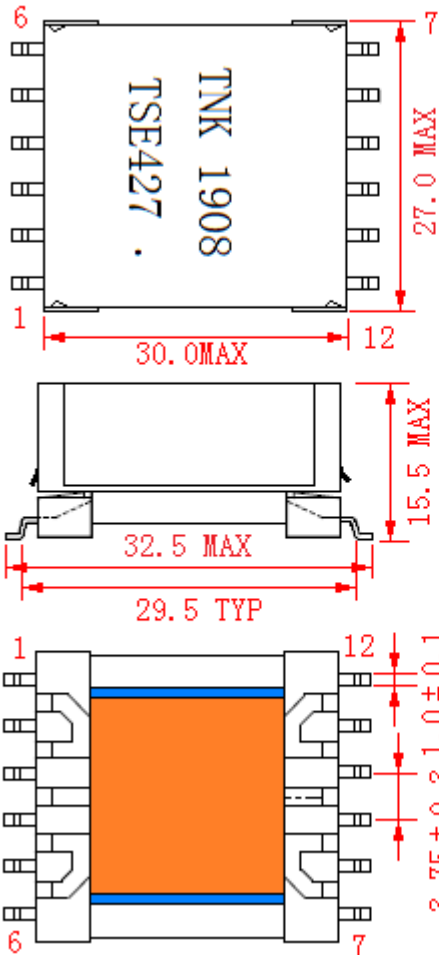
- ✚ Flyback Transformer
- ✚ RoHS compliance product
- ✚ Operating temperature range:-40°C to +105°C
- ✚ Storage temperature range:-40°C to +105°C

Electrical Specifications @ 25°C

Part Number	OCL (250KHz, 0.1V)	LK (250KHz, 0.1V)	T/R (30KHZ1.0V)	DCR (mΩ MAX)			Hi-Pot VAC (1mA,3S)
	5,6-3,4	5,6-3,4(short other pin)	5,6-3,4:2-1:7,8,9-10,11,12	5,6-3,4	2-1	7,8,9-10,11,12	PRI TO SEC
TSE427	100uH±10%	0.5 uH Max	12:6:6±2%	20	200	6.5	1000

Mechanical

Schematic



注意, 产品脚位顺序为逆时针方向数法.

NOTE:

- 1、Dimensions:mm;
- 2、 Unless otherwise specified,tolerances:±0.25(mm);

东莞市讯康电子科技股份有限公司
 地址: 广东省东莞市塘厦镇林村里牙塘工业区 145 号
 TEL:(86)769-87923451 FAX:(86)769-87923450
 WEBSITE:http://www.tnk.net.cn