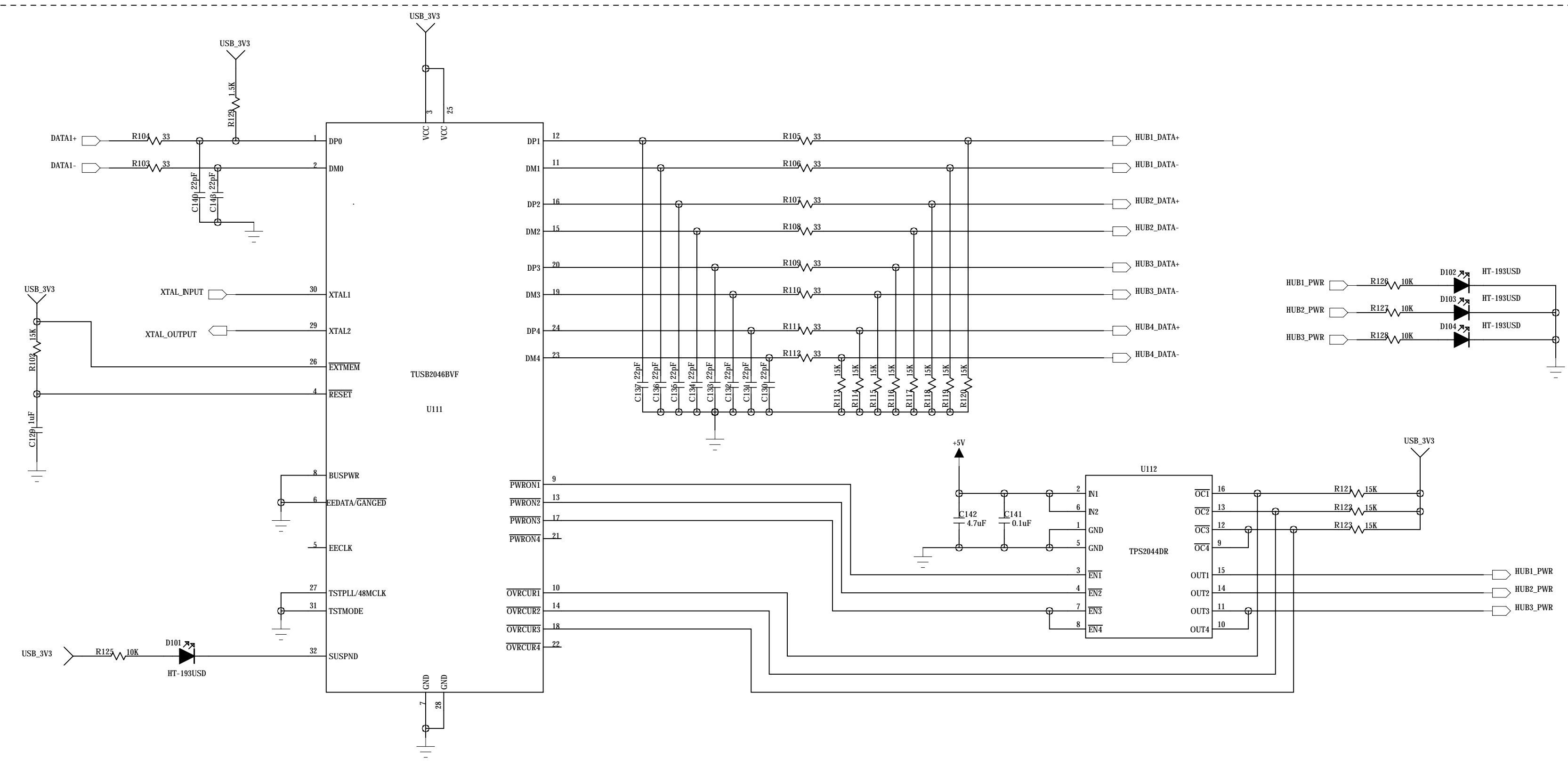
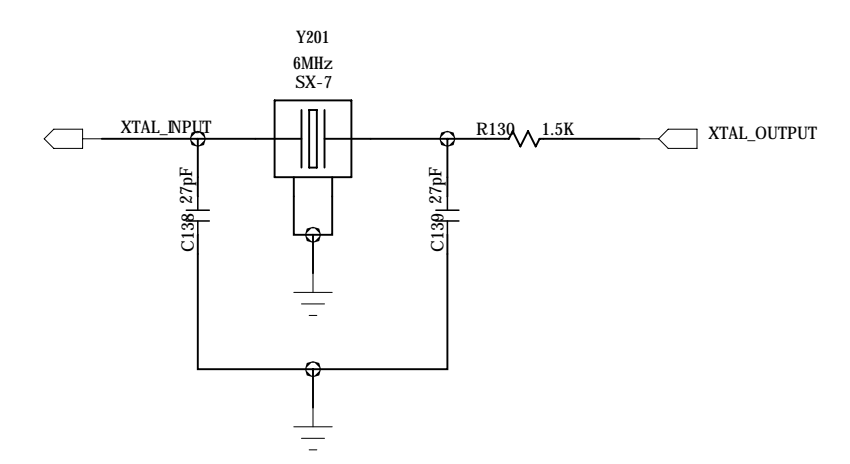
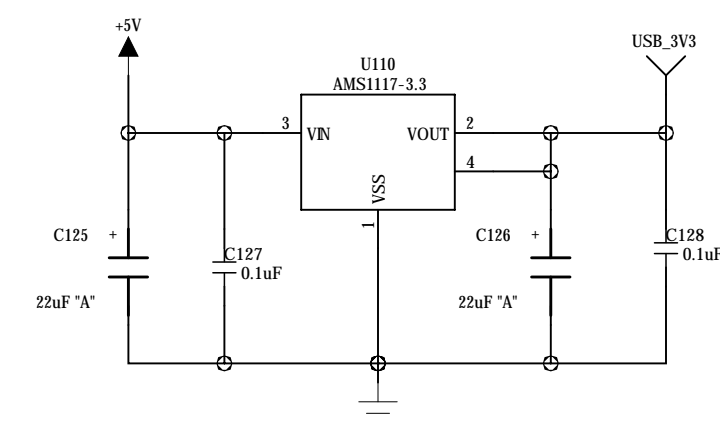


USB 4CH-HUB



I/O EXT(to REAR PORT BOARD)

