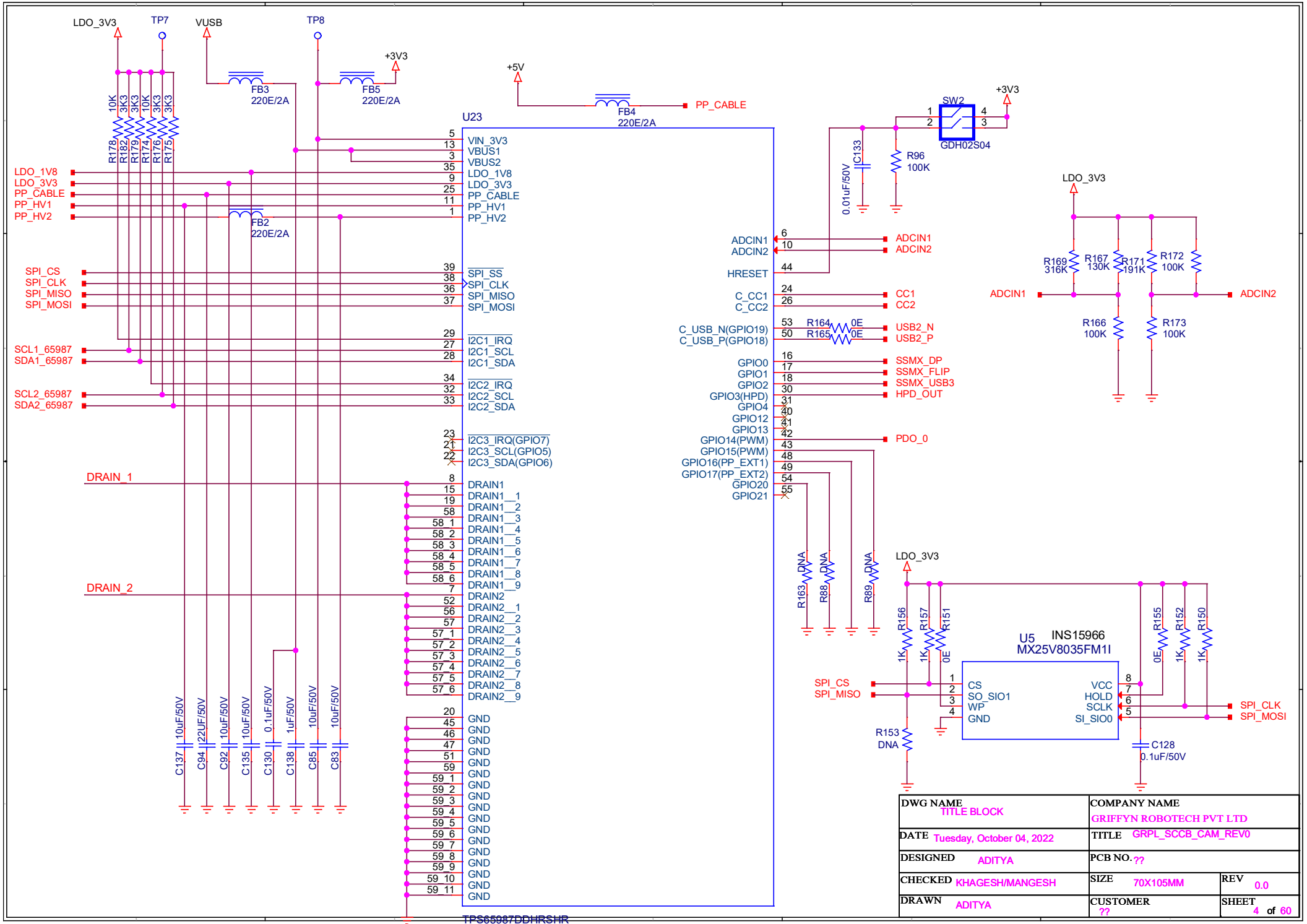


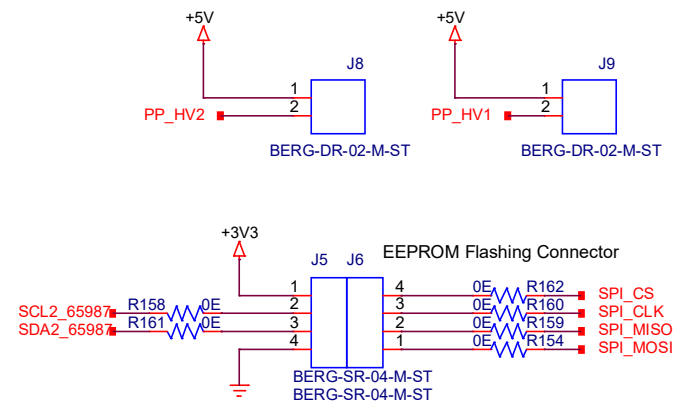
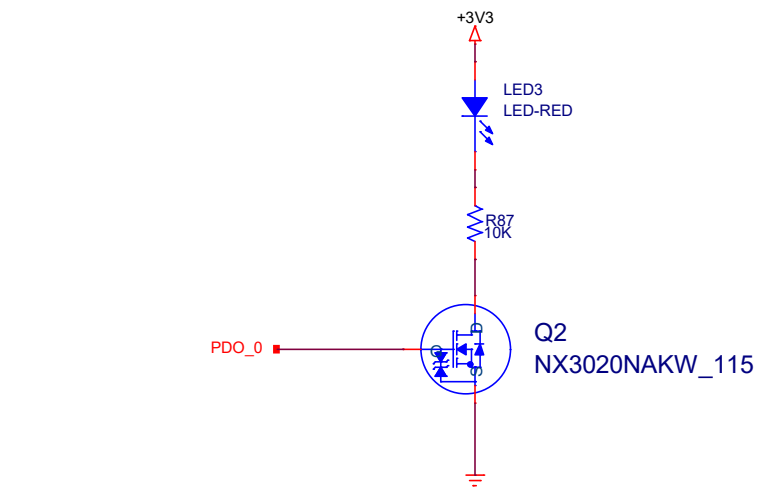
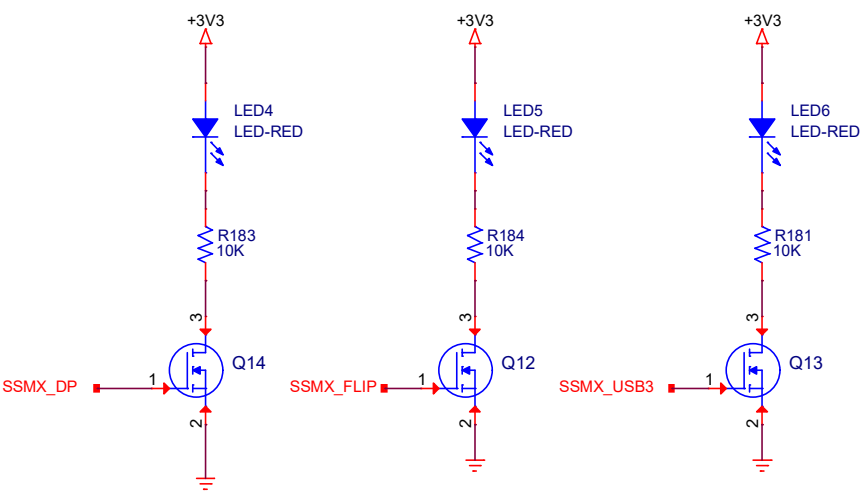
HPDIN R48 0E HPD_OUT
 CTL0 R38 0E SDA1_65987
 FLIP R129 0E SCL1_65987

DWG NAME TITLE BLOCK		COMPANY NAME GRIFFYN ROBOTECH PVT LTD	
DATE Tuesday, October 04, 2022		TITLE GRPL_SCCB_CAM_REV0	
DESIGNED ADITYA		PCB NO.??	
CHECKED KHAGESH/MANGESH	SIZE 70X105MM	REV 0.0	
DRAWN ADITYA	CUSTOMER ??	SHEET 3 of 80	



DWG NAME		COMPANY NAME	
TITLE BLOCK		GRIFFYN ROBOTECH PVT LTD	
DATE	Tuesday, October 04, 2022	TITLE GRPL_SCCB_CAM_REV0	
DESIGNED	ADITYA	PCB NO.??	
CHECKED	KHAGESH/MANGESH	SIZE 70X105MM	REV 0.0
DRAWN	ADITYA	CUSTOMER ??	SHEET 4 of 60

TPS65987DDHRSR



DWG NAME TITLE BLOCK		COMPANY NAME GRIFFYN ROBOTECH PVT LTD	
DATE Tuesday, October 04, 2022		TITLE GRPL_SCCB_CAM_REV0	
DESIGNED ADITYA		PCB NO.??	
CHECKED KHAGESH/MANGESH	SIZE 70X105MM	REV 0.0	SHEET 5 of 60
DRAWN ADITYA		CUSTOMER ??	