

Green Energy Private Limited

Sheet: /
File: Temple_Solar_Lighting_MPPT.sch

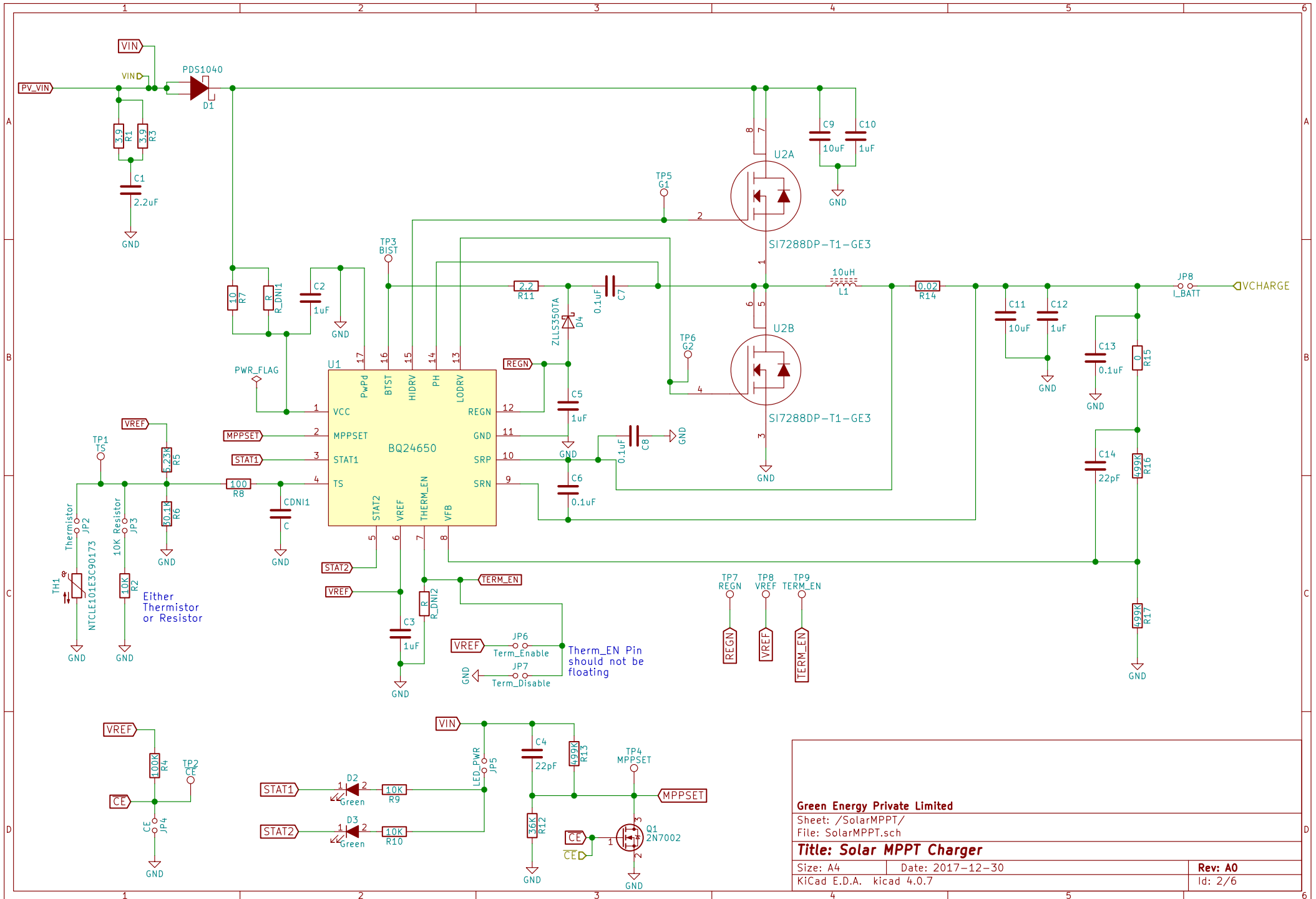
Title: Solar MPPT Charger

Size: A4 Date: 2017-12-30

KiCad E.D.A. kicad 4.0.7

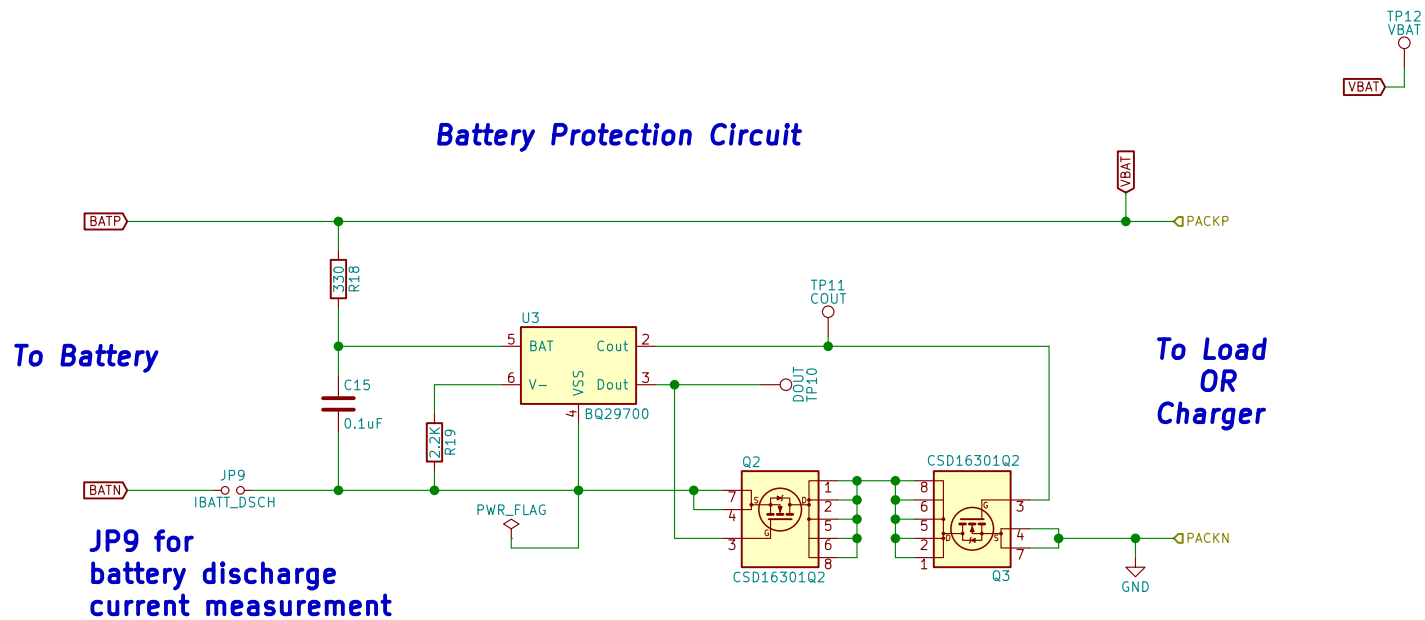
Rev: A0

Id: 1/6



Green Energy Private Limited	
Sheet: /SolarMPPT/ File: SolarMPPT.sch	
Title: Solar MPPT Charger	
Size: A4	Date: 2017-12-30
KiCad E.D.A. kicad 4.0.7	Rev: A0 Id: 2/6

Battery Protection Circuit



To Battery

To Load
OR
Charger

JP9 for
battery discharge
current measurement

Green Energy Private Limited

Sheet: /BATT_PROTECTION_FUELGAUGE/

File: BATT_PROTECTION_FUEL.sch

Title: Solar MPPT Charger

Size: A4

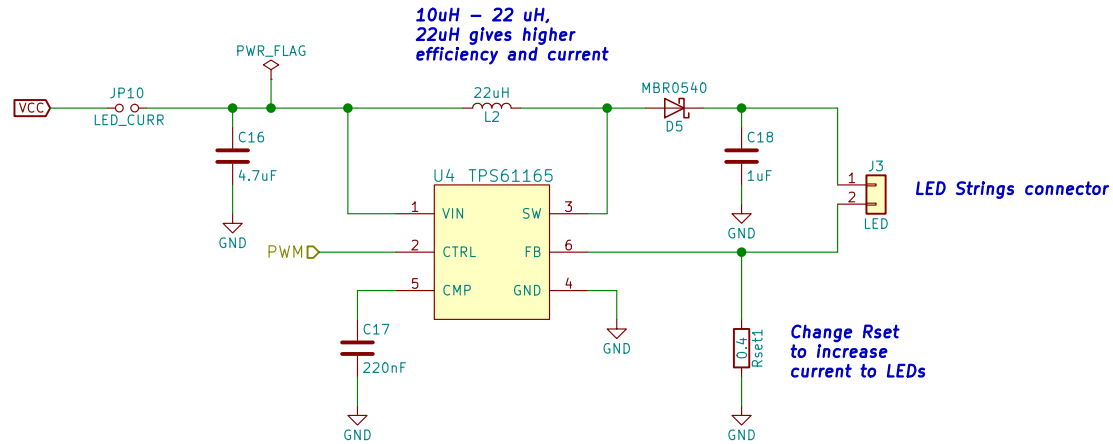
Date: 2017-12-30

Rev: A0

KiCad E.D.A. kicad 4.0.7

Id: 3/6

LED DRIVER



JP10: LED Current Measurement

Green Energy Private Limited

Sheet: /LED_DRIVER/

File: LED_DRIVER.sch

Title: Solar MPPT Charger

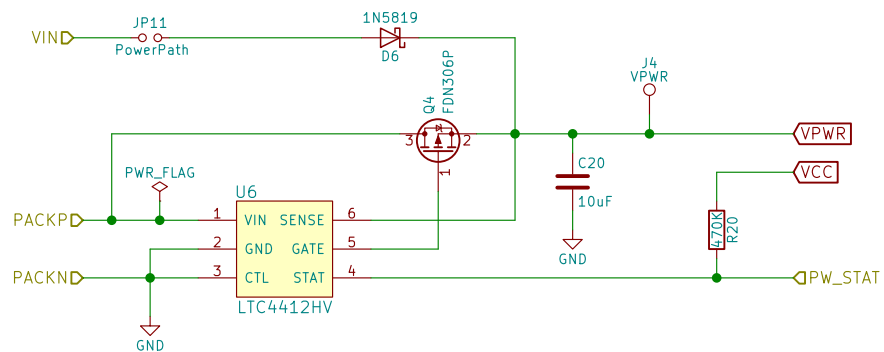
Size: A4 Date: 2017-12-30

KiCad E.D.A. kicad 4.0.7

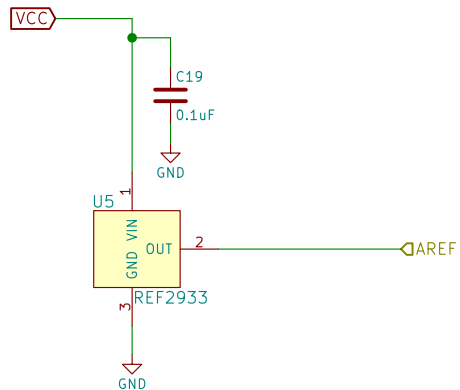
Rev: A0

Id: 4/6

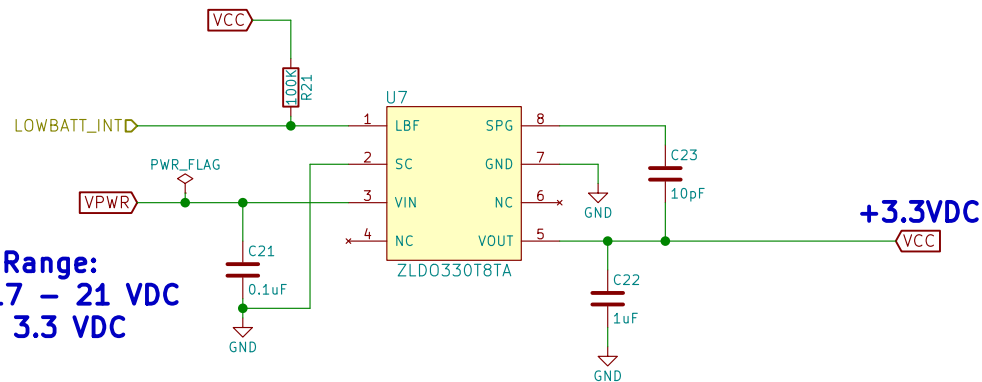
PowerPath Controller



ADC Voltage Reference: +3.3V



LDO for stable Voltage Generation Input: 3V to 35 V



VPWR Voltage Range:
Solar Active: 17 – 21 VDC
Battery: 4.2 – 3.3 VDC

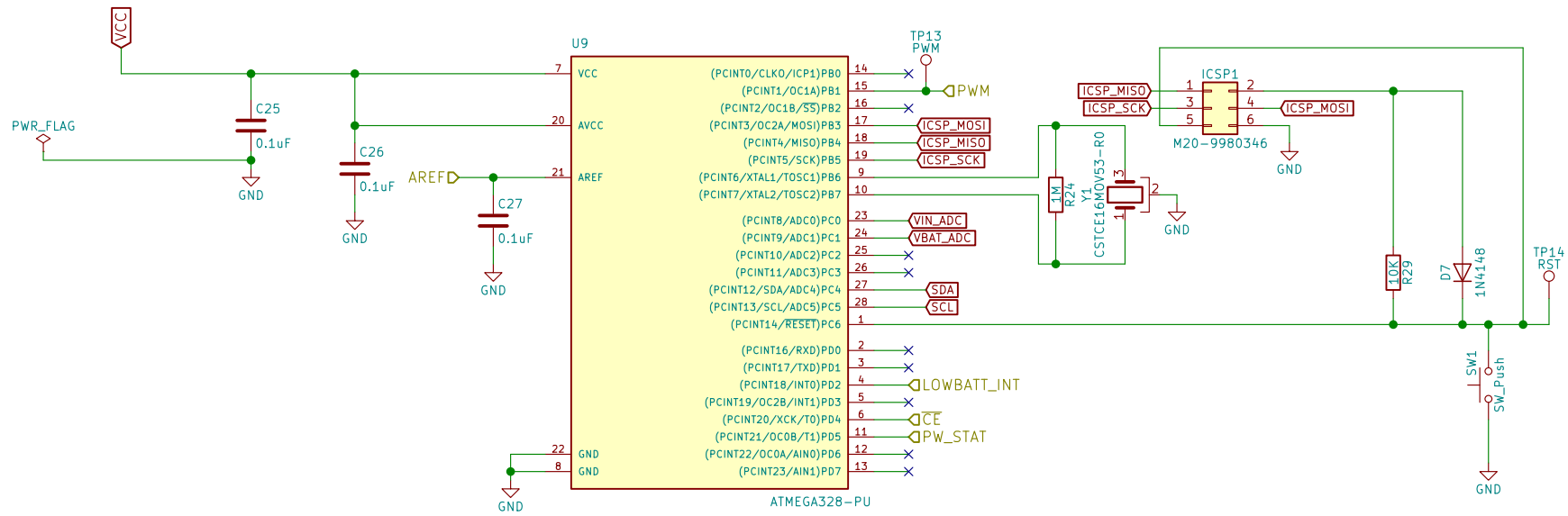
Green Energy Private Limited

Sheet: /VoltageManagement/
File: VoltageManagement.sch

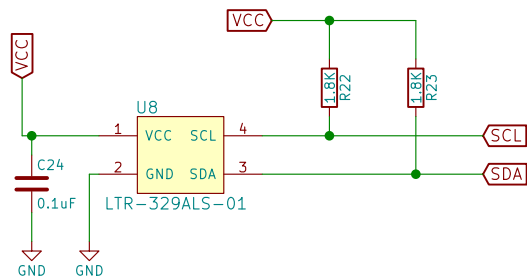
Title: Solar MPPT Charger

Size: A4 Date: 2017-12-30
KiCad E.D.A. kicad 4.0.7

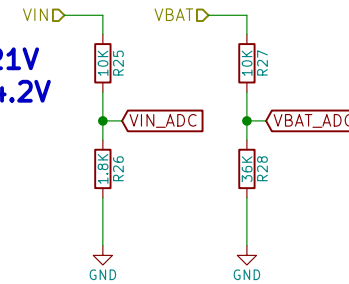
Rev: A0
Id: 5/6



Lux Sensor



VIN: 17.8V – 21V
VBAT: 3.3V – 4.2V



Green Energy Private Limited

Sheet: /MCU_CKT/
 File: MCU_CKT.sch

Title: Solar MPPT Charger

Size: A4 Date: 2017-12-30

KiCad E.D.A. kicad 4.0.7

Rev: A0

Id: 6/6