

1 2 3 4 5 6

TriacSwitchAnalog



File: TSAnalog.kicad\_sch

A

A

TriacSwitchPIC



File: TSPic.kicad\_sch

TriacSwitchSupply



File: TSSupply.kicad\_sch

B

B

C

C

D

D

1 2 3 4 5 6

**SillyCon**

Sheet: /

File: TriacSwitch.kicad\_sch

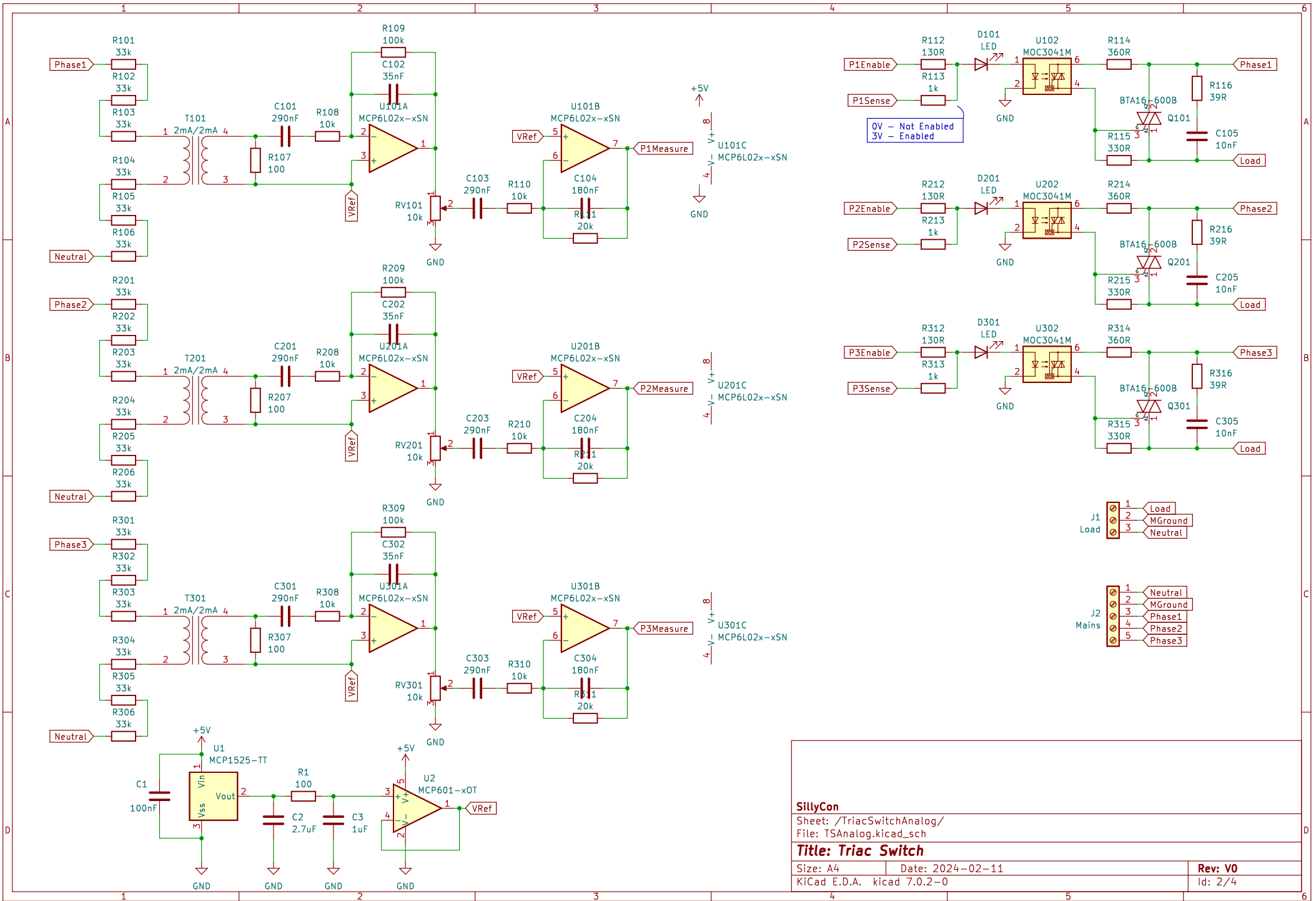
**Title: Triac Switch**

Size: A4 Date: 2024-02-11

Rev: V0

KiCad E.D.A. kicad 7.0.2-0

Id: 1/4



SillyCon

Sheet: /TriacSwitchAnalog/  
File: TSAnalog.kicad\_sch

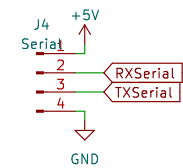
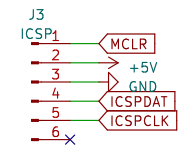
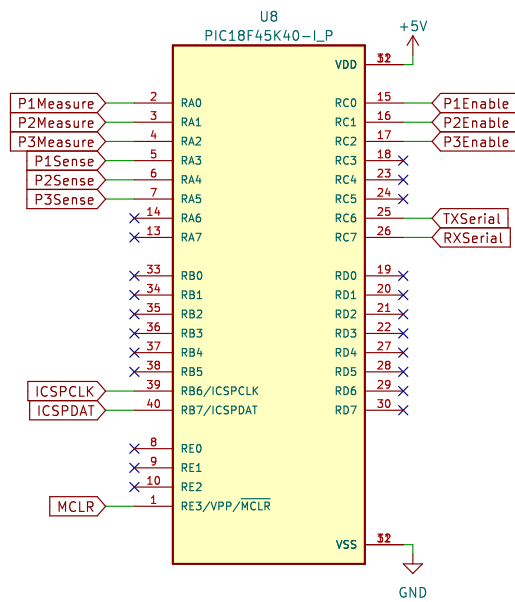
**Title: Triac Switch**

Size: A4 Date: 2024-02-11

KiCad E.D.A. kicad 7.0.2-0

Rev: V0

Id: 2/4



**SillyCon**

Sheet: /TriacSwitchPIC/  
File: TSPic.kicad\_sch

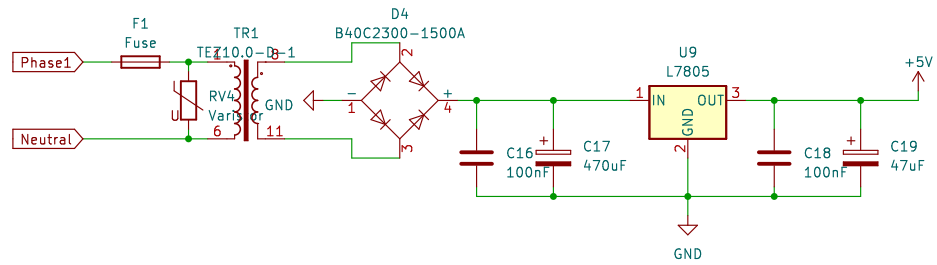
**Title: Triac Switch**

Size: A4 Date: 2024-02-11

KiCad E.D.A. kicad 7.0.2-0

**Rev: V0**

Id: 3/4



**SillyCon**

Sheet: /TriacSwitchSupply/  
File: TSSupply.kicad\_sch

**Title: Triac Switch**

Size: A4 Date: 2024-02-11  
KiCad E.D.A. kicad 7.0.2-0

Rev: V0  
Id: 4/4