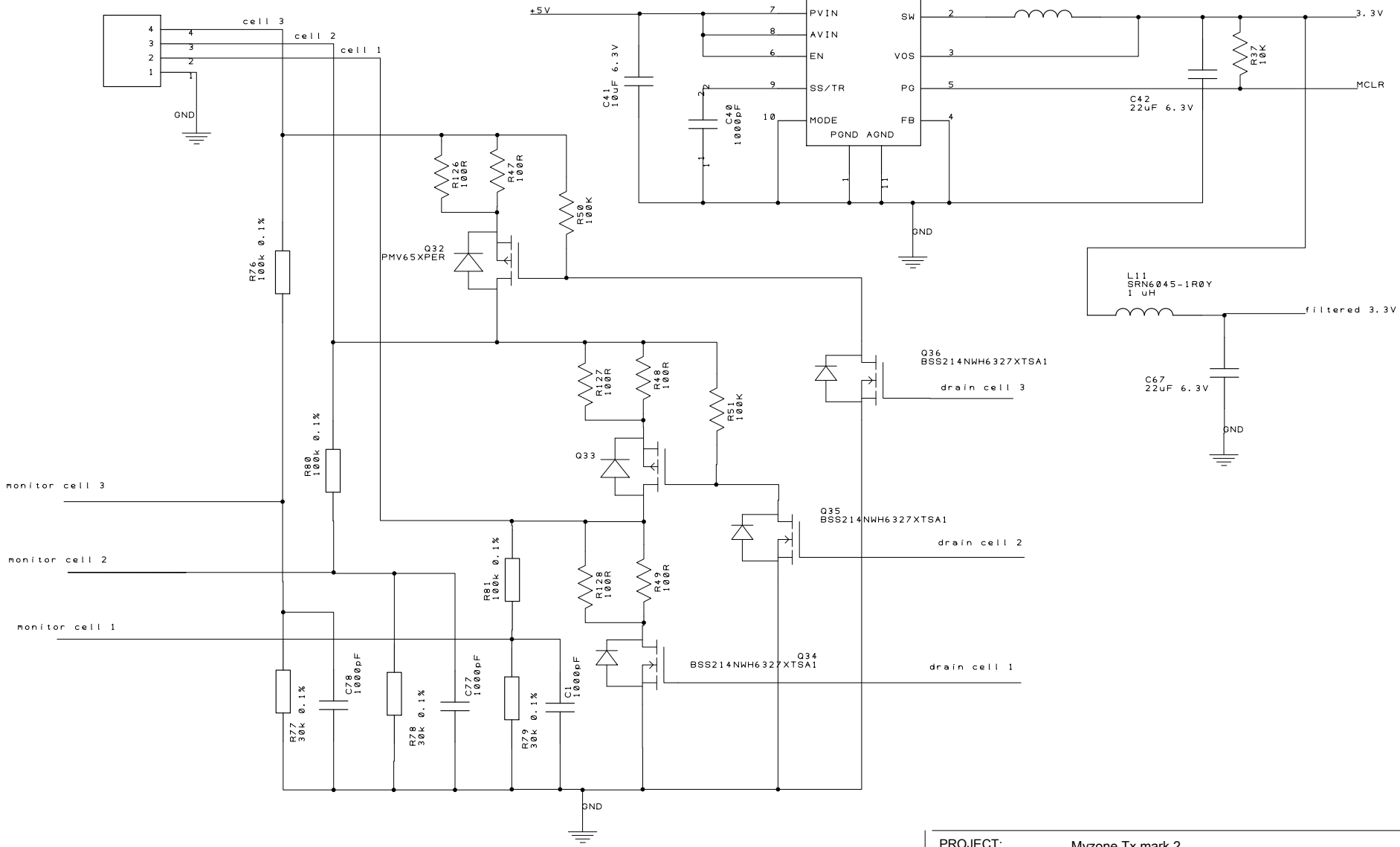


J2
B4B-XH-A(LF)(SN)
SHDR4W64P0X250_1X4_1240X575X70

IC4
TPS6209733RWKR

L10
SRN6045-1R0Y
1 uH



PROJECT: Myzone Tx mark 2	
DRAWING TITLE: 3 volt rail and battery cell monitor	
DRAWN BY: Barry Hills	
REVISION: E08	
SHEET: 9 OF 10	STATUS:
DATE: 23rd February 2019	Copyright BarryHillsConsulting