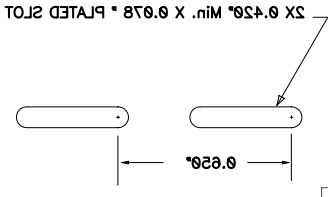
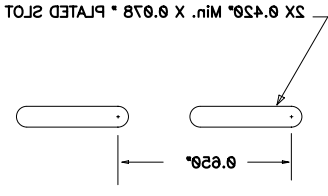


<b>TEXAS INSTRUMENTS</b>		Copper Layer Name		Silkscreen		S Mask		P Mask		Assembly		Fab Drawing
		Top	Bot	Top	Bot	Top	Bot	Top	Bot	Top	Bot	
Board No.	Rev.	L1										
HPA341	B											
Date: 03-10-11	Filename: HPA341B.pcb	Engineer: Hong Huang	PCB Dsgnr: E.Archambault	Modified Date: Mon Oct 03, 2011				Time Stamp: 10:50:00				



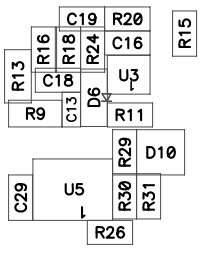
Date: 03-10-11		Filename: HPA341B.pcb		Engineer: Hong Huan		PCB Design: F. Archambault		Modified Date: Mon Oct 03, 2011		Time Stamp: 10:20:01	
Board No.		HPA341		Rev.		B					
Copper Layer Name		Top		Bot		Silkscreen		2 Mask		P Mask	
Top		Bot		Top		Bot		Top		Bot	
Bot		Top		Bot		Top		Bot		Top	
Top Drawing		BA									

TEXAS INSTRUMENTS



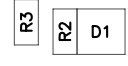
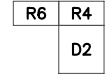
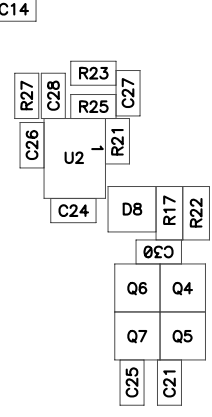
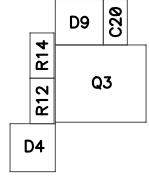
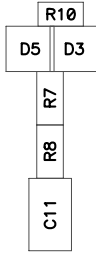
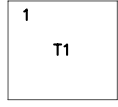
R5

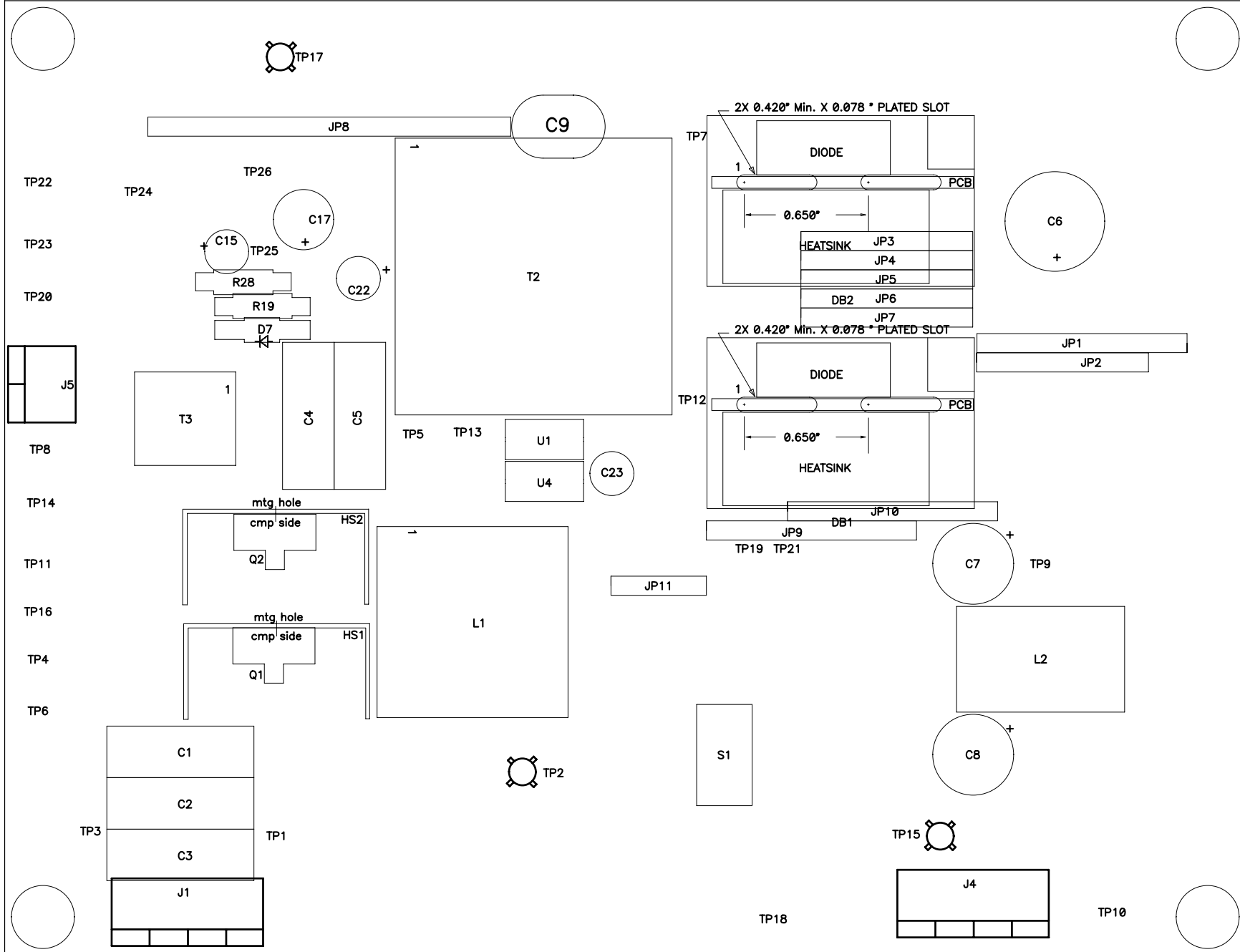
C10



C12

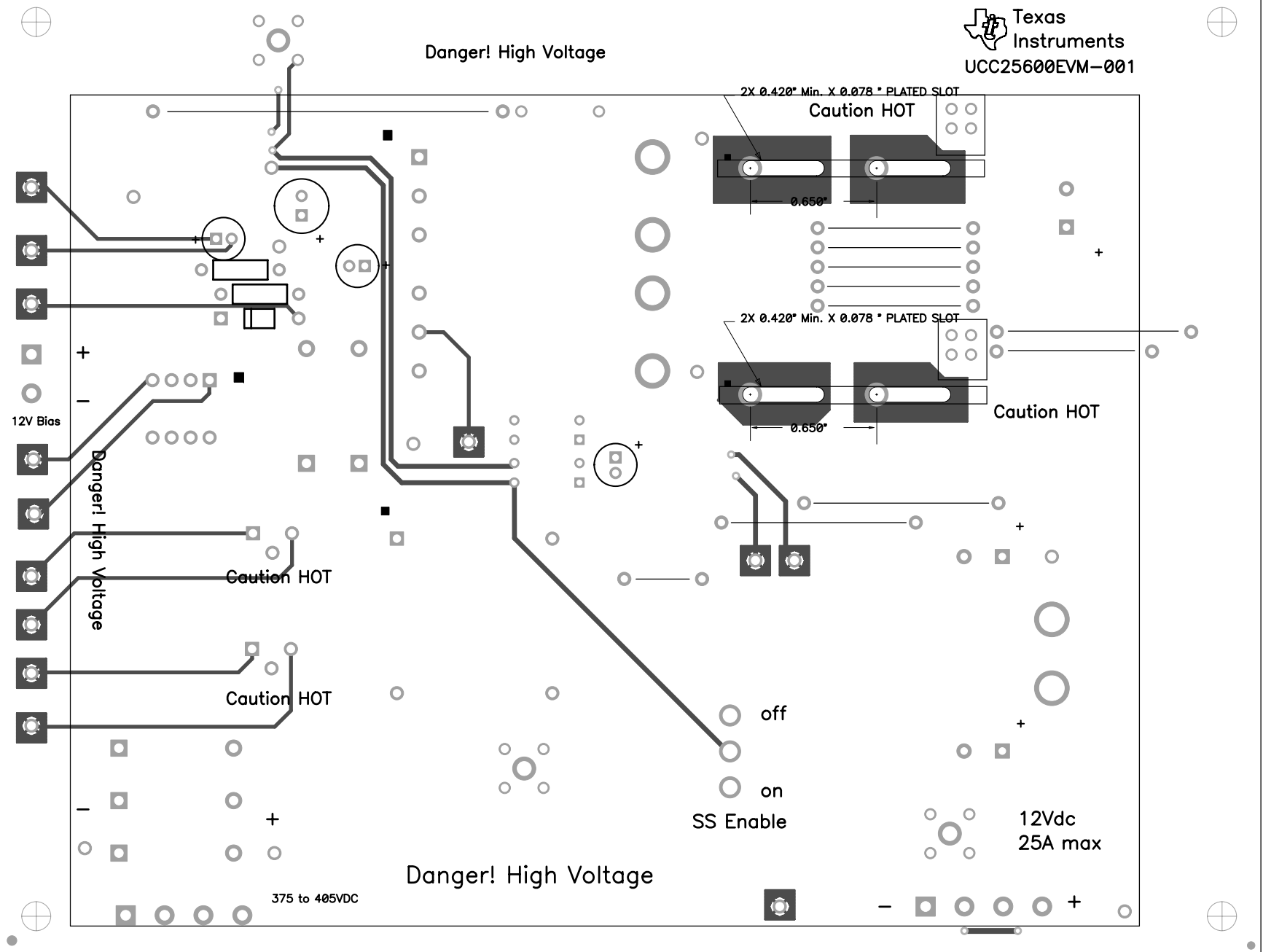
R1





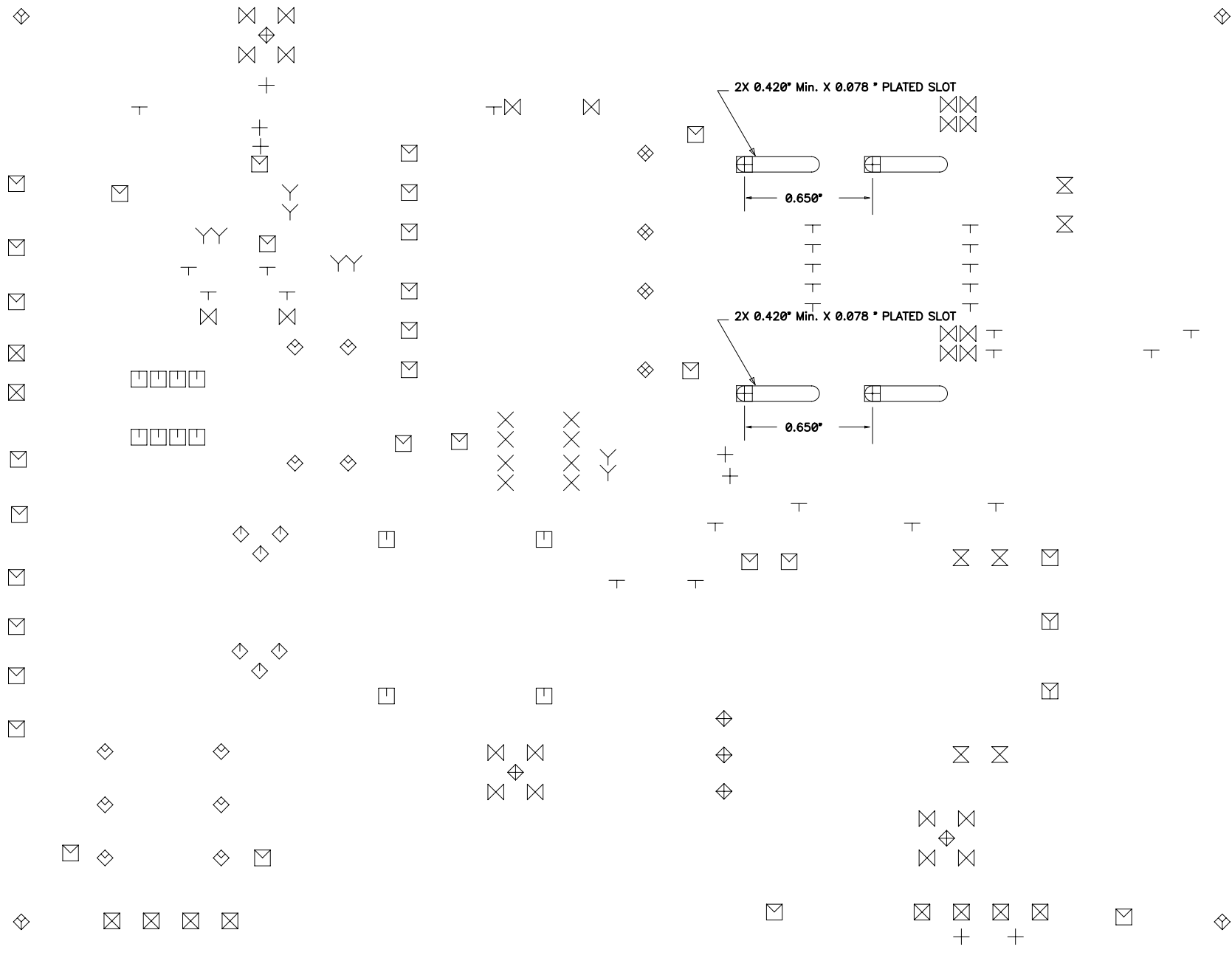
TEXAS INSTRUMENTS		Copper Layer Name		Silkscreen		S Mask		P Mask		Assembly		Fab Drawing
		Top	Bot	Top	Bot	Top	Bot	Top	Bot	Top	Bot	
Board No.	Rev.									TA		
HPA341	B											
Date: 03-10-11	Filename: HPA341B.pcb	Engineer: Hong Huang	PCB Dsgnr: E.Archambault	Modified Date: Mon Oct 03, 2011				Time Stamp: 10:50:01				

Danger! High Voltage



TEXAS INSTRUMENTS

Copper Layer Name		Silkscreen		S Mask		P Mask		Assembly		Fab Drawing
		Top	Bot	Top	Bot	Top	Bot	Top	Bot	
Board No.	Rev.	L1		S1						
HPA341	B									



TEXAS INSTRUMENTS		Copper Layer Name		Silkscreen		S Mask		P Mask		Assembly		Fab Drawing
		Top	Bot	Top	Bot	Top	Bot	Top	Bot	Top	Bot	
Board No.	HPA341	Rev.	B									
Date:	03-10-11	Filename:	HPA341B.pcb	Engineer:	Hong Huang	PCB Dsgnr:	E.Archambault	Modified Date:	Mon Oct 03, 2011	Time Stamp:	10:50:02	

