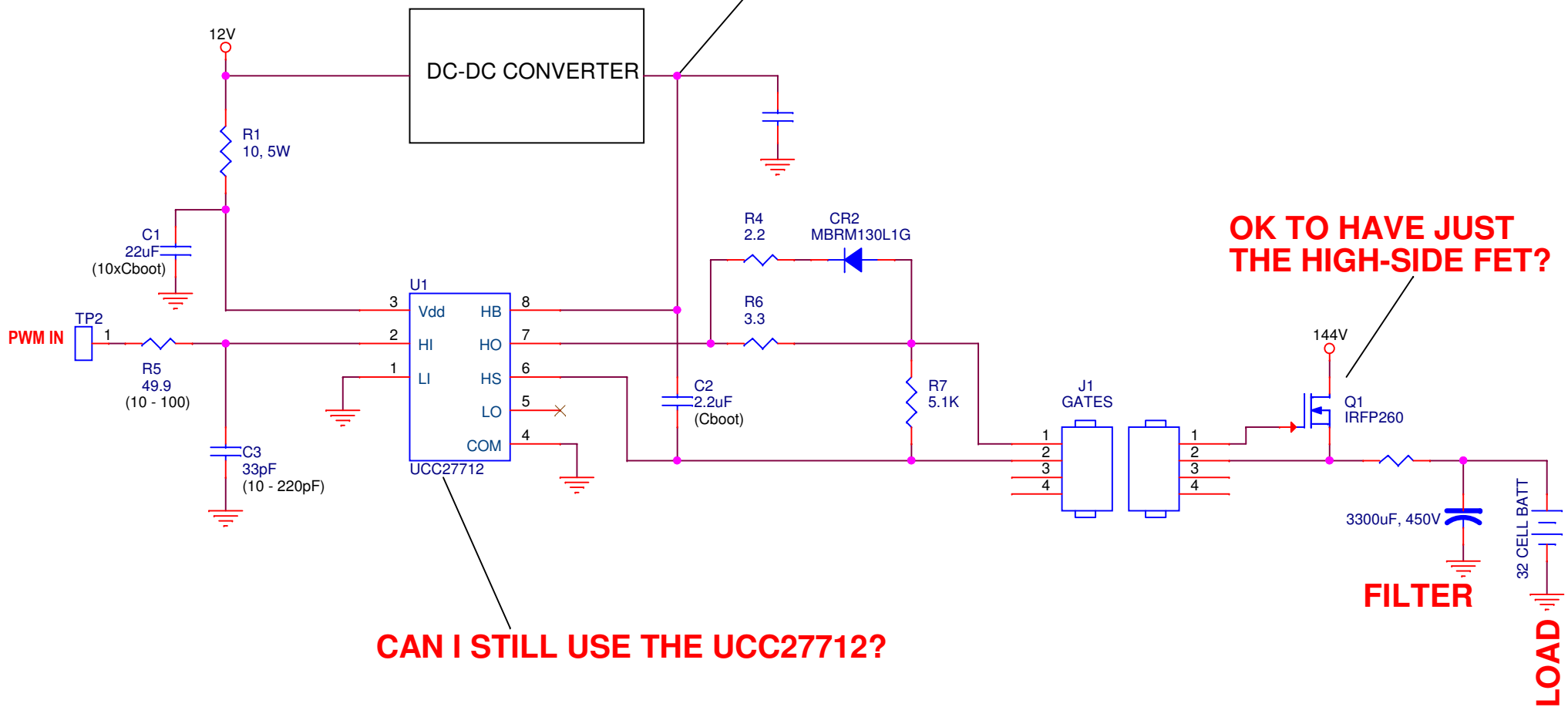


MODEL NUMBER OF A TI DC-DC CONVERTER THAT CAN DO THE JOB?

OUTPUT VOLTAGE??



OK TO HAVE JUST THE HIGH-SIDE FET?

CAN I STILL USE THE UCC27712?

WILL THIS CIRCUIT WORK TO CHARGE THE BATTERY BANK (32 LiFePO4s IN SERIES?)

| | | |
|---|-------------------------|--------------|
| Title | | |
| HIGH-SIDE MOSFET GATE DRIVER USING NFET | | |
| Size | Document Number | Rev |
| A | <Doc> | P |
| Date: | Tuesday, April 16, 2024 | Sheet 1 of 9 |