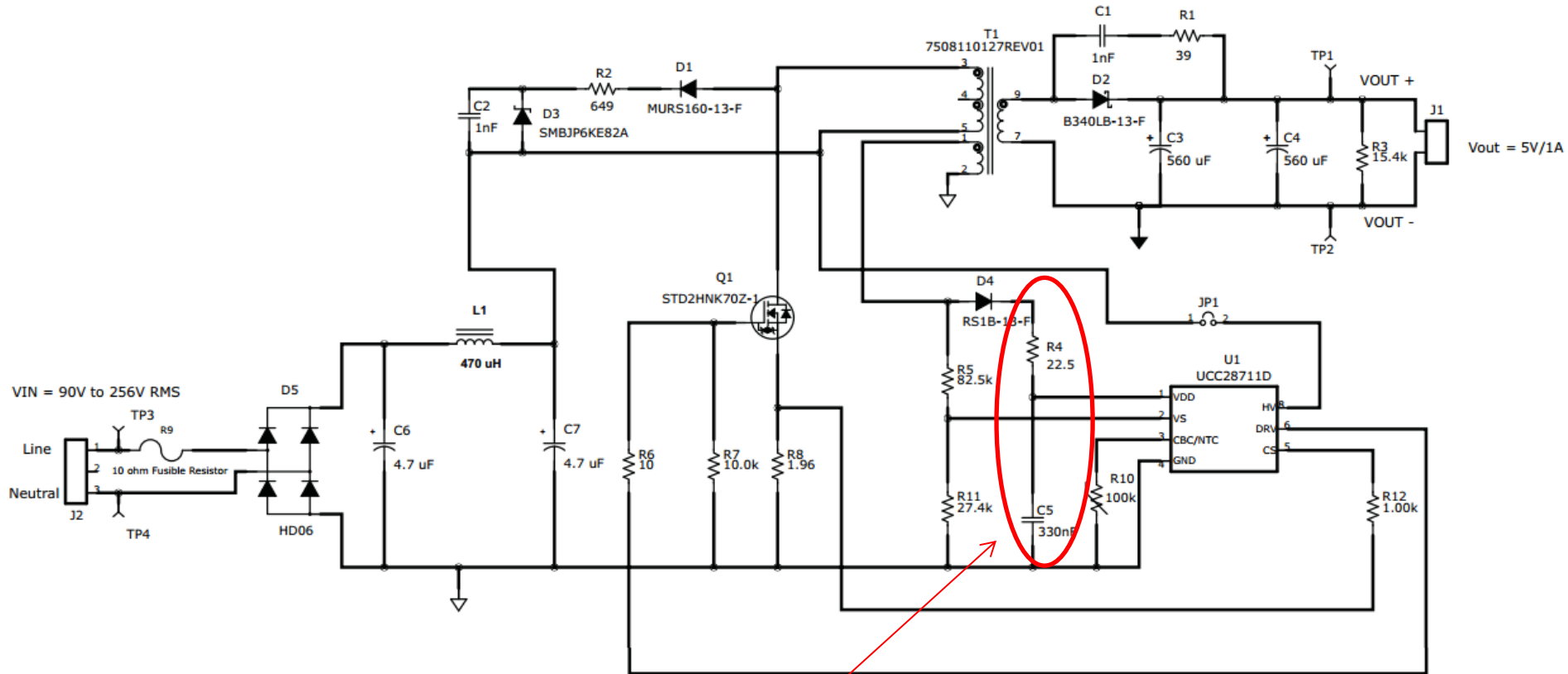


UCC28711EVM-160



Method of determining the constants?
(@22.5Ω and 330nF)