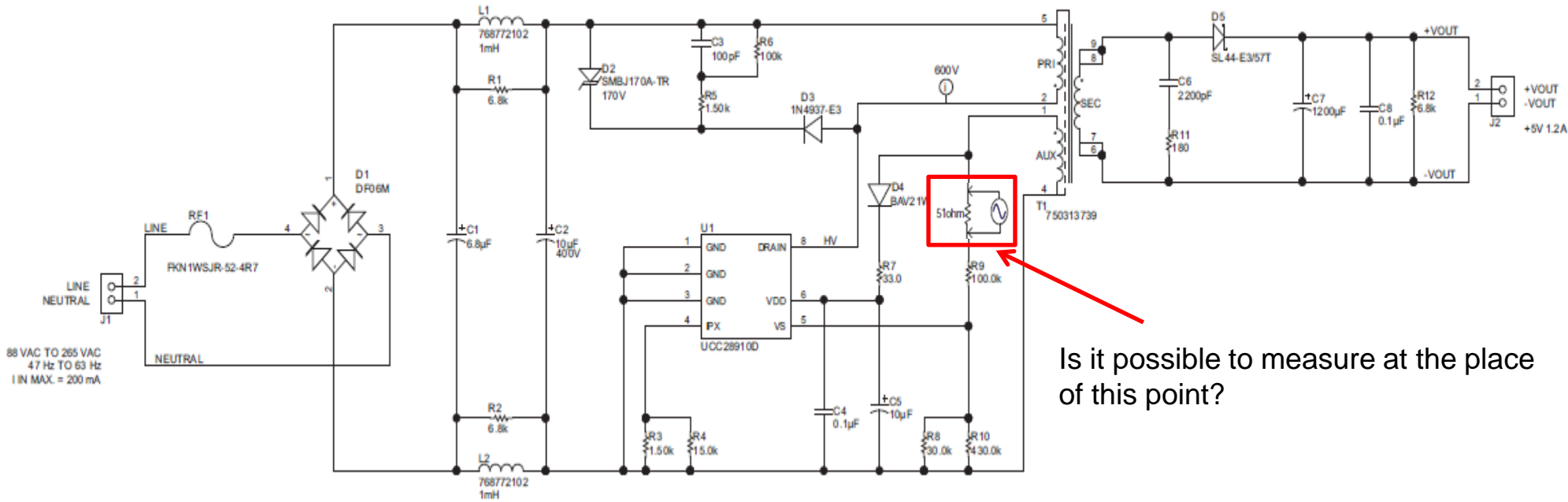


# UCC28910 EVM schematic

Where should the measurement position the Bode plot measurement?  
Is it possible to measure at the place of the below circuit diagram?

CAUTION! HIGH VOLTAGE



Is it possible to measure at the place of this point?

Figure 34. UCC28910FBEVM-526 Schematic

88 VAC TO 265 VAC  
47 Hz TO 63 Hz  
I IN MAX. = 200 mA