

Where should the measurement position the Bode plot measurement of Case1 and Case2?

Case1

Multi-output flyback converter

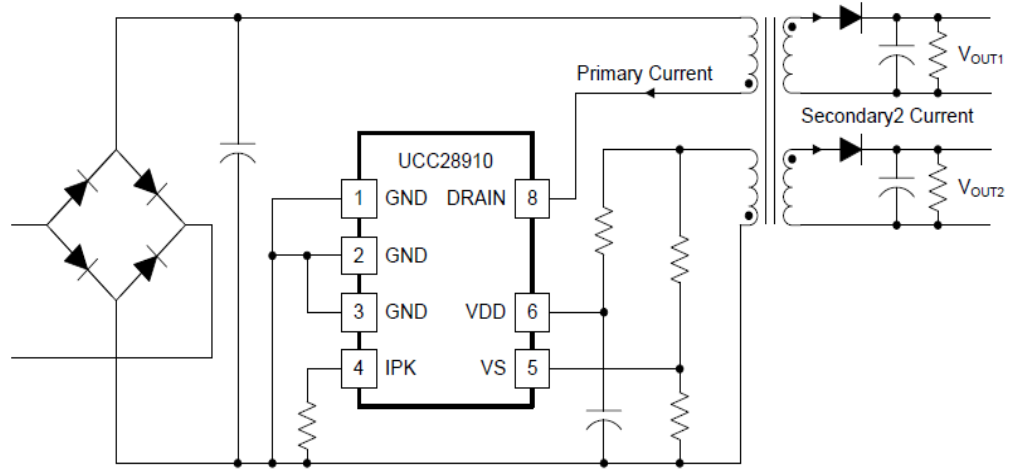


Figure 49. Multi-Output Flyback Converter

Case2

Two tap configuration

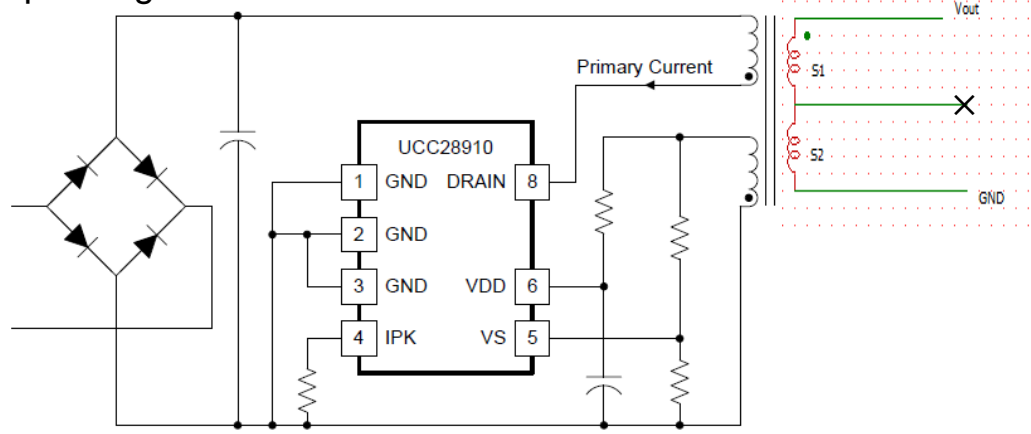


Figure 49. Multi-Output Flyback Converter