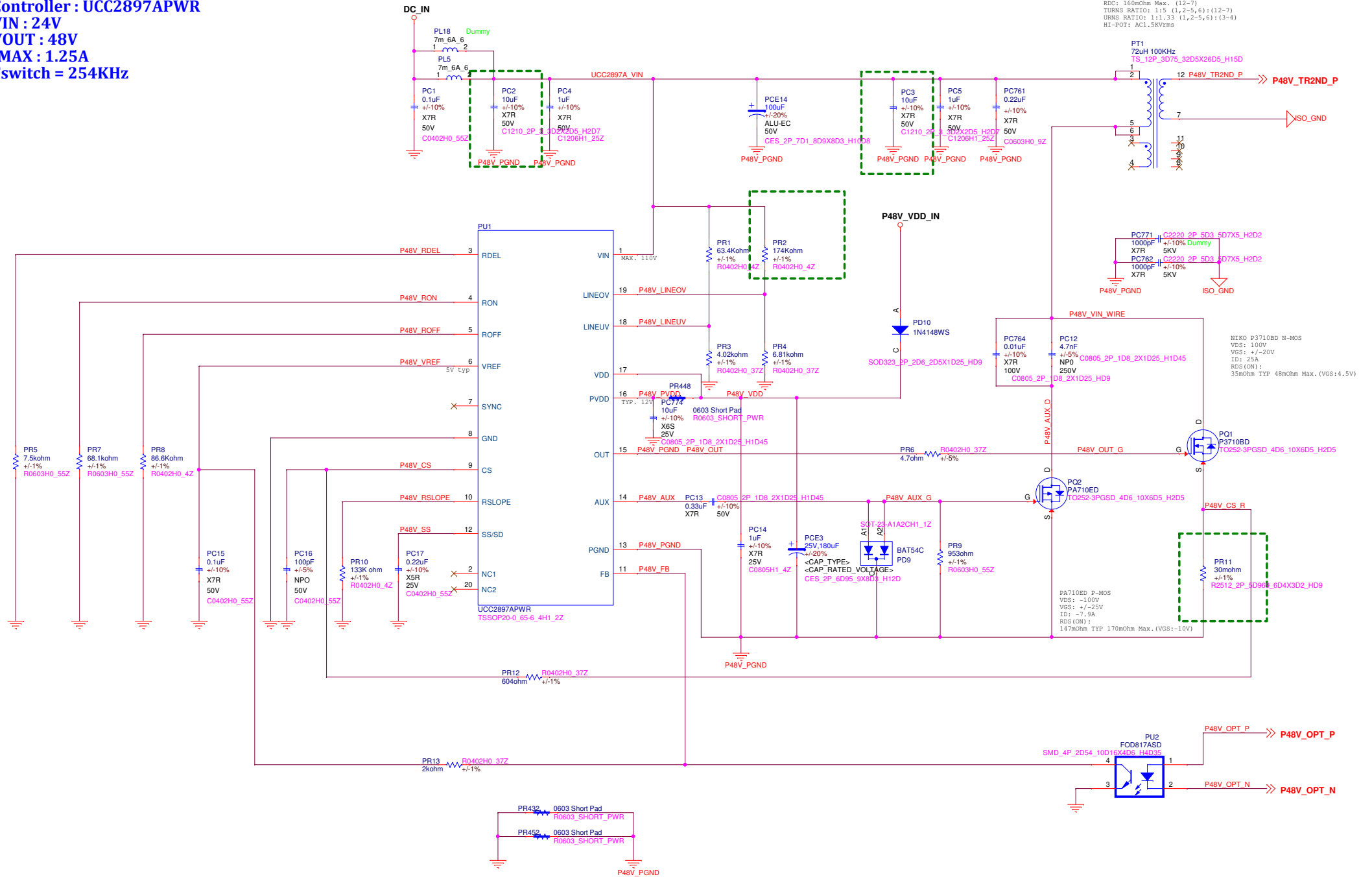


Power rail : VPWR
Controller : UCC2897APWR
VIN : 24V
VOU : 48V
IMAX : 1.25A
Fswitch = 254KHz

Iin:2.7A

SUMIDA 10393-T167
 Inductance: 72uH (1,2-5,6)
 RDC: 20mOhm Max. (1,2-5,6)
 RDC: 225mOhm Max. (3-4)
 RDC: 160mOhm Max. (12-7)
 TURNS RATIO: 1:5 (1,2-5,6);(12-7)
 URNS RATIO: 1:1,33 (1,2-5,5);(3-4)
 HI-POT: AC1.5KVrms



NIKO P3710BD N-MOS
 VDS: 100V
 VGS: +/-20V
 ID: 25A
 RDS(ON):
 35mOhm TYP 48mOhm Max. (VGS:4.5V)

PA710ED P-MOS
 VDS: -100V
 VGS: +/-25V
 ID: -7.0A
 RDS(ON):
 147mOhm TYP 170mOhm Max. (VGS:-10V)

