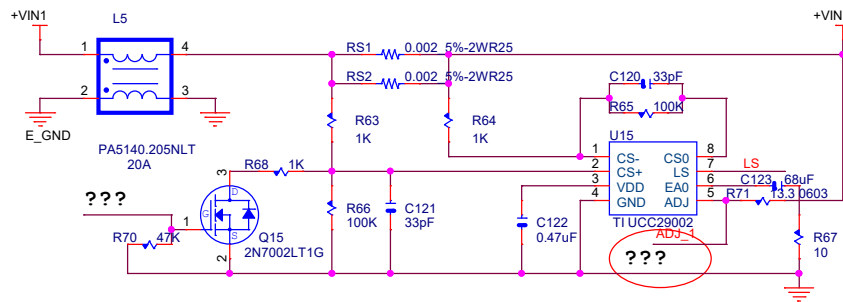
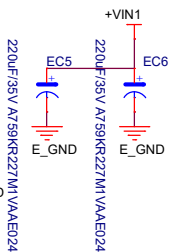
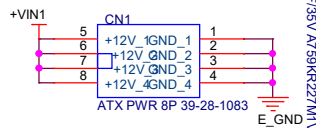
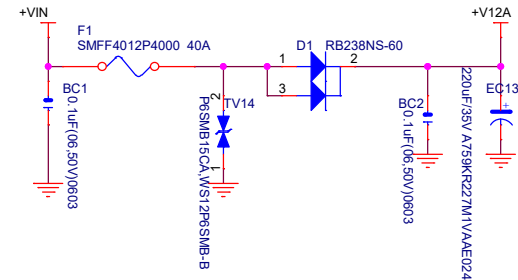


silkscreen
DC_IN=12V



12V/30A



silkscreen
DC_IN=12V

