

Add = 0x65H

Voltage Sense Input

Current Sense Input

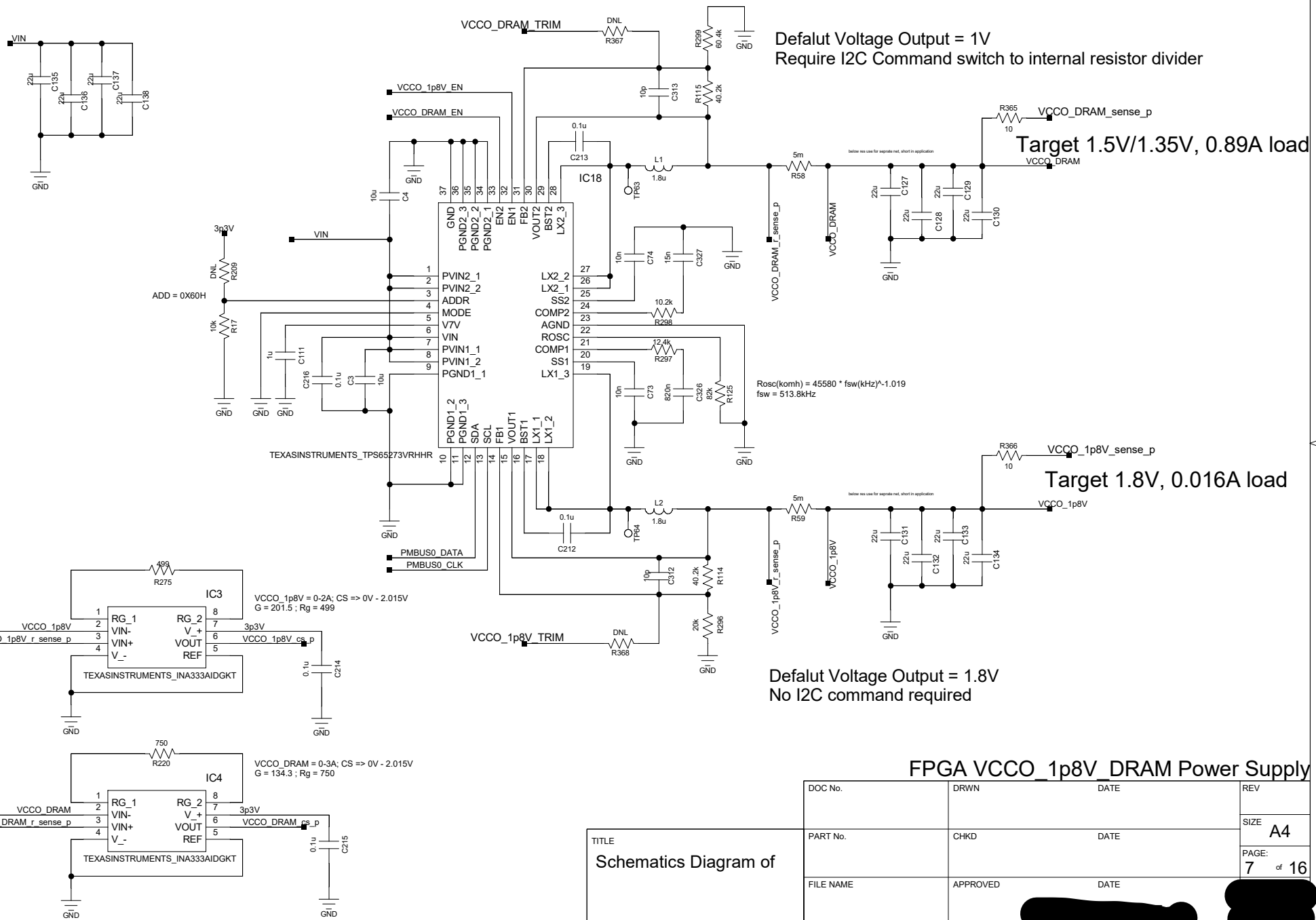
PMBUS Header

PMBUS Pull-Up resistor

FPGA Power Sequencing and Monitor

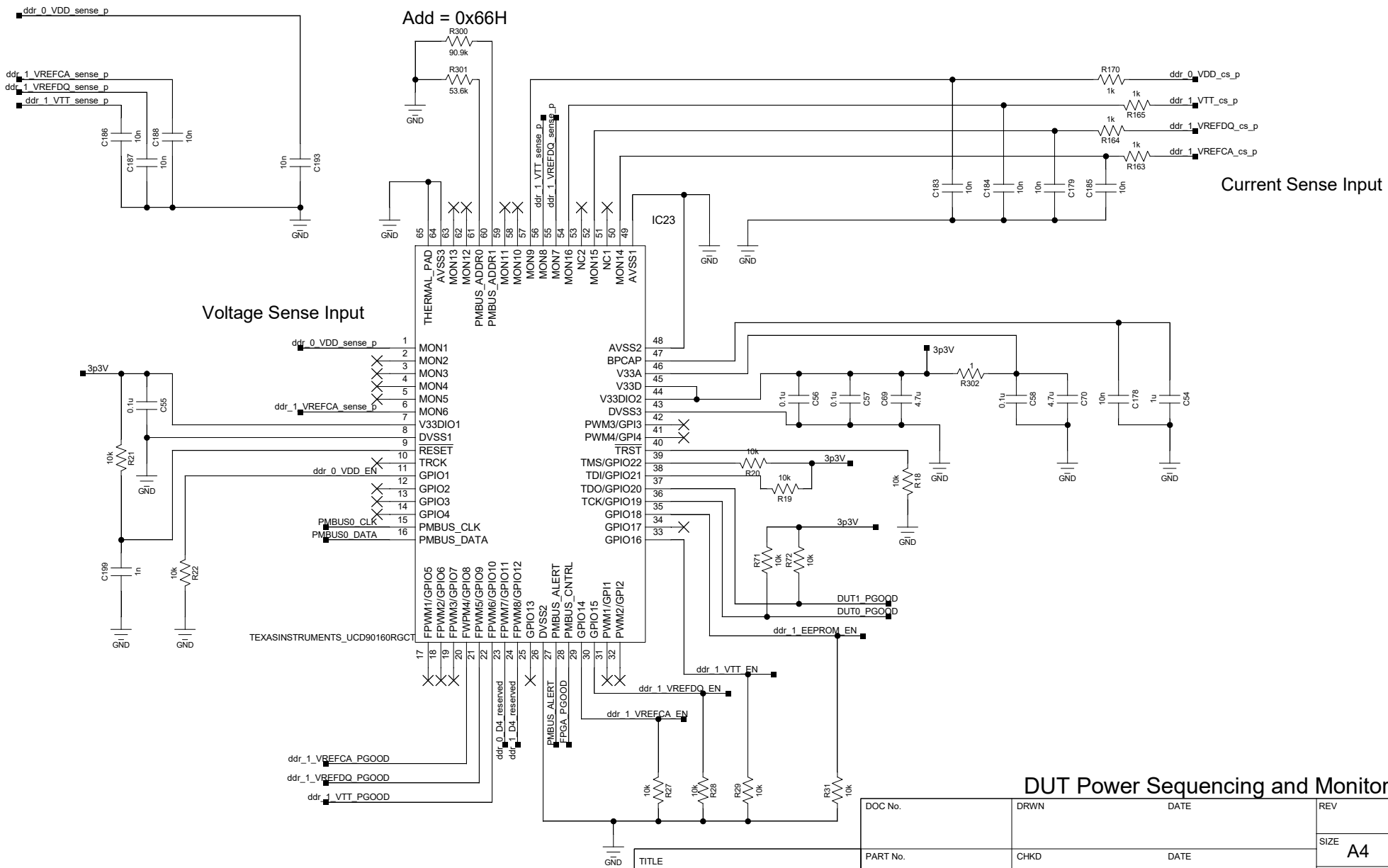
TITLE
Schematics Diagram of

DOC No.	DRWN	DATE	REV
PART No.	CHKD	DATE	SIZE A4
FILE NAME	APPROVED	DATE	PAGE: 2 of 16



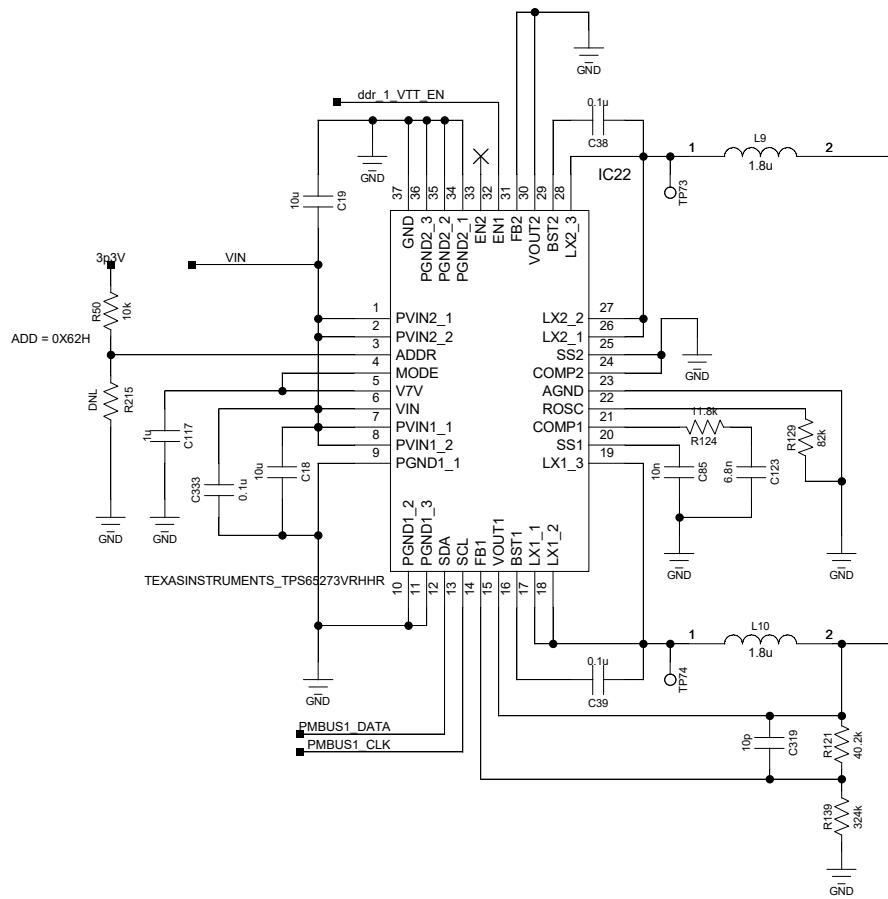
TITLE
Schematics Diagram of

DOC No.	DRWN	DATE	REV
PART No.	CHKD	DATE	SIZE A4
FILE NAME	APPROVED	DATE	PAGE: 7 of 16

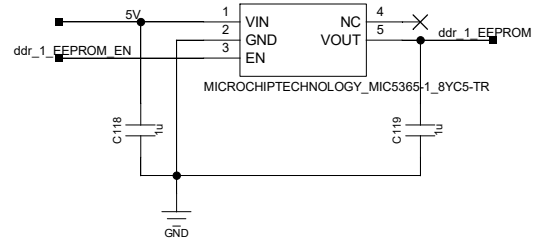


TITLE
 [REDACTED]

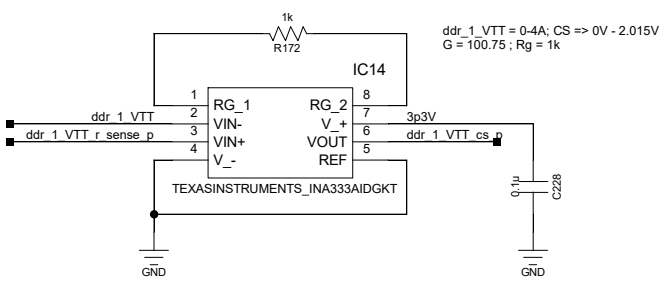
DOC No.	DRWN	DATE	REV
PART No.	CHKD	DATE	SIZE A4
	APPROVED	DATE	PAGE: 8 of 16



LDO For DUT EEPROM
IC37



Default Voltage Output = 0.674V
Require I2C Command switch to internal resistor divider



DUT DDR 1 VTT/EEPROM Power Supply

TITLE	DOC No.	DRWN	DATE	REV
Schematics Diagram of [REDACTED]	PART No.	CHKD	DATE	SIZE A4
[REDACTED]	APPROVED	[REDACTED]	DATE	PAGE: 11 of 16