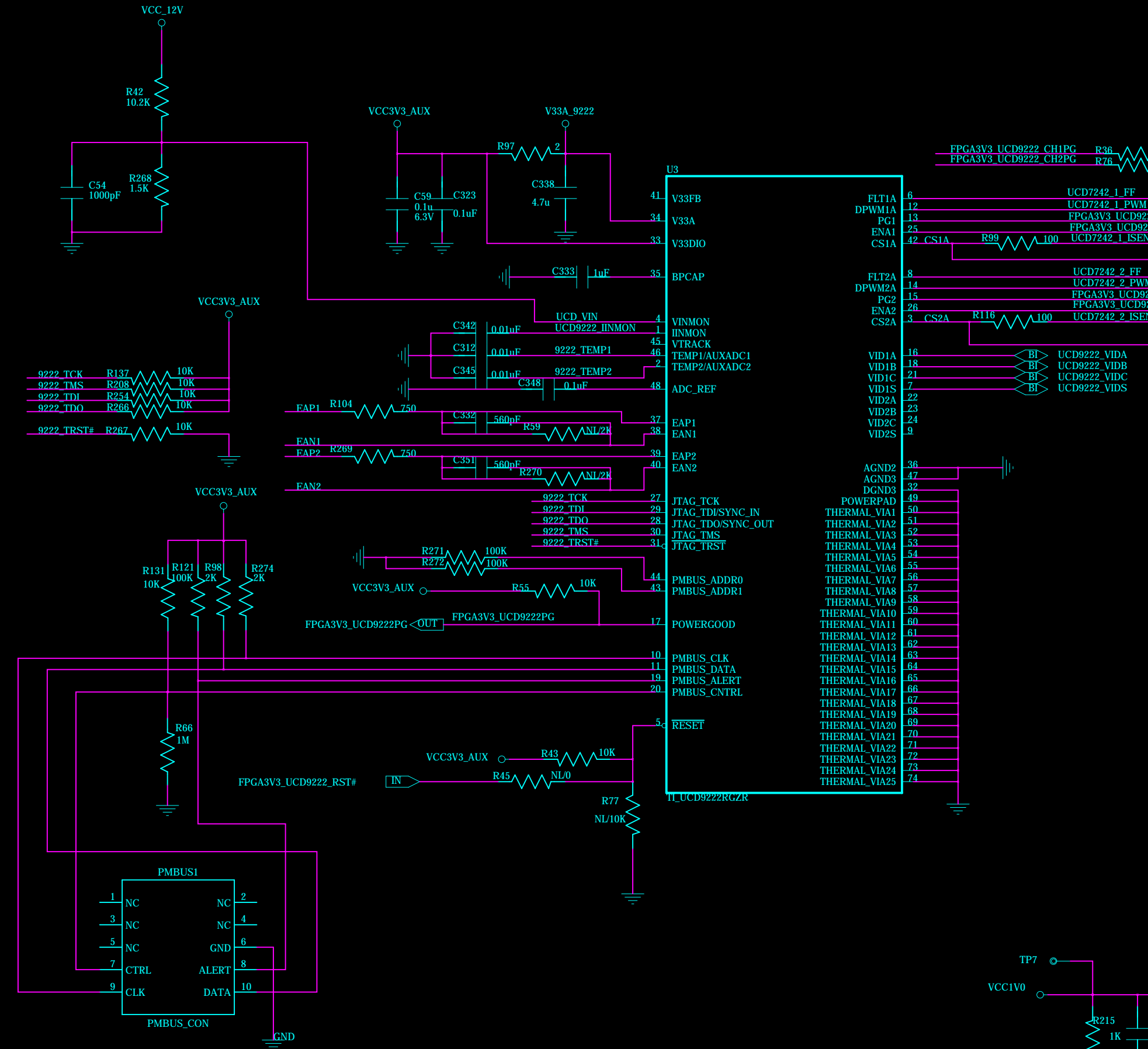
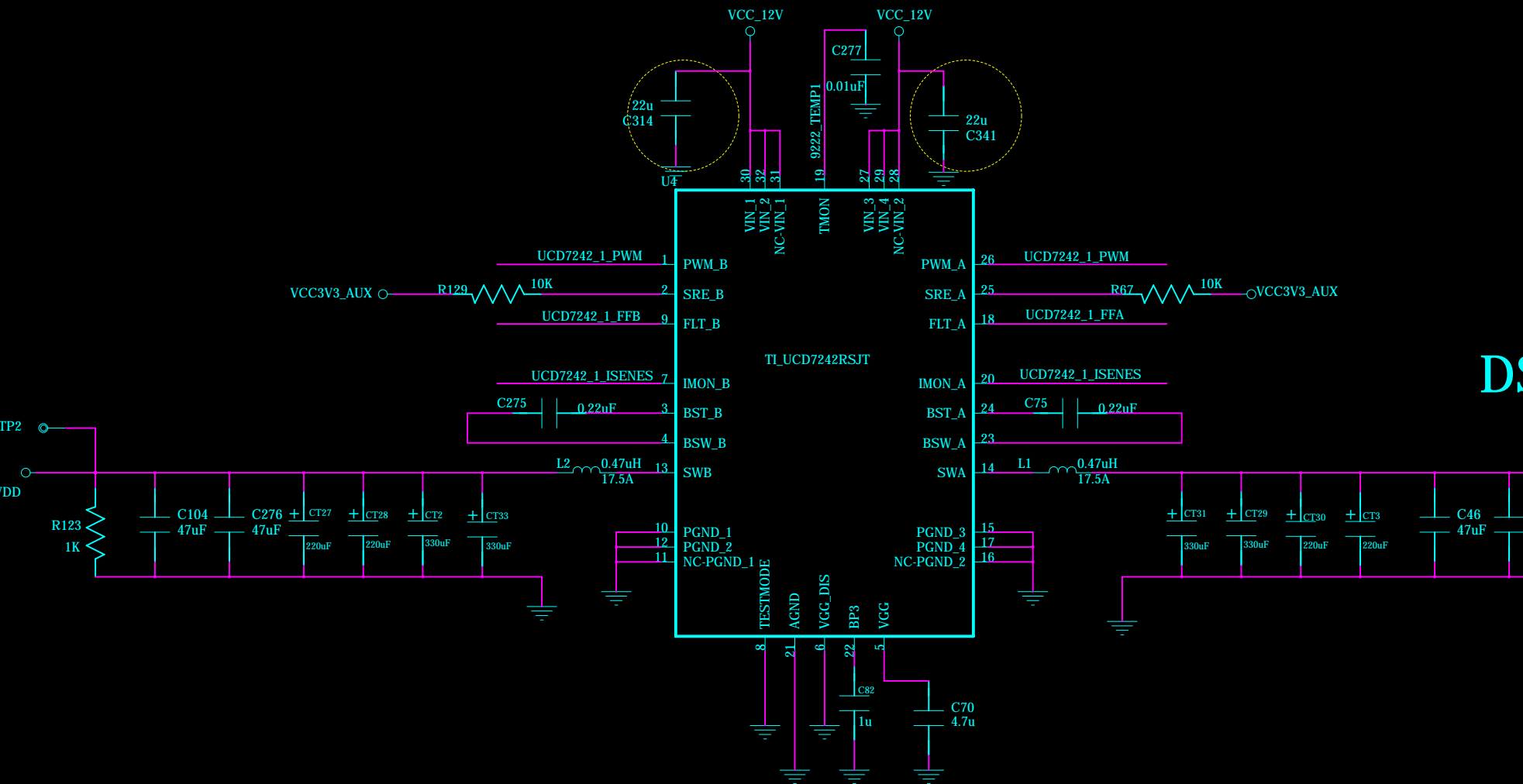


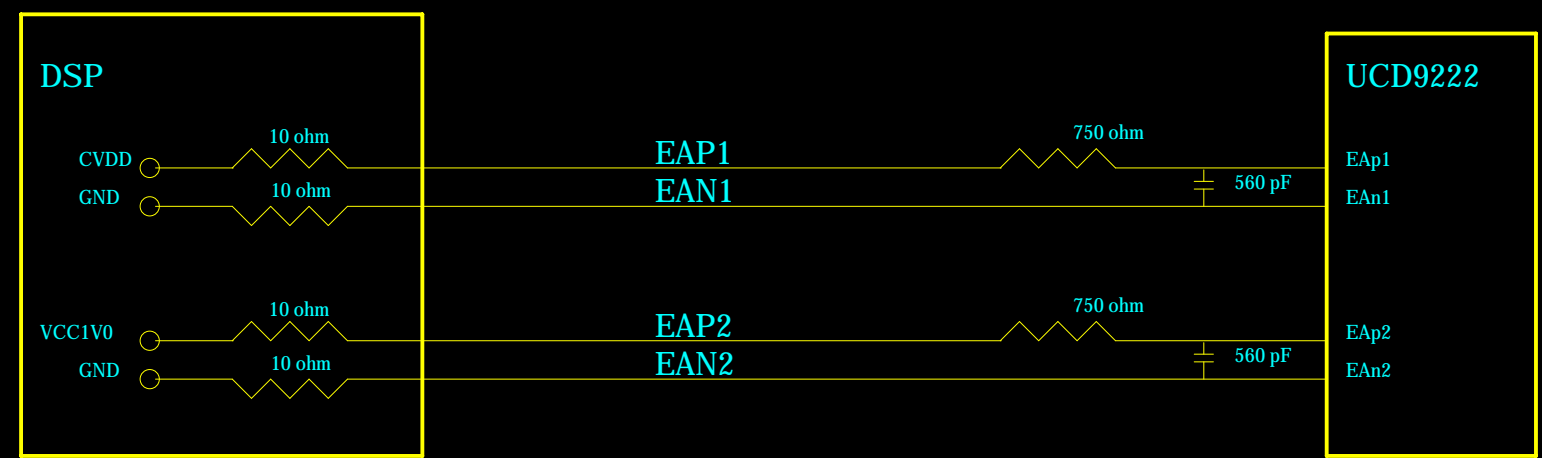
# CVDD / VCC1V0



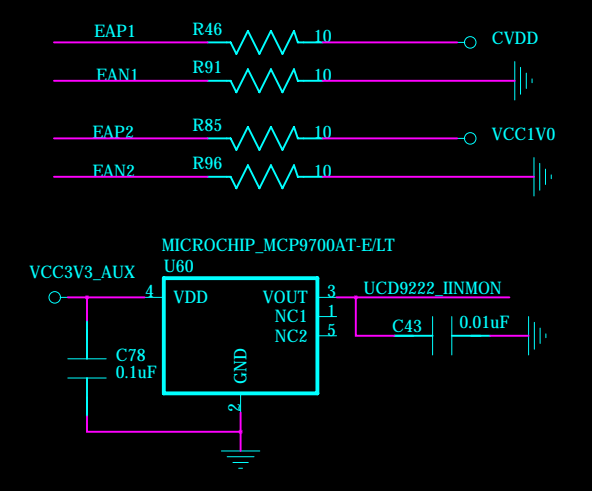
Each 22uF Cin cap needs to be tightly coupled to Vin and PGND of the UCD7242.



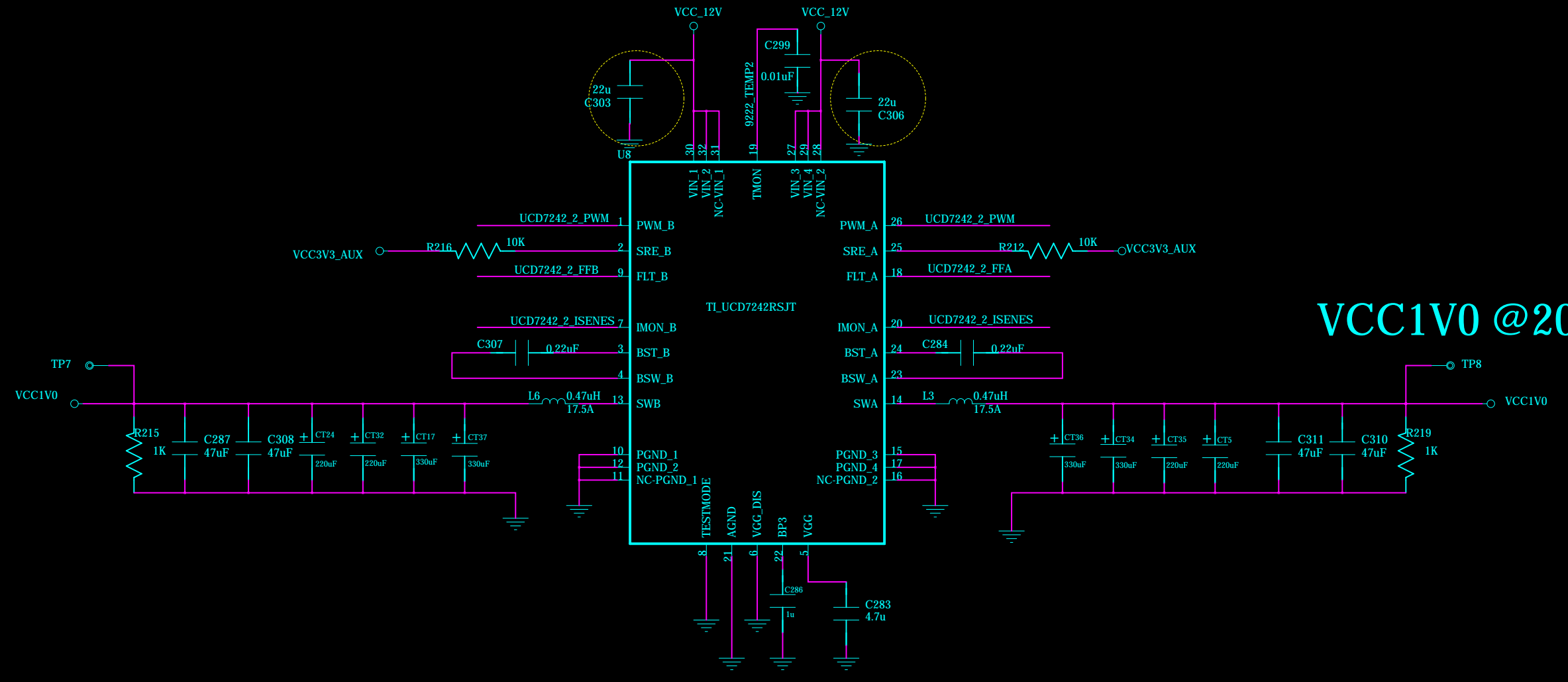
# DSP Vcore @ 20A



Corresponding "EA" Pins MUST be routed as differential signals and connected next to DSP for specific rails. Series resistors on EA nets to be placed at the load for proper voltage feedback.



Each 22uF Cin cap needs to be tightly coupled to Vin and PGND of the UCD7242.



# VCC1V0 @ 20A

