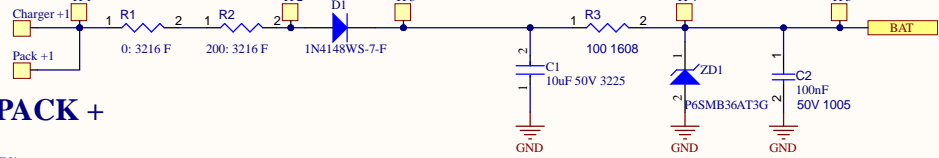
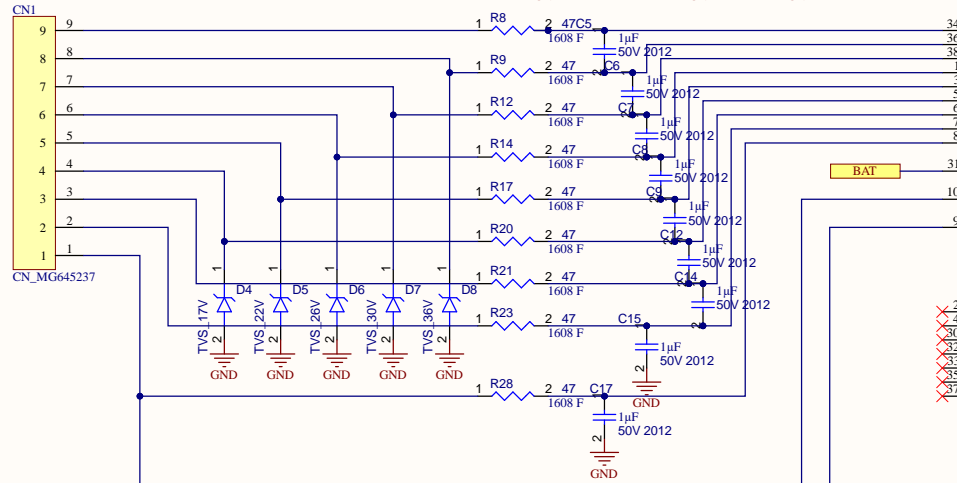


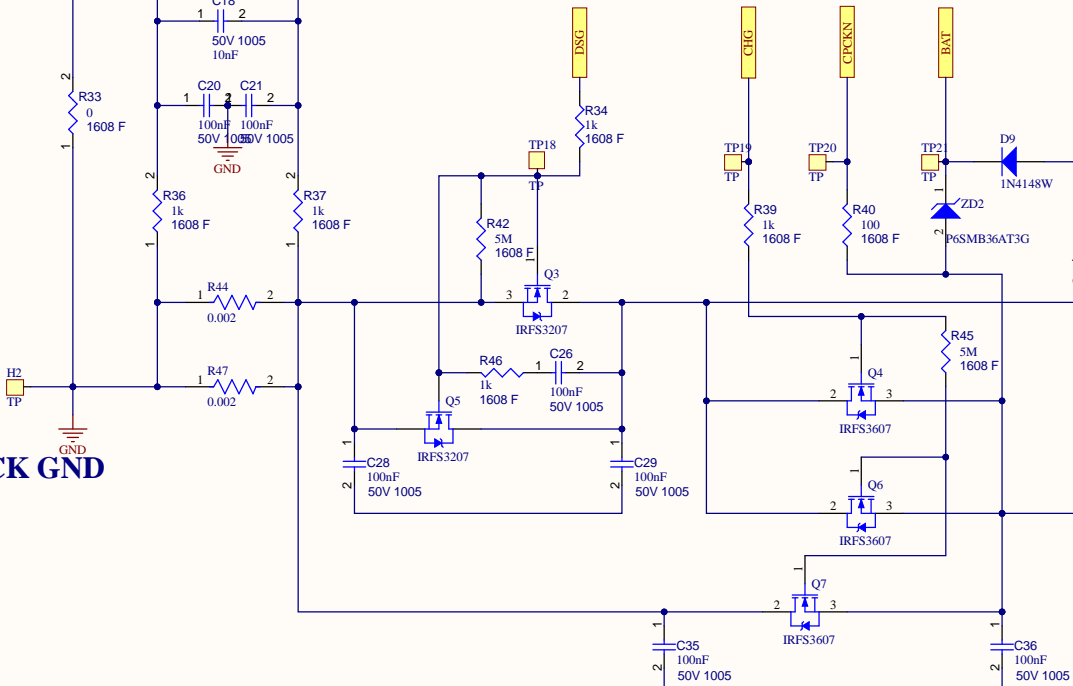
# Charger +



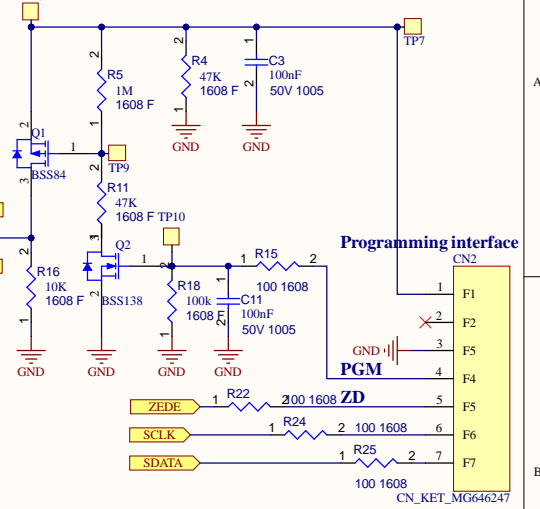
# PACK +



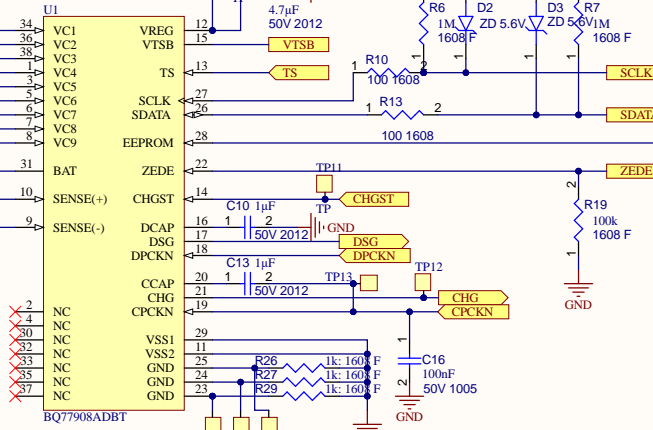
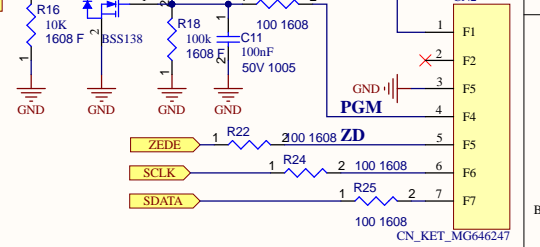
# PACK GND



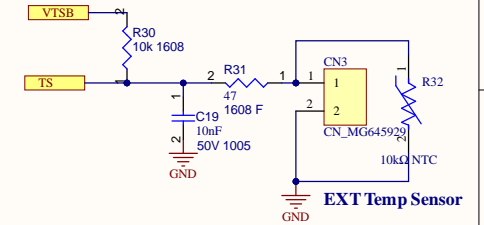
# Programming Voltage 14V INPUT



# Programming interface

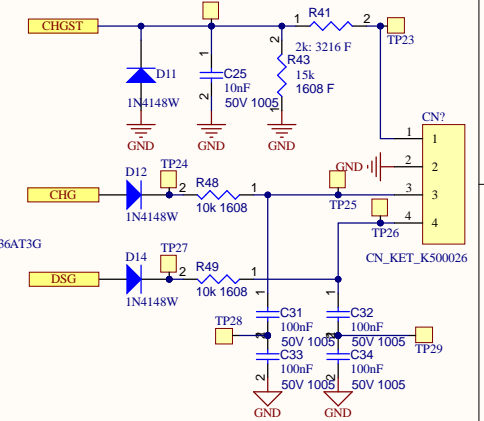


# Temperature Sensor

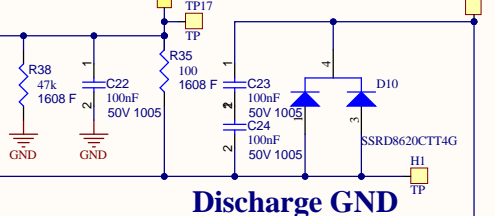


# EXT Temp Sensor

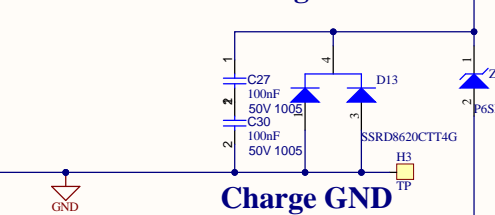
# FLAG CHECK Circuit



# Discharge GND



# Charge GND



Title <b>UPS Protection Circuit</b>		
Size A3	Number	Revision <b>R02</b>
Date: 8-27-2024	Sheet of	Drawn By:
File: C:\Users\...UPS Protection Circuit_C02.Sch	Sheet of	Drawn By:

