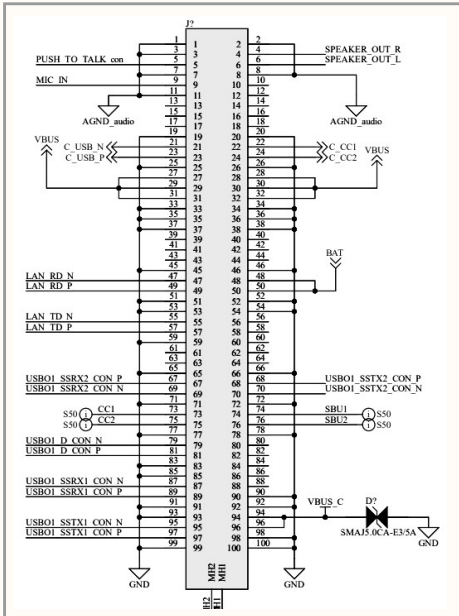


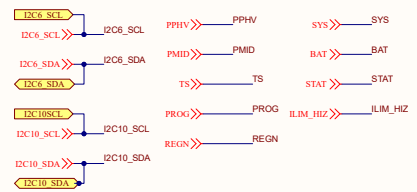
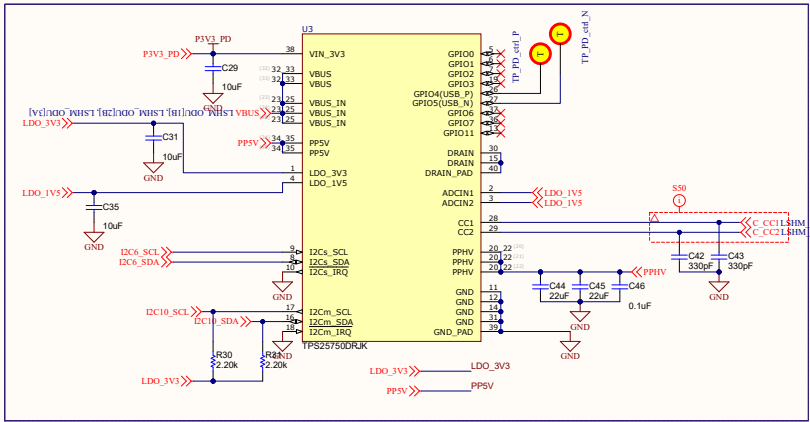
LSHM connector pinout*



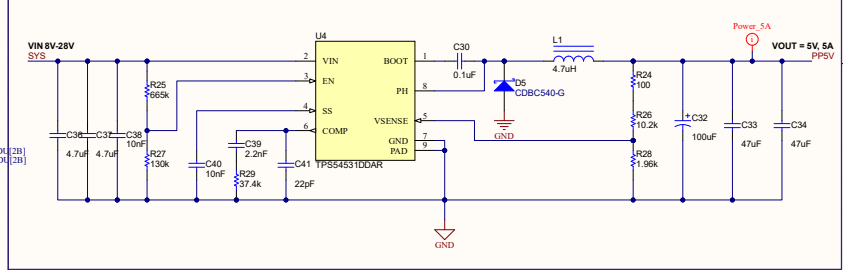
Power balance :
 Power IN : 20V@3A (60W)
 Power OUT : 5V@3A (15W), 10.8V@6A max (64.8W)
 Max Consumption : 2W

Specifications :
 USB-C 3.0 power delivery port
 [SINK] 20V@3A (60W)
 [SOURCE] 5V@3A (15W)
 USB2.0 480 Mbps
 Battery output : 10.8V@6A (64.8W) max

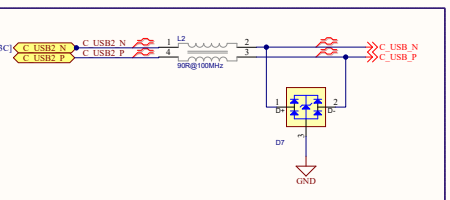
USB C 3.0 PD controller



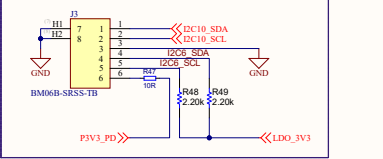
+5V/5A USB C sourcing & local power supply



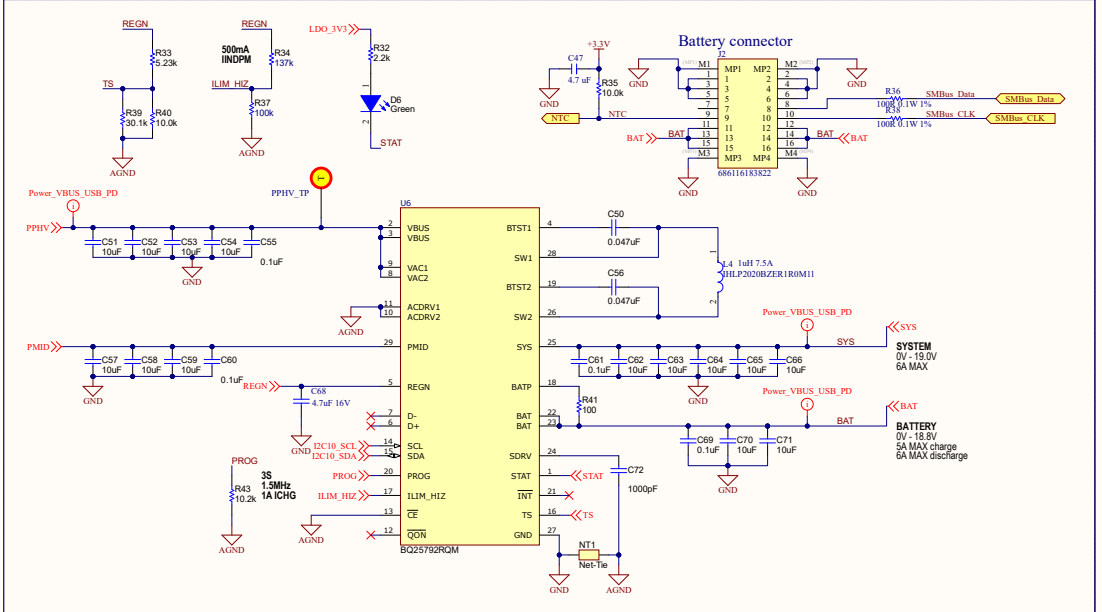
USB 2.0 - connector data filter



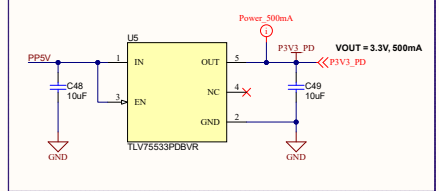
EEPROM - I2C Programming USB C 3.0 PD controller - I2C slave



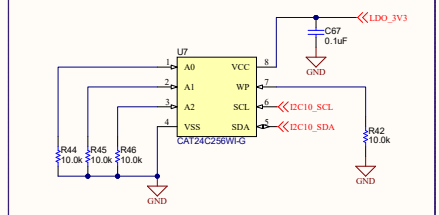
3S Battery charger



USB controller local power supply



EEPROM



Title		
Size	Number	Revision
A2		
Date	2003/2026	Sheet of
File	C:\Users\... \USB-C_PD.SchDoc	Drawn By: