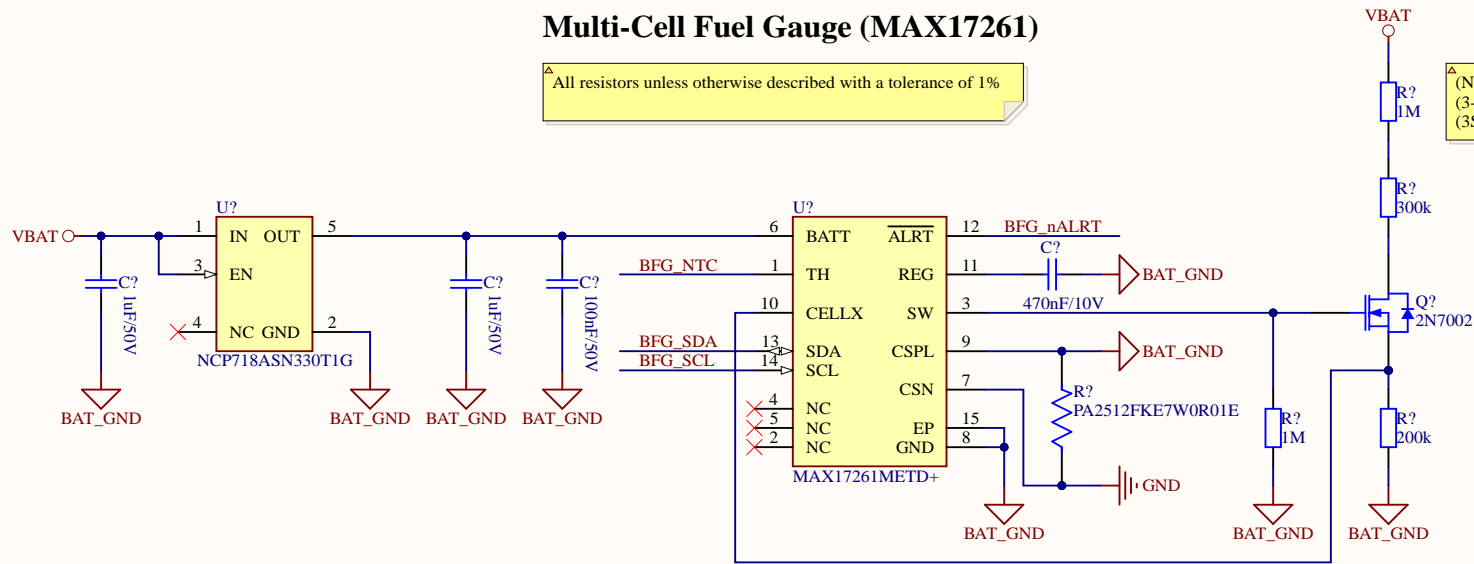


Multi-Cell Fuel Gauge (MAX17261)

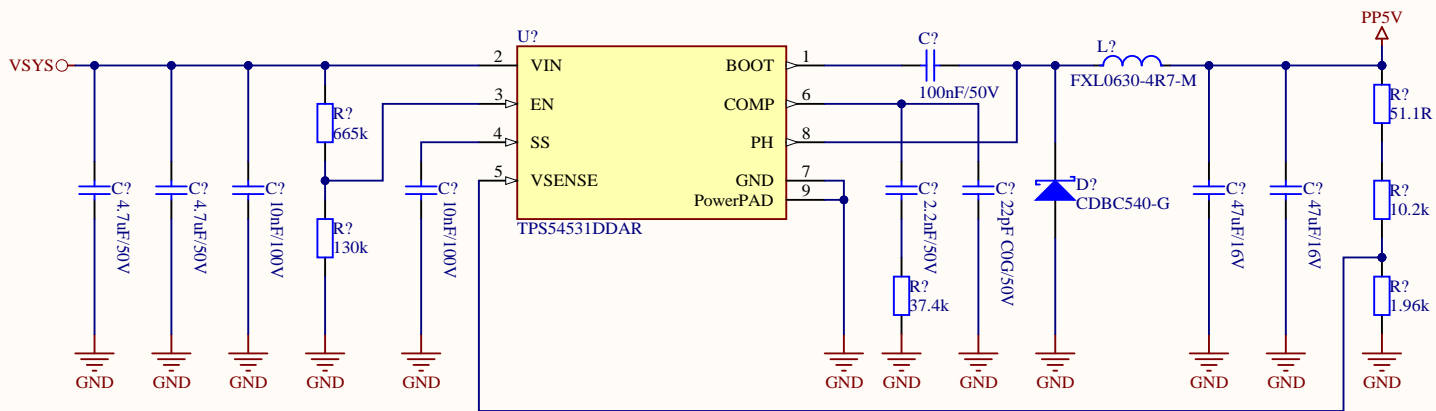
All resistors unless otherwise described with a tolerance of 1%

$(N-1) * 500k\Omega =$
 $(3-1) * 500k = 1M$
(3S Battery)

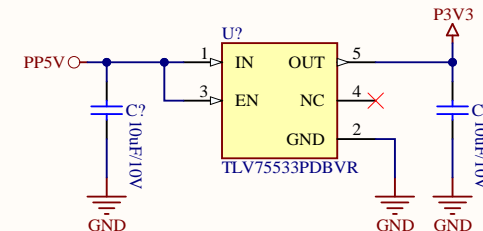


Title		
Size	Number	Revision
A4		
Date:	5.25.2024	Sheet of
File:	Z:\Documents\...\Battery_Fuel_Gauge.Sch	Drawn By:

5V 5A Step-Down Converter With Eco-mode (TPS54531)



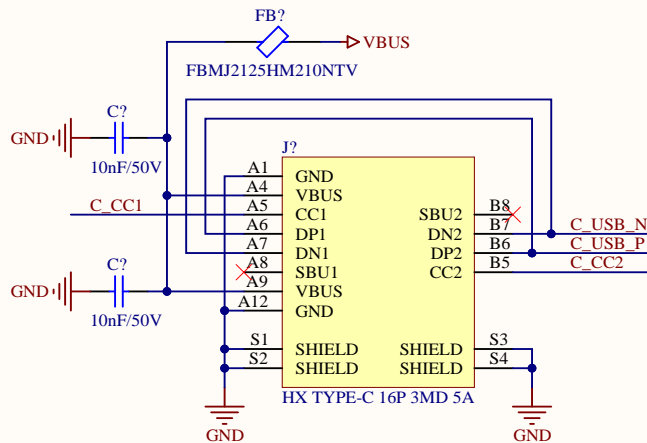
3.3V 500mA LDO (TLV75533)



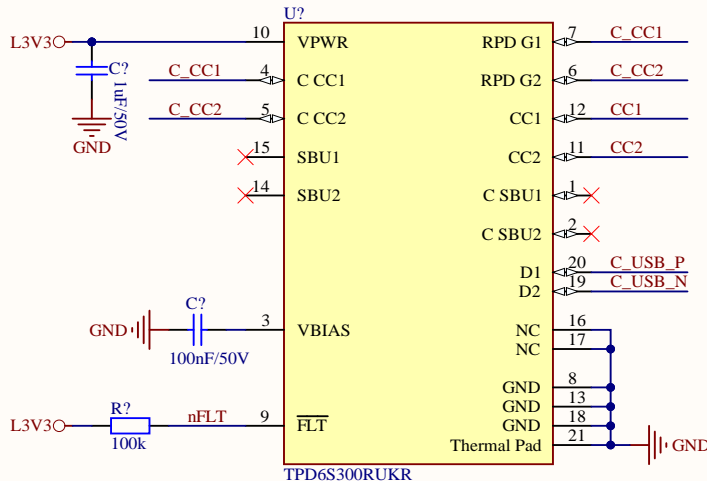
All resistors unless otherwise described with a tolerance of 1%

Title		
Size	Number	Revision
A4		
Date:	5.25.2024	Sheet of
File:	Z:\Documents\...\Power_Supply.SchDoc	Drawn By:

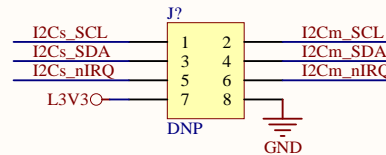
USB Type-C™ Connector



USB Type-C™ Port Protector (TPD6S300)



I2C Debug Connector



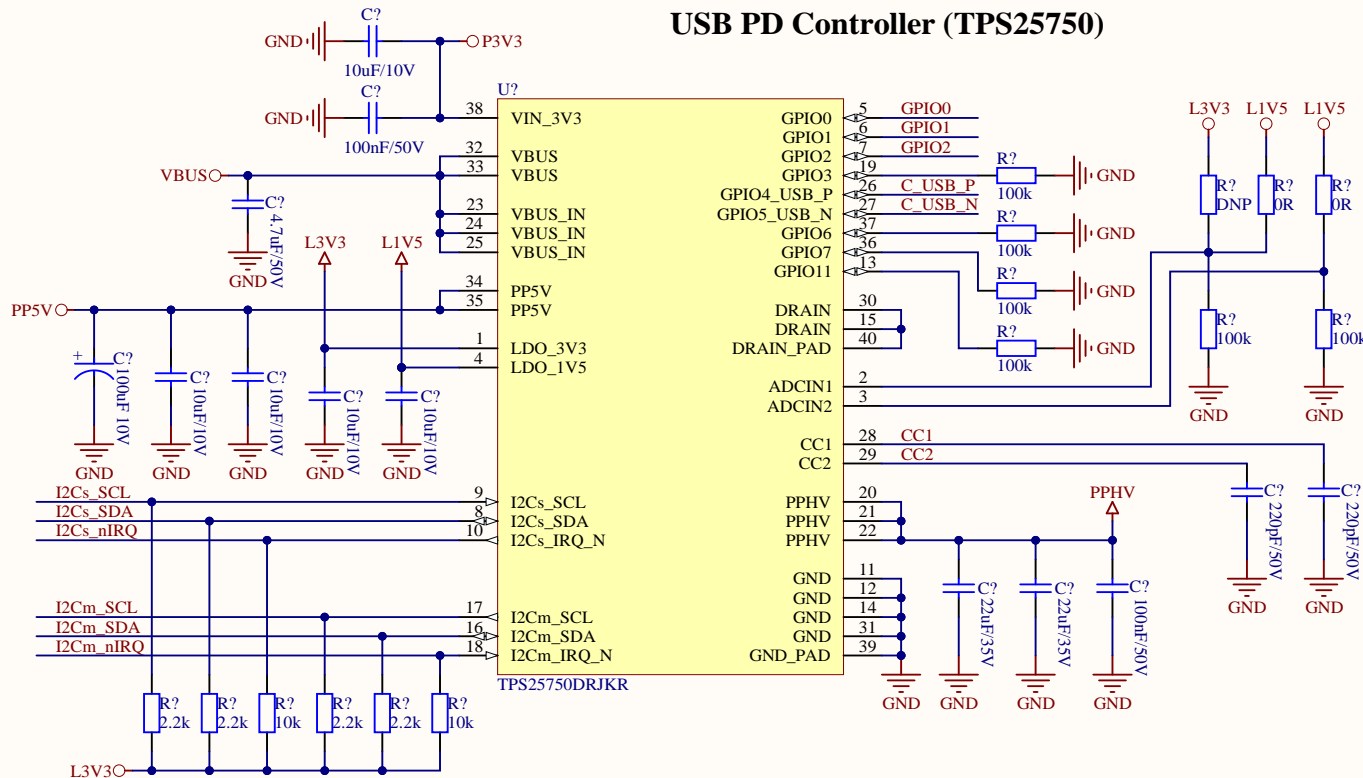
A

A

B

B

USB PD Controller (TPS25750)



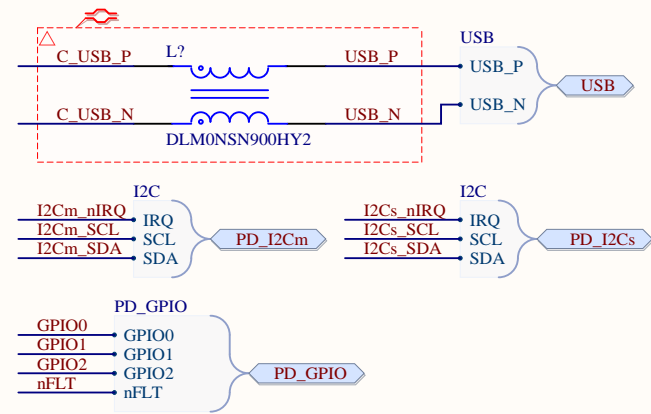
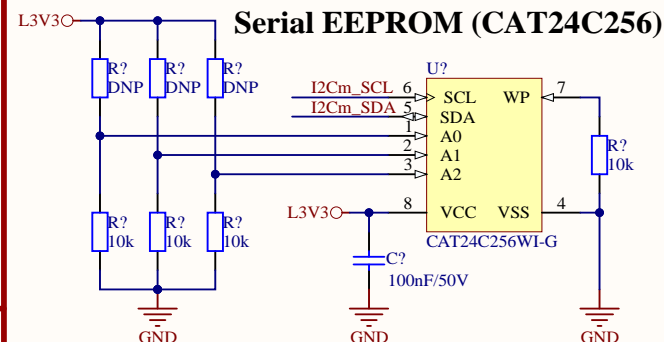
C

C

D

D

Serial EEPROM (CAT24C256)



All resistors unless otherwise described with a tolerance of 1%

Title		
Size	Number	Revision
A4		
Date:	5.25.2024	Sheet of
File:	Z:\Documents\...\USB_TypeC_PD.SchDoc	Drawn By: