

Using adjustable LM4041 shunt voltage reference instead of LM431
 - Over Voltage Protection Circuit for Automotive Load Dump (AN-1533 app note)

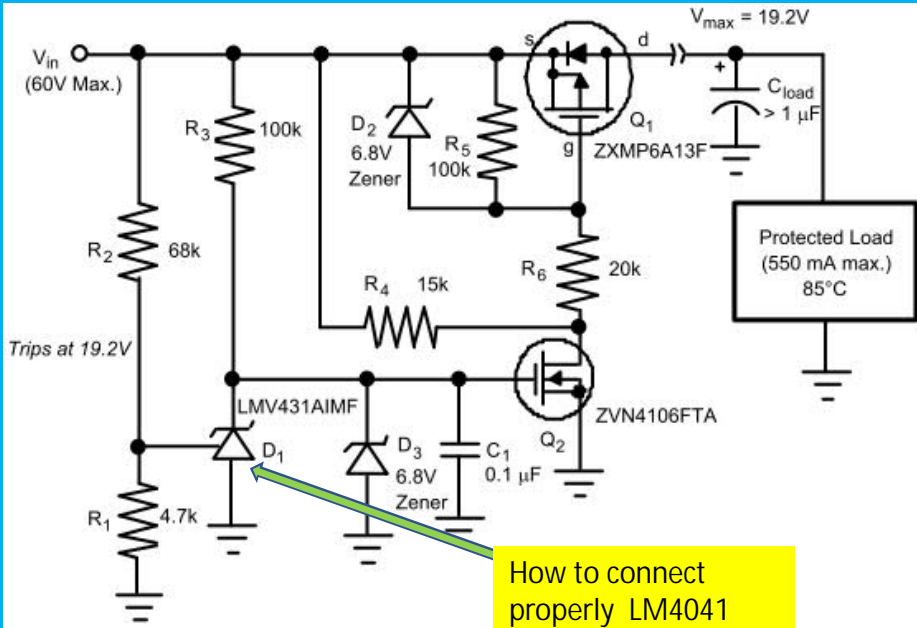


Figure 1. Over Voltage Protection

Picture from TI AN-1533 app note

How to connect properly LM4041

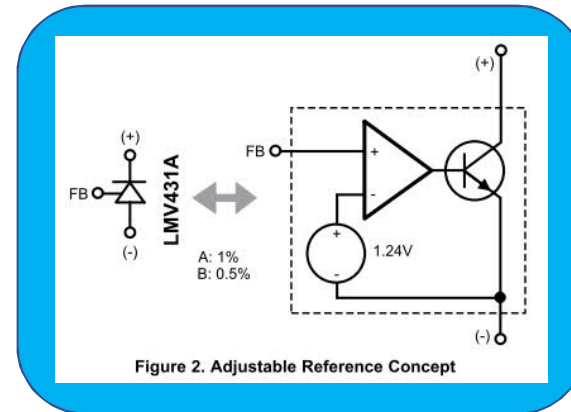
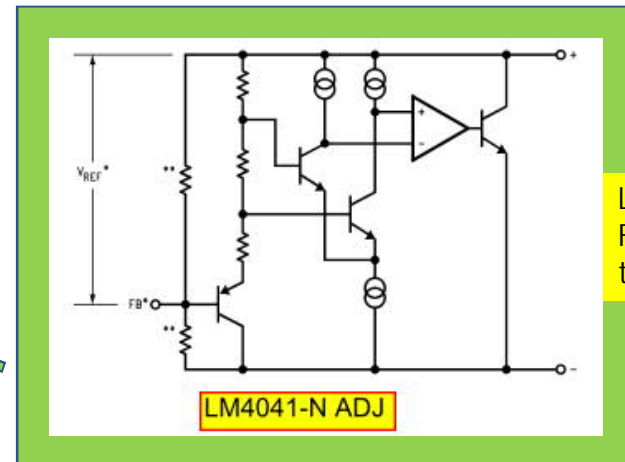


Figure 2. Adjustable Reference Concept

LM431
 FB is referenced
 to (-) side

Pictures from TI data
 sheets



LM4041-N ADJ

LM4041
 FB is referenced
 to (+) side