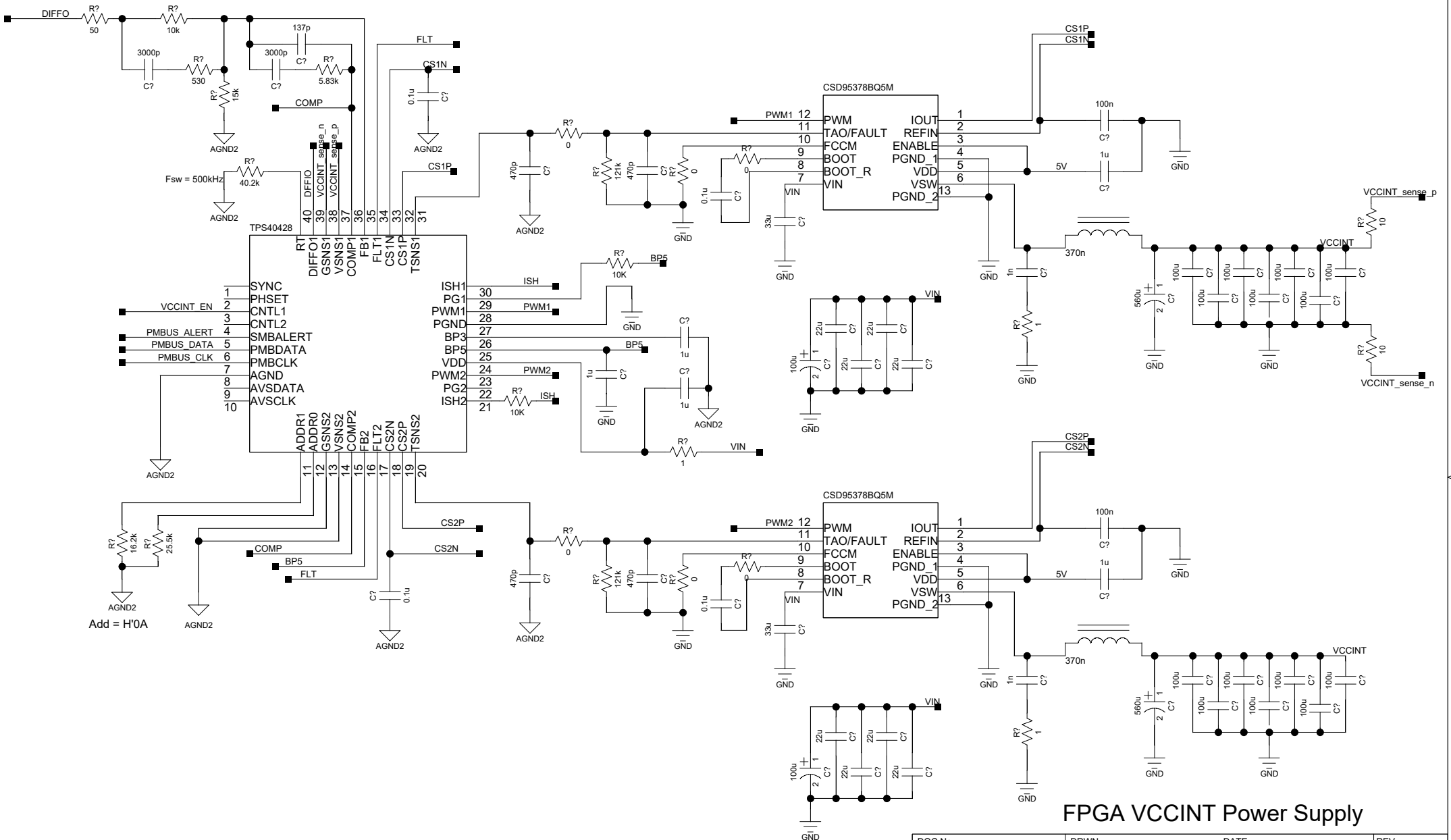


12V / 5V Input, Target Output 1V, 30A



FPGA VCCINT Power Supply

TITLE
Schematics Diagram of

Schematic1

DOC No.	DRWN	DATE	REV
PART No.	CHKD	DATE	SIZE A4
FILE NAME	APPROVED	DATE	PAGE: 8 of 8
		05/05/2022:13:44	I'M Intelligent Memory Ltd.