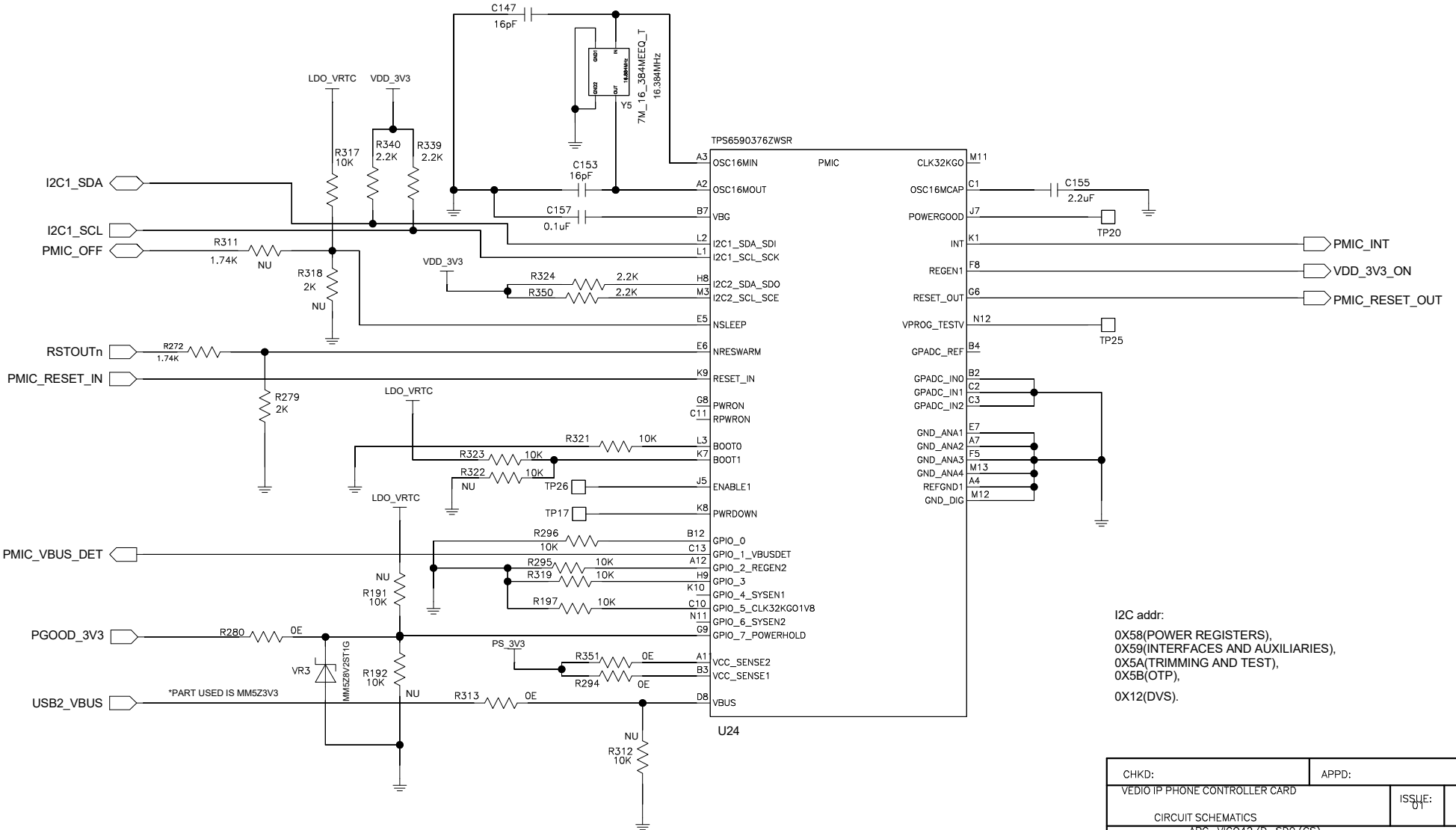



Last Edit:

This document is the property of CENTRE FOR DEVELOPMENT OF TELEMATICS. Reproduction, utilisation or disclosure to third parties in any form whatsoever is not allowed without written consent of the proprietors.



I2C addr:
 0X58(POWER REGISTERS),
 0X59(INTERFACES AND AUXILIARIES),
 0X5A(TRIMMING AND TEST),
 0X5B(OTP),
 0X12(DVS).

CHKD:	APPD:
VEDIO IP PHONE CONTROLLER CARD	
ISSUE: 01	REV: 00
CIRCUIT SCHEMATICS	
DWG. No.: APC-VICQ42/D-SD0 (CS)	
 CENTRE FOR DEVELOPMENT OF TELEMATICS - BANGALORE C-DOT	DATE: 15-02-2021
	SHEET 5 OF 42