

COVER PAGE

CIRCUIT DETAILS

TYPE : POW

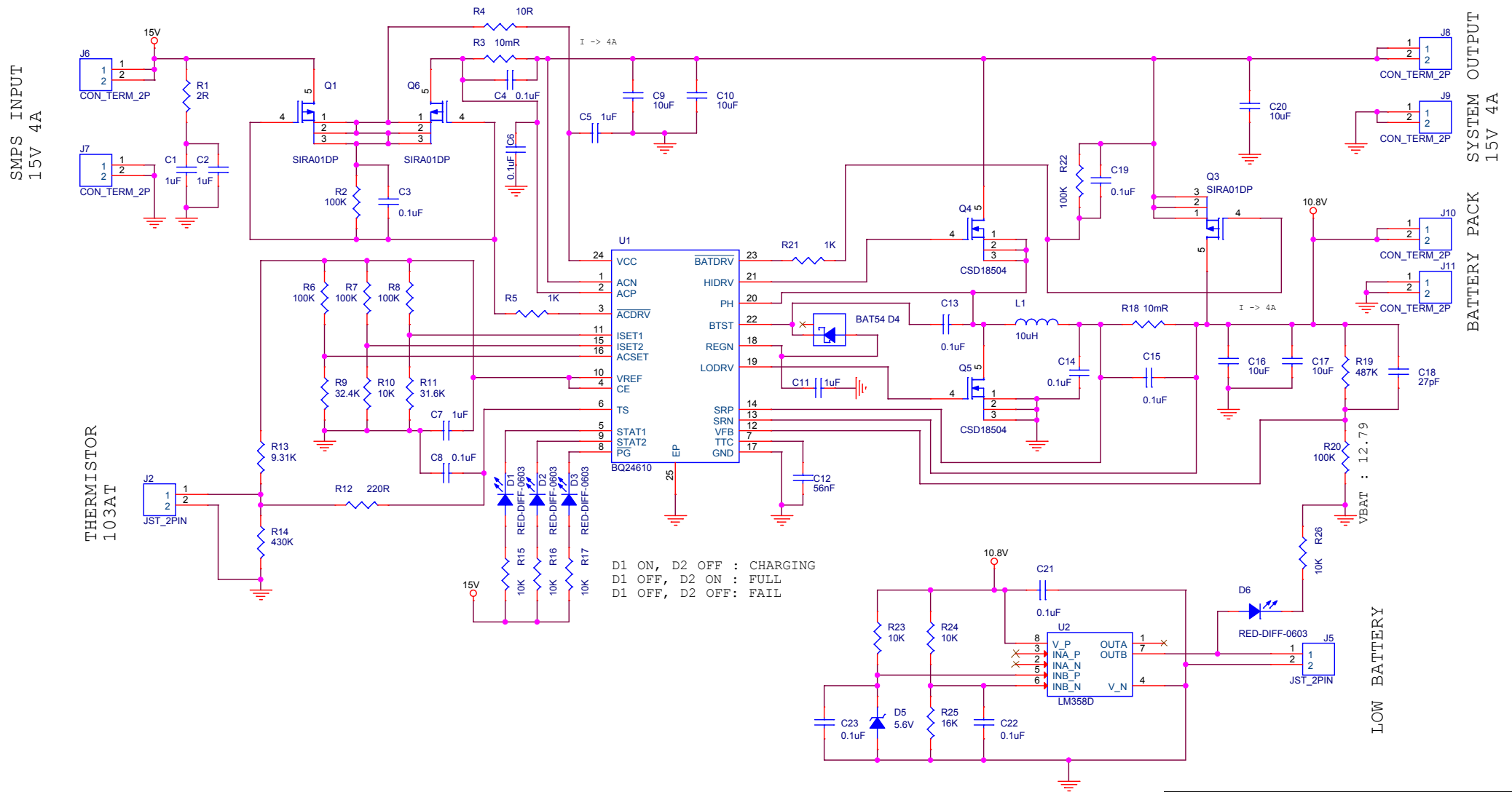
REVISION HISTORY

REVISION	DESCRIPTION	DATE	DRAWN	APPROVED
E	LITHIUM ION CHARGER OUTPUT 4A	23 AUG 2019	KMS	ABJ

NOTE : D INDICATES DO NOT MOUNT

Title			
COVER PAGE			
Size	Document Number	Rev	
B	<Doc>	E	
Date:	Friday, August 23, 2019	Sheet	1 of 2

# SCHEMATICS



D1 ON, D2 OFF : CHARGING  
 D1 OFF, D2 ON : FULL  
 D1 OFF, D2 OFF: FAIL

LOW BATTERY

Title		
SCHEMATICS		
Size	Document Number	Rev
B	<Doc>	E
Date:	Friday, August 23, 2019	Sheet 2 of 2