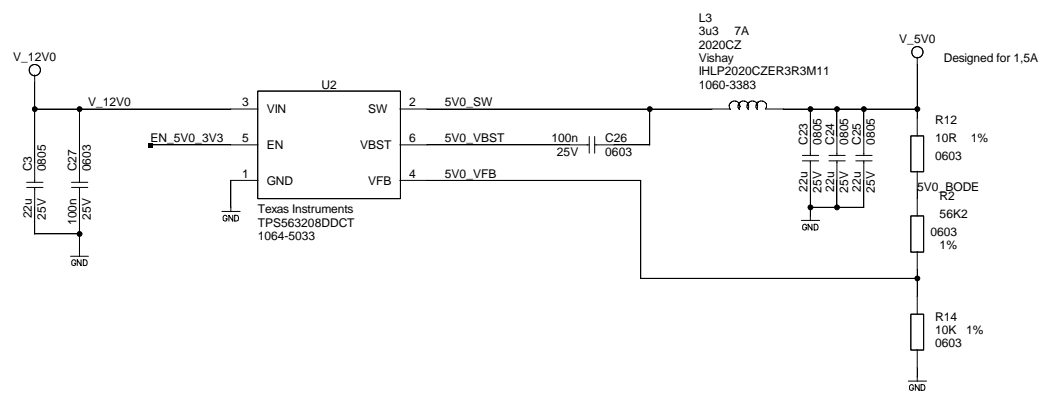
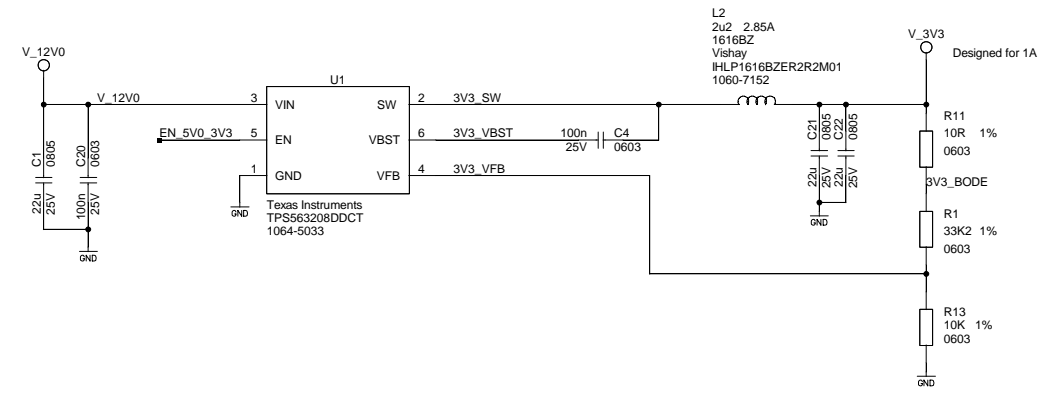
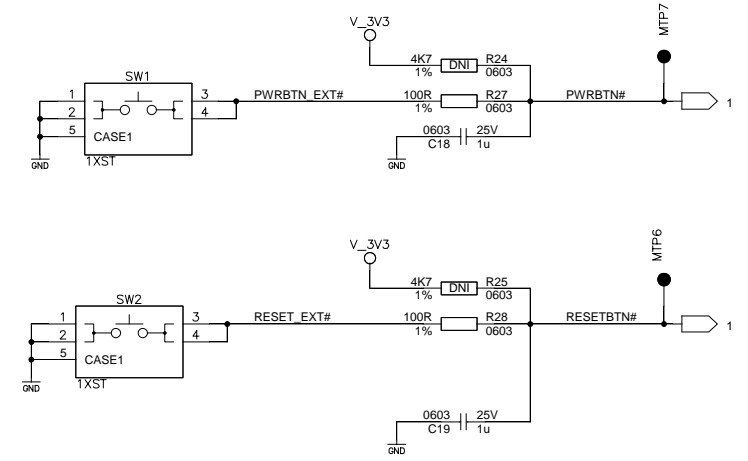


Vymenit za 38k3 až bude v knihovne



PROJECT	XX-XXXXX			
BLOCK ID	X			
SHEET	Voltage Regulators and Buttons			
PCB ID	PCB INDEX	LAST MODIFIED	PAGE	DRAWING ID
XXXX-XXXX	L110	18/10/2018:10:37		BAP1S110
				REV
				A0