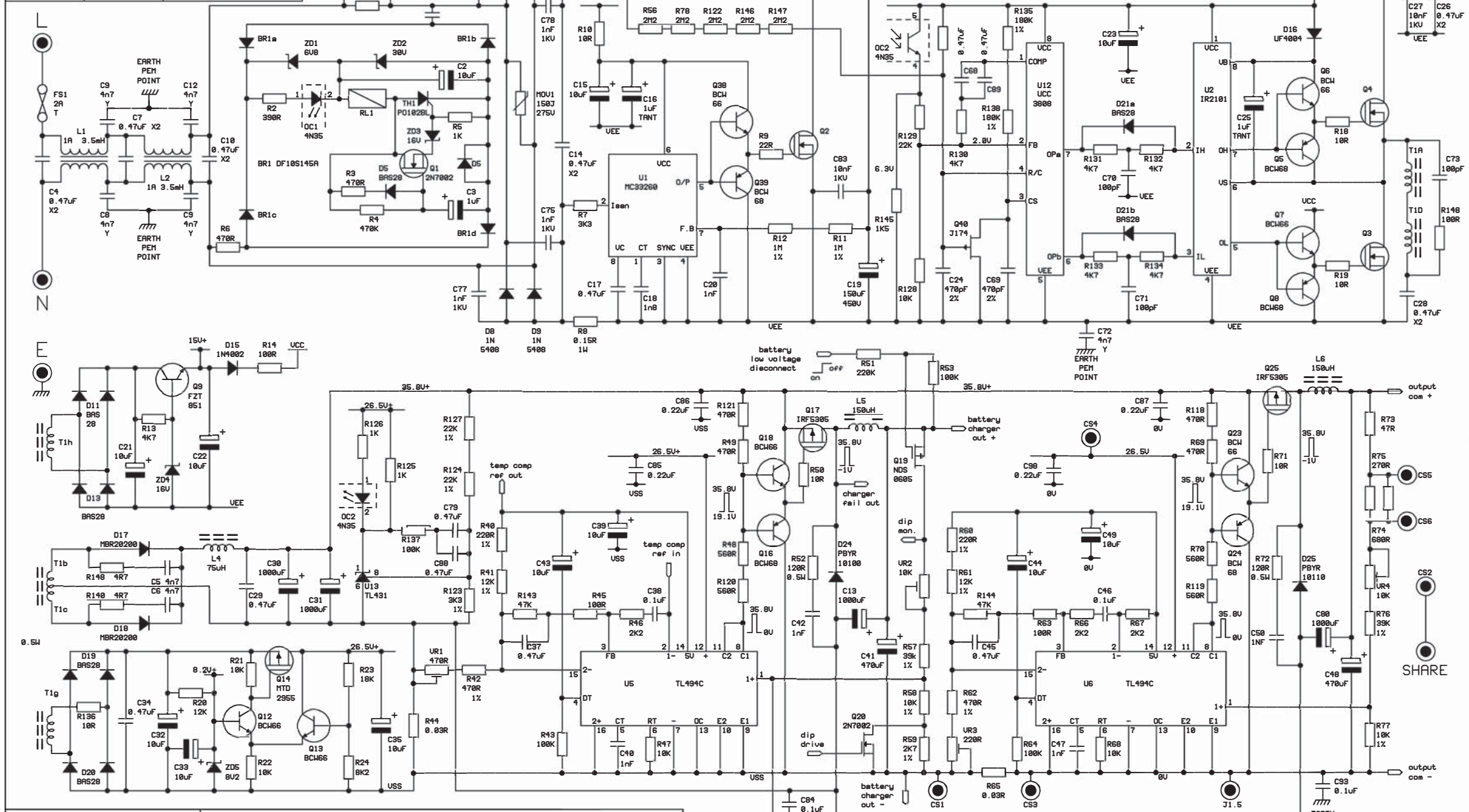
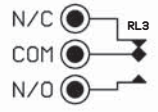
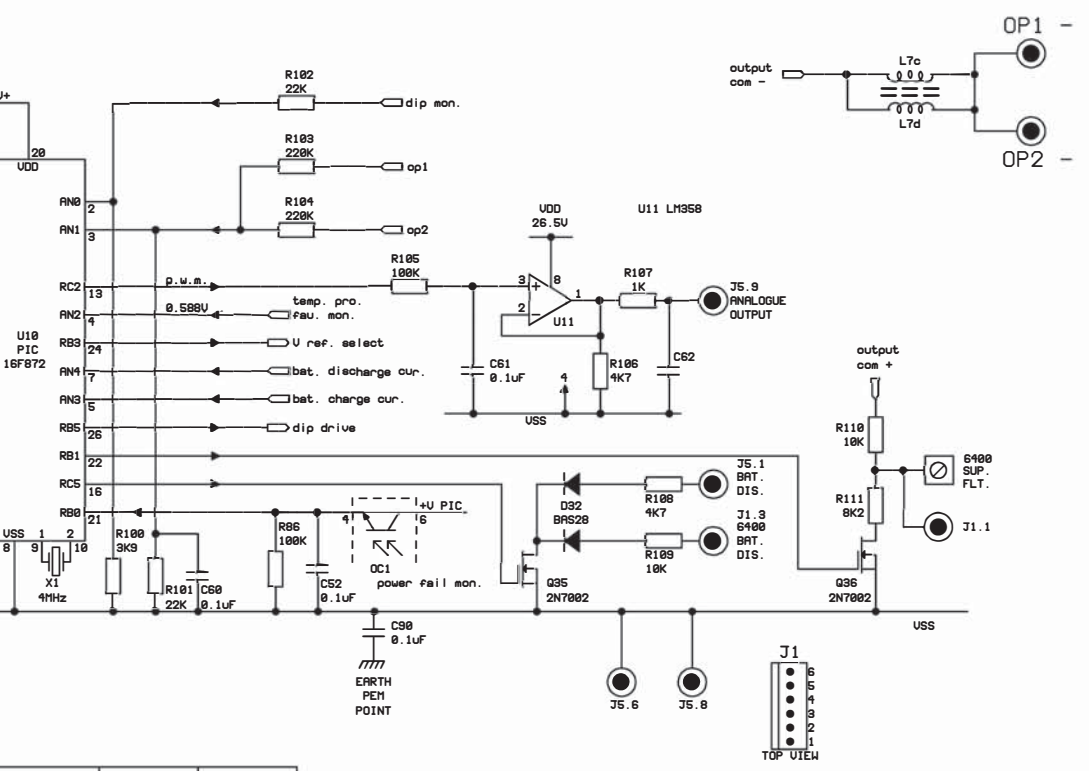
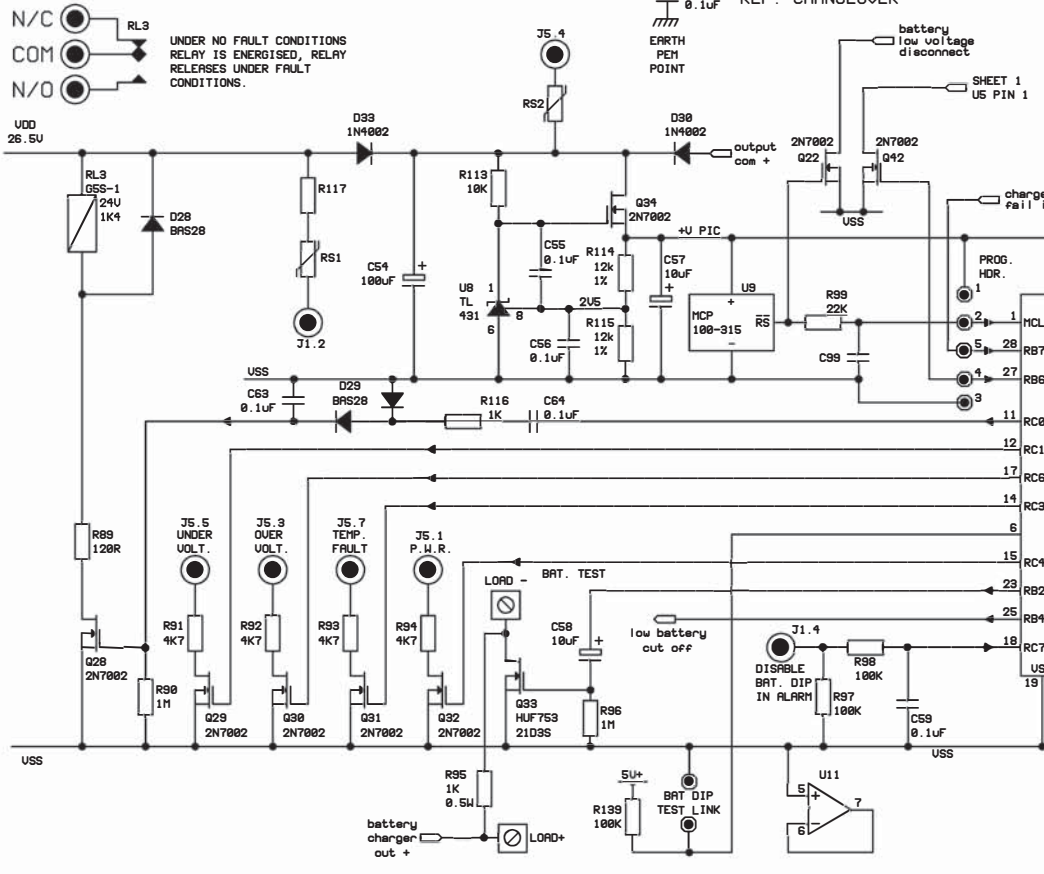
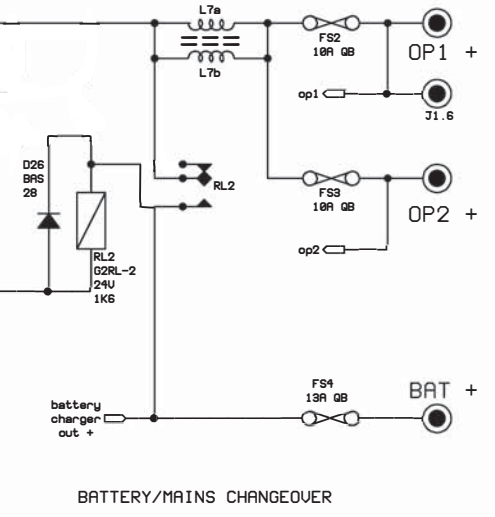
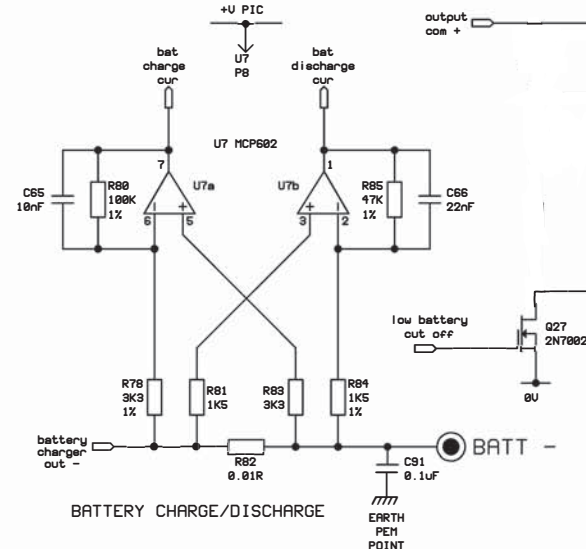
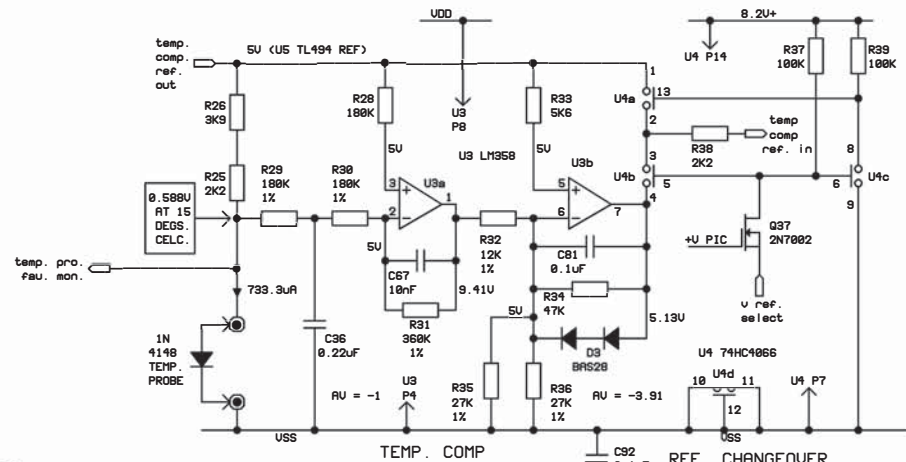


DRAWN	12/01/06	E. PRIEST
MODIFIED TO ECN4019	27/2/17	D. HOPE
CHECKED	27/2/17	N. HARLING
APPROVED	27/2/17	N. HARLING





UNDER NO FAULT CONDITIONS RELAY IS ENERGISED, RELAY RELEASES UNDER FAULT CONDITIONS.

SHEET 1 U5 PIN 1

