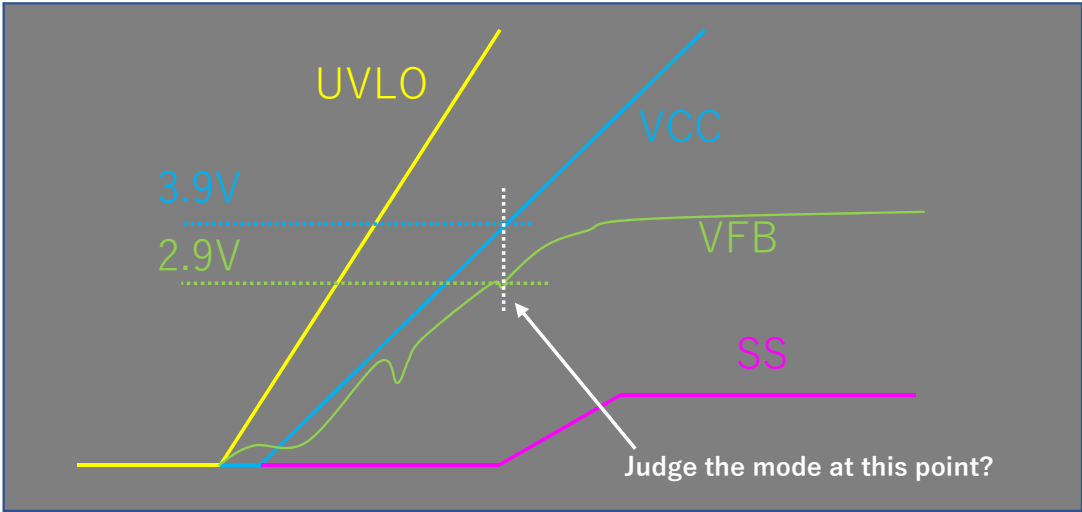


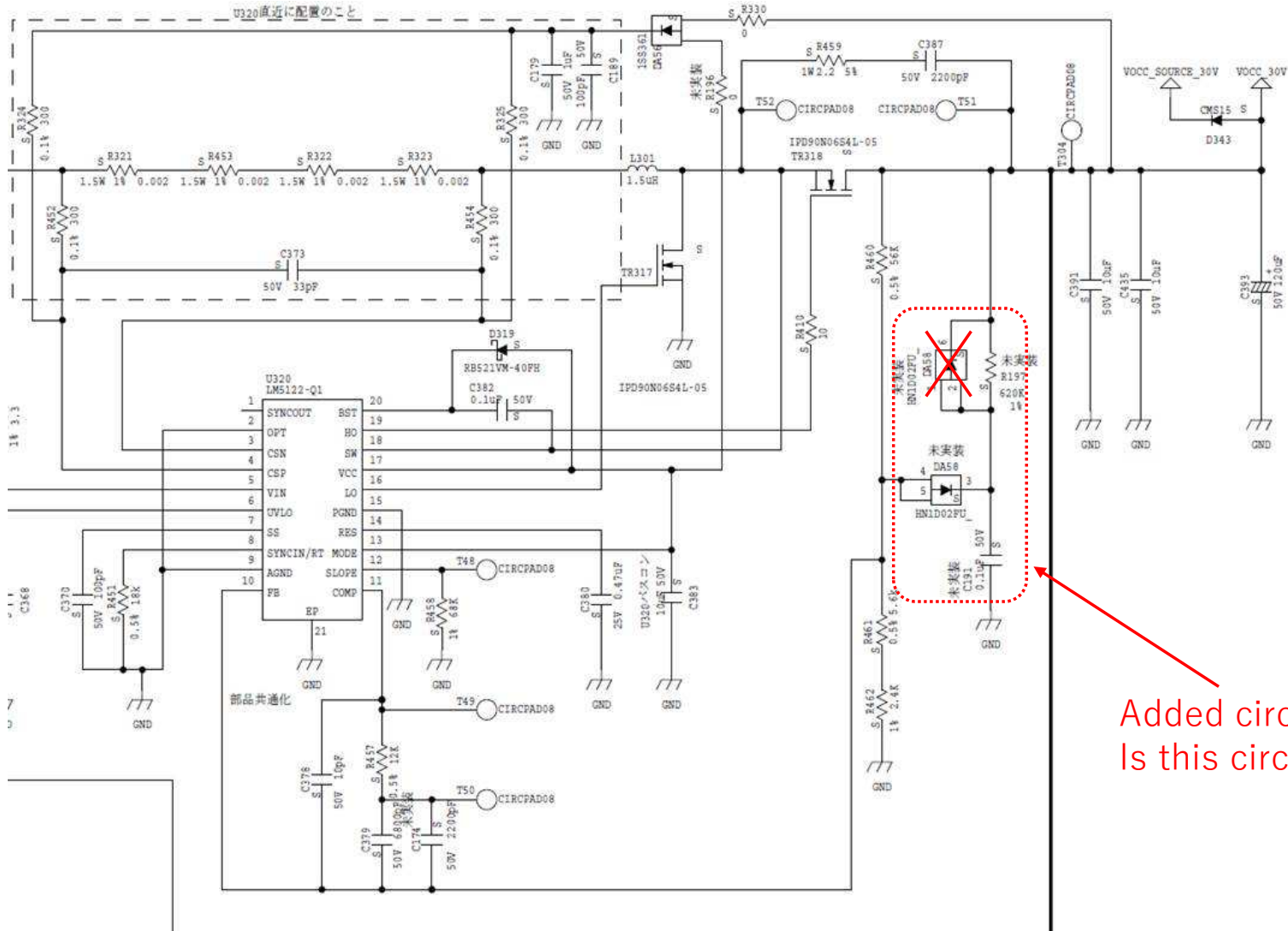
Startup waveform when falling into slave mode



VCC undervoltage threshold	VCC rising, $V_{VIN} = 4.5\text{ V}$	<u>3.9</u>	4	4.1	V
	VCC falling, $V_{VIN} = 4.5\text{ V}$			3.7	V

Slave mode threshold	FB rising	<u>2.2</u>	2.7	3.4	V
----------------------	-----------	------------	-----	-----	---

Countermeasure circuit



Added circuit for VFB rise up delay.
Is this circuit suitable?