

Inquiry about How to use the UCC2808A-1

Please tell me how to change the duty cycle ratio.
I have four questions. Thank you for your consideration.

- Q1. Can I get the expected waveform with this IC?
- Q2. Can I get the expect waveform(Fig.2) from the circuit in Fig.1?
- Q3. Please let me know the resistance values of R2, R3 and R4 when $T1=47\mu s$ and $T2=3\mu s$.
- Q4. Is it ok to short the RC to stop it?(For synchronizing with multiple ICs)

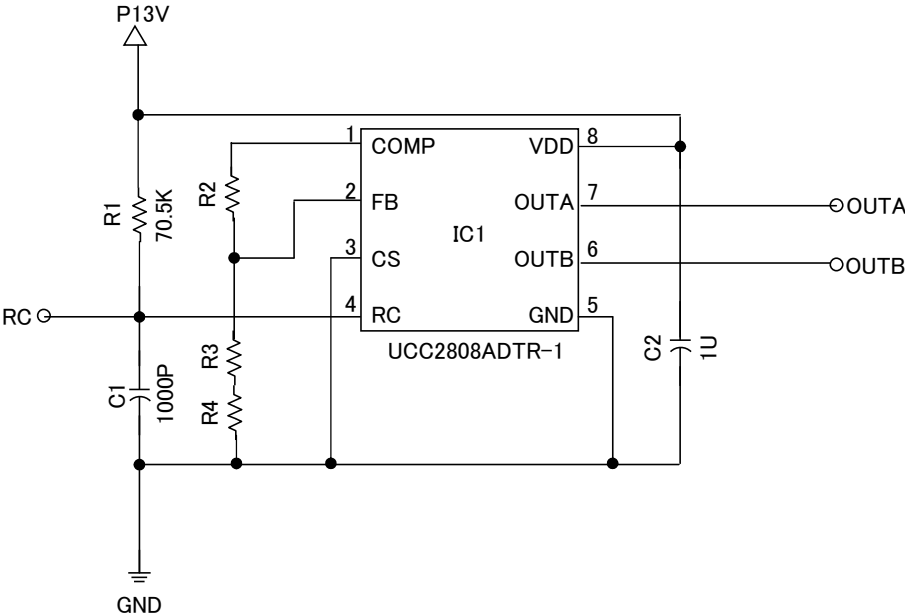


Fig.1 Test Circuit

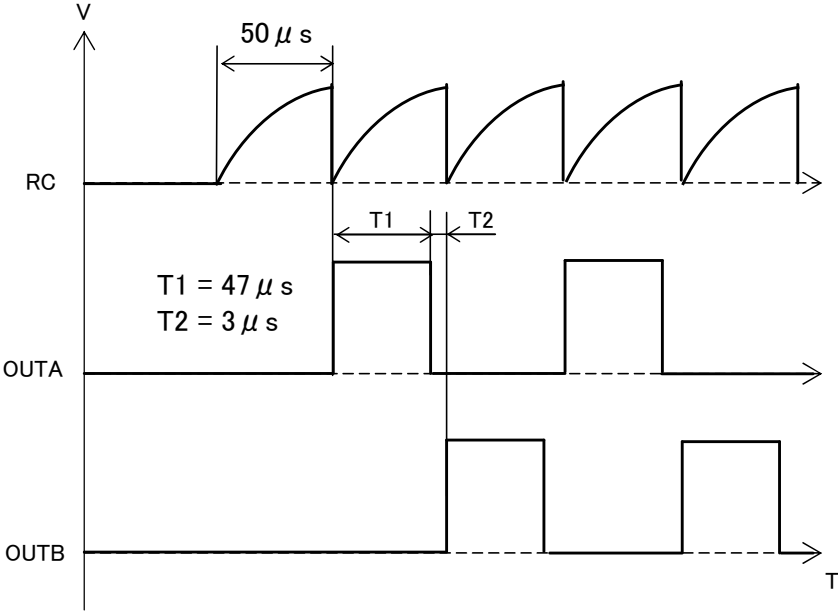


Fig.2 Expected Waveform