

Title		
Size	Number	Revision
A3		
Date:	2018/9/6	Sheet of
File:	D:\I.TE\YOGO POWER V1.1.SchDoc	Drawn By:



YOGO_POWER_V1.1

2018/08/28

JP6

8D

JP1

8C

F1

JP2

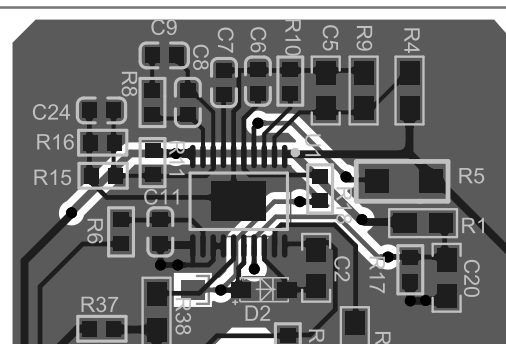
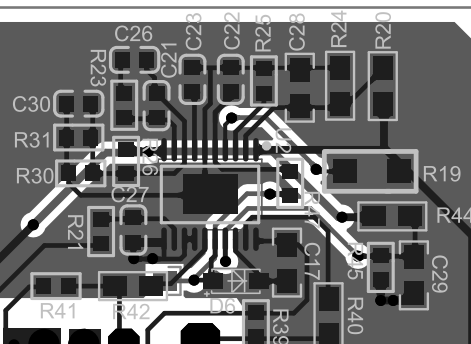
RM1

D4

D7

R34 LED1

JP3



PM1

C12

C15

E14

E13

E11

E6

E3

E1

E16

E15

E12

E5

E4

E2

E7

E6

E9

E10

D3

R31 LED3

JP4

D5

R33 LED8

JP5



C14

Comment	Description	Designator	Footprint	LibRef	Quantity
105 100V	Capacitor	C1, C3, C13, C16, C33, C34, C35	LC-1206_c	CAP	7
105 50V	Capacitor	C2, C17	LC-0805_c	CAP	2
NC	Capacitor	C4, C19	LC-1206_c	CAP	2
105 25V	Capacitor	C5, C10, C25, C28	LC-0805_c	CAP	4
331 50V	Capacitor	C6	LC-0603_C	CAP	1
103 50V	Capacitor	C7, C23	LC-0603_C	CAP	2
150 50V	Capacitor	C8	LC-0603_C	CAP	1
152 50V	Capacitor	C9	LC-0603_C	CAP	1
NC	Capacitor	C11, C24, C27, C30	LC-0603_C	CAP	4
1nF/2kv	Capacitor	C12, C15	LC-1206_C	CAP	2
104 50V	Capacitor	C14	LC-0603_C	CAP	1
476 6.3V	Capacitor	C18, C31, C32	LC-1206_c	CAP	3
NC	Capacitor	C20, C29	LC-0805_c	CAP	2
101 50V	Capacitor	C21	LC-0603_C	CAP	1
271 50V	Capacitor	C22	LC-0603_C	CAP	1
333 50V	Capacitor	C26	LC-0603_C	CAP	1
226 16V	Capacitor	C36, C37, C38	LC-1206_c	CAP	3
1N4148W	Default Diode	D2, D6	LC-SOD-123F	Diode	2
SMBJ15CA	Schottky Diode	D3	LC-SMB(DO-214AA) TVS	DIODE SCHOTTKY	1
SMBJ64CA	Schottky Diode	D4	LC-SMB(DO-214AA) TVS	DIODE SCHOTTKY	1
SMBJ30CA	Schottky Diode	D5	LC-SMB(DO-214AA) TVS	DIODE SCHOTTKY	1
SMBJ6.0CA	Schottky Diode	D7	LC-SMB(DO-214AA) TVS	DIODE SCHOTTKY	1
MBRF10100CT	Default Diode	D8, D9	WHL_TO-220-BACK	Diode TO-220	2
47uF/100V		E1, E2, E7, E8, E11, E12	WHL-CAP-8X11	WHLELECTRO	6
270uF 16V		E3, E4, E5, E6, E13, E14, E15, E16	WHL-CAP-8X11	WHLELECTRO	8
100uF/50V		E9, E10	WHL-CAP-8x11	WHLELECTRO	2
15A	Fuse	F1	FULS_10A_SMD	FUSE2	1
MR30PW-M		JP1	WHL-XT30PW-M	CON4	1
XT60PW		JP2	WHL-HX42003-4WAG	CON4	1
HX3004-10A		JP3	WHL_HX3002-10WA	CON10	1
HX3004-8A		JP4	WHL_HX3002-8WA	CON8	1
HX3004-8A		JP5	WHL_HX3002-4WA	CON4	1
MR30PW-F		JP6	WHL-XT30PW-F	CON4	1
PR148-103		L2	PR148	WHLL	1
PR148-682		L5	PR148	WHLL	1
RED		LED1, LED2, LED3	LC-0603_LED_S4	WLED	3
URB4824LD-20WR3		PM1	WHL_URLD-20WR3-3D	DCDC_1	1
IPP086N10N3G		Q1, Q2, Q3, Q4	WHL_TO-220-BACK	MOSFET N	4
NC		R1, R7, R22, R44	LC-0805_r	R	4
75K		R4, R20	LC-0805_r	R	2
1M		R5, R19	LC-1206_R	R	2
0Ω		R6, R17, R21, R45	LC-0603_R	R	4
39K		R8	LC-0603_R	R	1
6.8K		R9, R24	LC-0805_r	R	2
12.4K		R10, R25	LC-0603_R	R	2
9.76K		R11	LC-0603_R	R	1
20mΩ		R12, R13	LC-2512_R	R	2
NC		R14, R29	LC-1206_R	R	2
NC		R15, R30, R47	LC-0603_R	R	3
1.1K		R16	LC-0603_R	R	1
750k		R18	LC-0603_R	R	1
18K		R23	LC-0603_R	R	1
3.74K		R26	LC-0603_R	R	1
15mΩ		R27, R28	LC-2512_R	R	2
1.21K		R31	LC-0603_R	R	1
4.7k		R32, R34	LC-0603_R	R	2
10k		R33, R35, R37, R39, R41	LC-0603_R	R	5
10Ω		R36, R38, R40, R42	LC-0805_r	R	4
14D101K		RM1	WHL-14D101K	R_1	1
静电标识		T1	静电标识	静电标识	1
垃圾桶		T2	垃圾桶	静电标识	1
LOGO		T3	WHL_YOGO_LOGO	静电标识	1
		TP29, TP30, TP31, TP32	WHL_PAD_M3	TEST-1	4
LM5116MHX	BUCK+同步整流IC	U1, U2	LM5116MHX	LM5116MHX	2