



亞信電子
YAXIN ELECTRONIC TECH

SPECIFICATION FOR APPROVAL

CUSTOMER: K115

DESCRIPTION: 1000W RESONANT CHOKE 15uH

YAXIN PART NO: YXS70323T

CUSTOMER PN: RESONANT CHOKE 15uH Rev:A

CHOP&SIGNATURES:(YAXIN PREPARED)		
MADE BY	CHECKED BY	APPROVED BY
Yue Jun	Yue Jun	Owen

CUSTOMER APPROVAL



ISO9001:2008



ISO14001:2004



IATF16949:2016



File no:E342506

The environmental requirements



APPROVAL SAMPLE SUBMIT									
PROTOTYPE SAMPLE			DV SAMPLE			PV SAMPLE			NOTE
QTY'S(PCS)	DATE	APPROVED	QTY'S(PCS)	DATE	APPROVED	QTY'S(PCS)	DATE	APPROVED	

CONTACT:

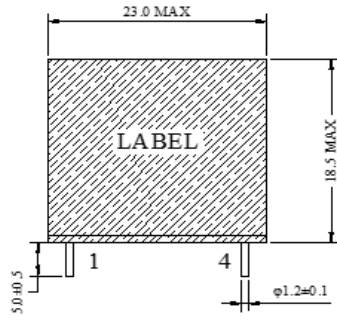
E-mail:yaxin.ella@yx-magnetics.net

TEL:+86-755-33691163 ext 8032

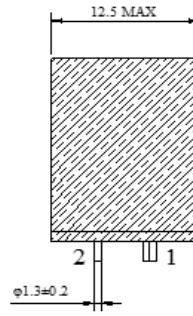
Address:Innovation Park,GenYu Road,GuangMing New District,Shenzhen City,Guangdong Province,China

SPECIFICATION

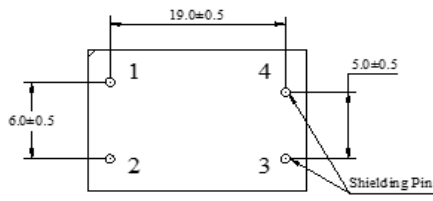
MECHANICAL SPECIFICATION: (mm)



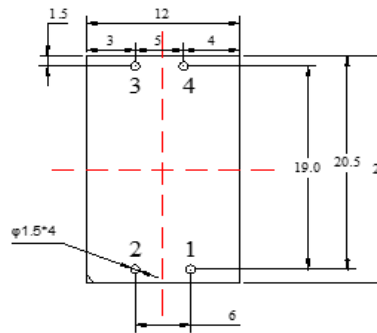
FRONT VIEW



SIDE VIEW



BOTTOM VIEW



PCB LAYOUT

LABEL

1000W RESONANT CHOKE 15uH
YAXIN YYWW X

REV:版本

WW:周 (1: 01; 2: 02...)

YY:年 (2019: 19; 2020: 20...)

NOTES:

1. Wrap two turns tape to fix two cores.
2. Windings must wrap two turns tape and the tape extend into coils around 3mm.
3. Need vacuum varnish process.(The vacuum need have 75cmHg and work time should be 10~15minute.)

SPECIFICATION

5.MATERIAL LIST(All RoHS Compliant):

NO.	NAME	MATERIAL	RATING	UL NO.	MANUFACTURER
1	FERRITE CORE	PQ2011 DMR95	NA	NA	DMEGC MAGNETICS CO.,LTD
		PQ2011 HE6	NA	NA	HPC DONGYANGGUANG MAGNETICS CO.,LTD
		PQ2011 PG313	NA	NA	GUANGDONG FENGHUA ADVANCED HOLDING CO LTD
2	BASE	FR-1 & FR-4	130℃	E123995	KINGBOARD LAMINATES LTD
3	INSULATION TAPE	PF-301	180℃	E165111	JINGJIANG YAHUA PRESSURE SENSITIVE GLUE CO LTD
		PB416F	180℃	E81174	CHYUN YIH TAPE CO LTD
		#92	180℃	E17385	3M COMPANY
		1388Y-1	130℃	E17385	3M COMPANY ELECTRICAL MARKETS DIV(EMD)
		CT-280	130℃	E165111	JINGJIANG YAHUA PRESSURE SENSITIVE GLUE CO LTD
4	NOMEX	NOMEX 410	220℃	E172395	E I DUPONT DE NEMOURS & CO INC
5	WIRE	Xuew@/155	155℃	E334055	SHENZHEN JIAZHENGXIN INDUSTRIAL CO LTD
		Xuew-F@/155	155℃	E339217	ZHUHAI WEIHAN WIRE CO LTD
6	TUBE	TFL	200℃	E156256	GREAT HOLDING INDUSTRIAL CO LTD
		CB-TT-L	200℃	E180908	CHANGYUAN ELECTRONICS GROUP CO LTD
4	EPOXY	3300HF/3300ZH-F	90℃	E218090	DONGGUAN EATTO ELECTRONIC MATERIAL CO LTD
		EP3189H/S	90℃	E475498	DONGGUAN CITY ERLANG INDUSTRIAL CO LTD
		G657	NA	NA	DONGGUAN CITY ERLANG INDUSTRIAL CO LTD
5	VARNISH	V1630FS	130℃	E75225	ELANTAS ELECTRICAL INSULATION ELANTAS PDG INC
		DA-700-*	130℃	E347463	HUIZHOU QIANG DA ELECTRONICS INDUSTRY CO LTD
		TVB-2180T	155℃	E83702	KYOCERA CHEMICAL CORP



亞信發展有限公司

YAXIN DEVELOPMENT CO LIMITED

Customer P/N.	RESONANT CHOKE 15uH
Customer Rev.	A
Yaxin P/N.	YXS70323T