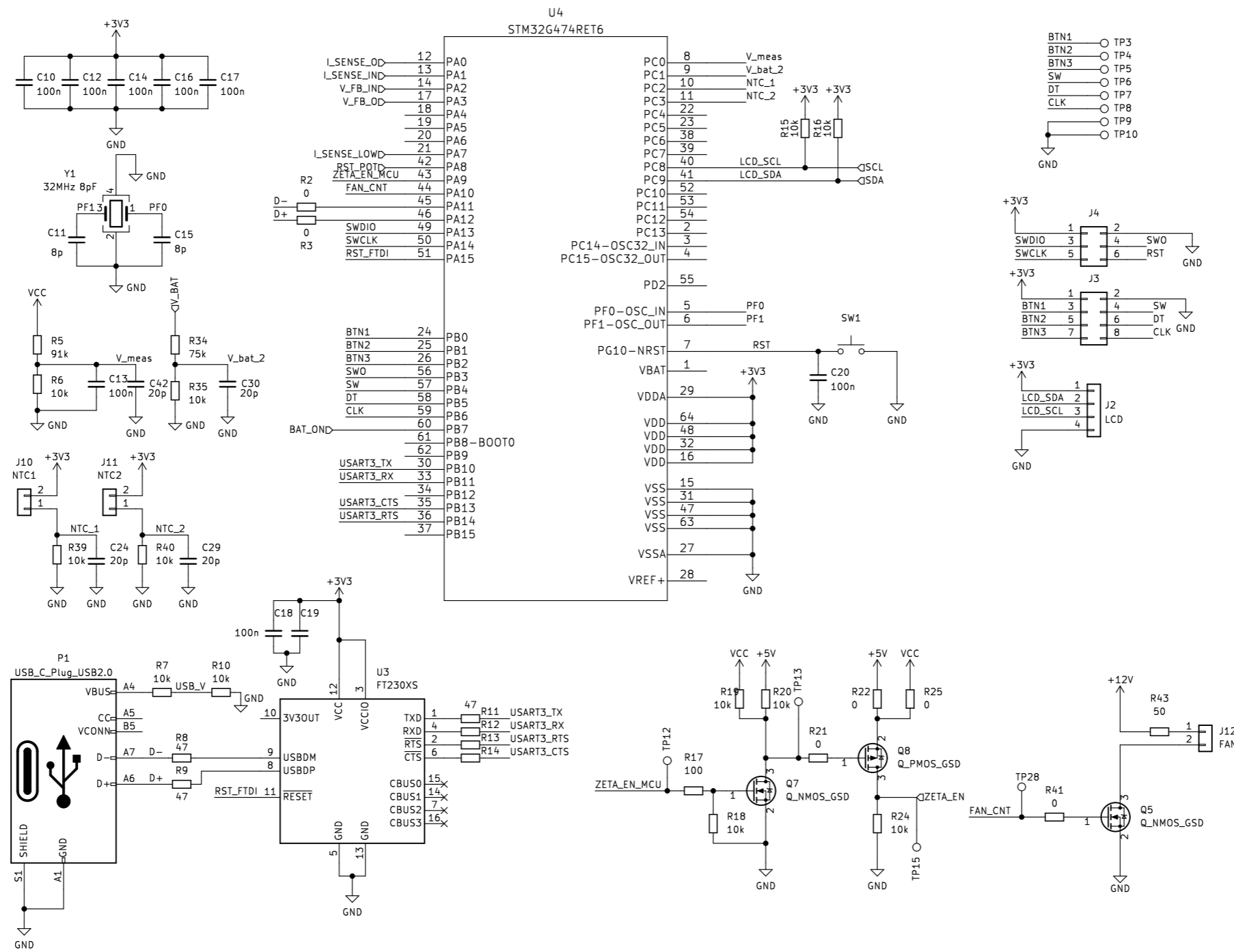


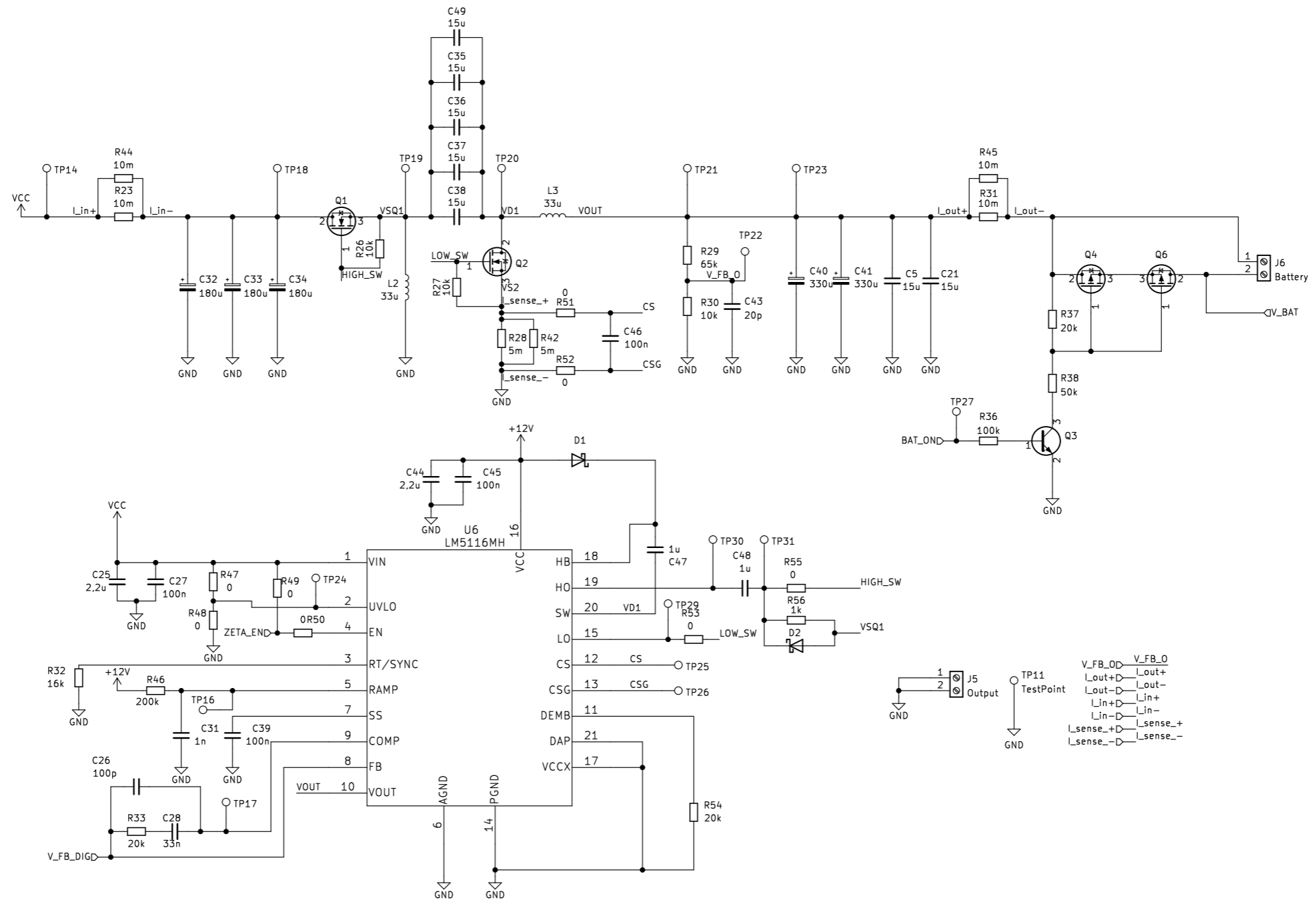
Sheet:  
File: Power\_Supply.kicad\_sch

**Title:**

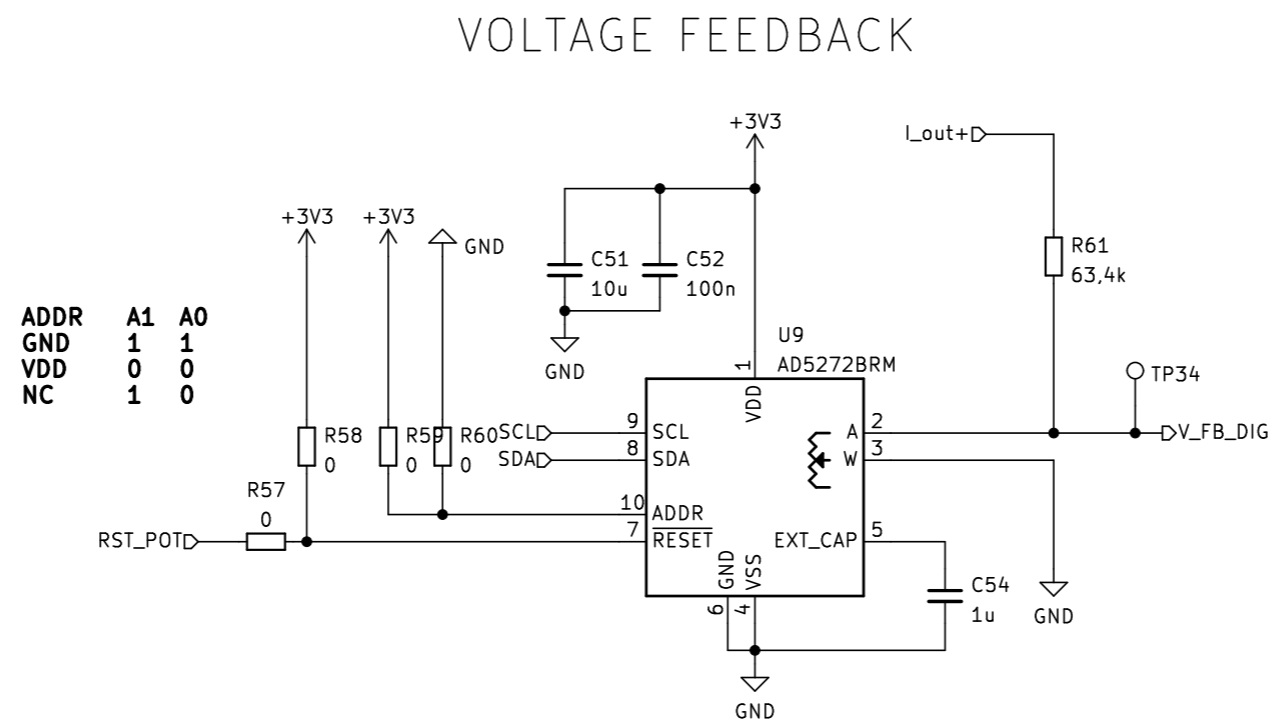
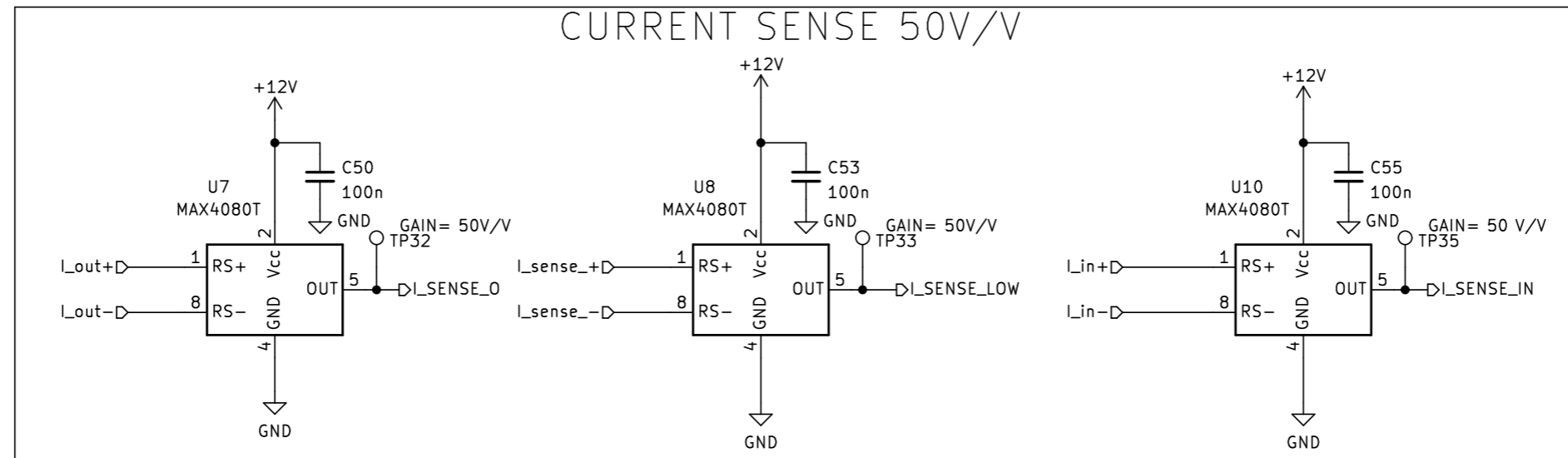
Size: A4 Date:  
KiCad E.D.A. kicad (7.0.0)

**Rev:**  
Id: 2/5





Sheet:		
File: untitled.kicad_sch		
<b>Title:</b>		
Size: A3	Date:	Rev:
KiCad E.D.A. kicad (7.0.0)		Id: 4/5



Sheet:  
File: current\_sense.kicad\_sch

**Title:**

Size: A4  
KiCad E.D.A. kicad (7.0.0)

Date:

**Rev:**  
Id: 5/5