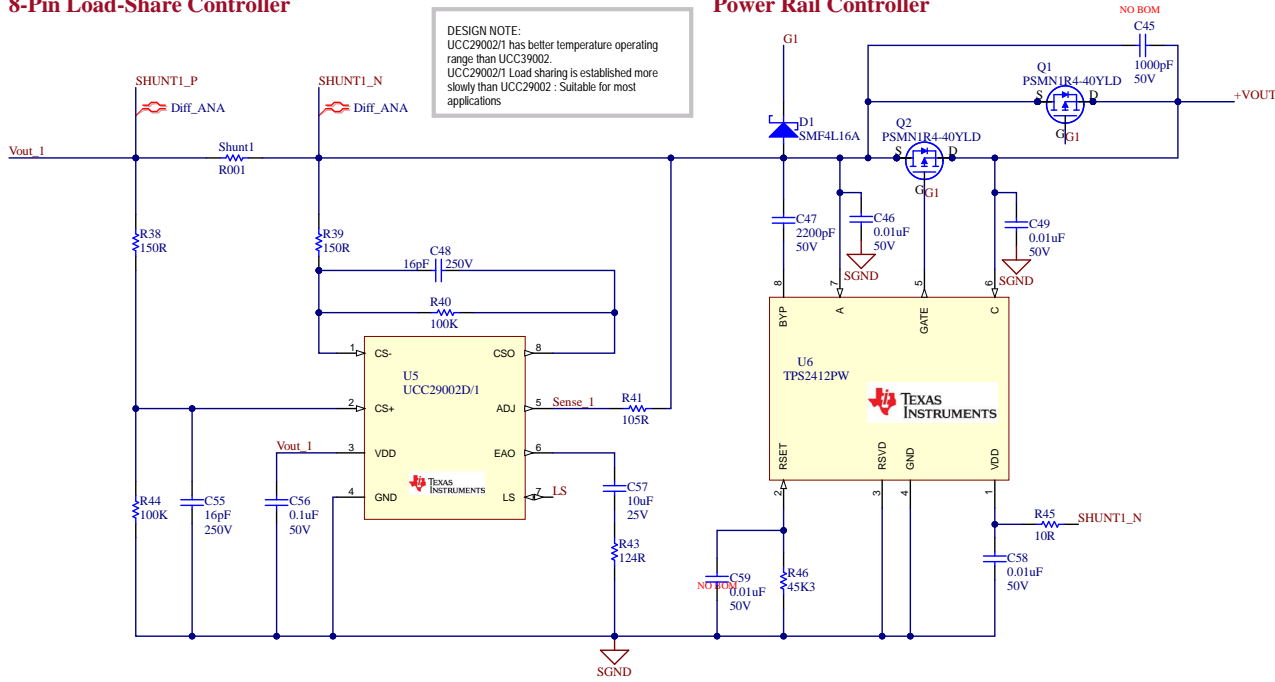


POWER SUPPLY OR-ing & LOAD SHARING

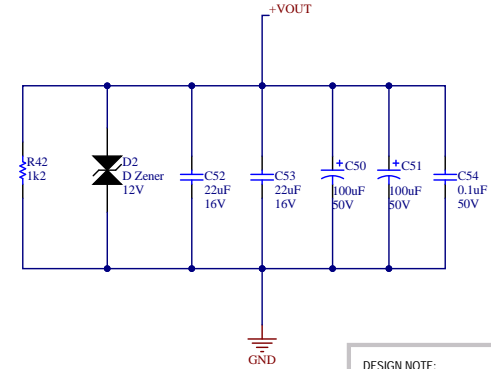
UCC39002/UCC29002 Advanced 8-Pin Load-Share Controller

TPS2412 N+1 (Paralleling) Power Rail Controller

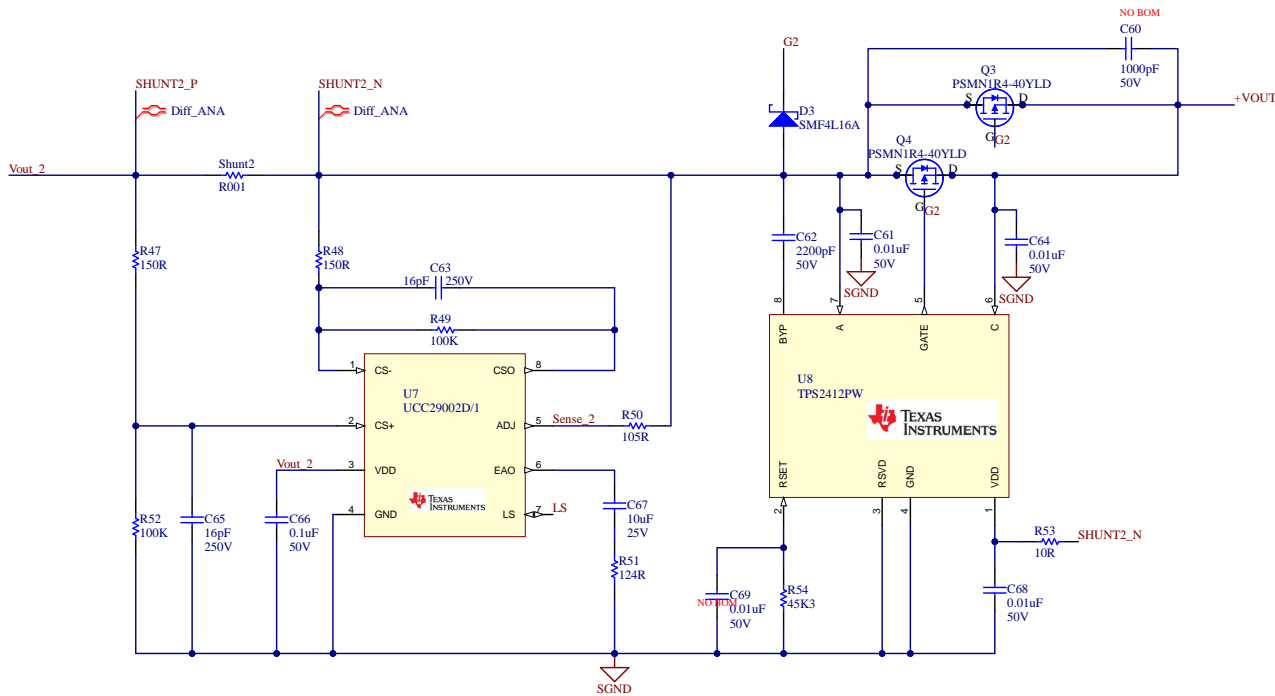
DESIGN NOTE:
UCC29002/1 has better temperature operating range than UCC39002.
UCC29002/1 Load sharing is established more slowly than UCC29002 : Suitable for most applications



Output Filter



DESIGN NOTE:
R42, maintain minimum load current of around 10mA. Usefull for TPS2412



DESIGN NOTE:
SGND is related to "quiet area" on PCB.
--> ensured by both mechanical and plane coutout !

