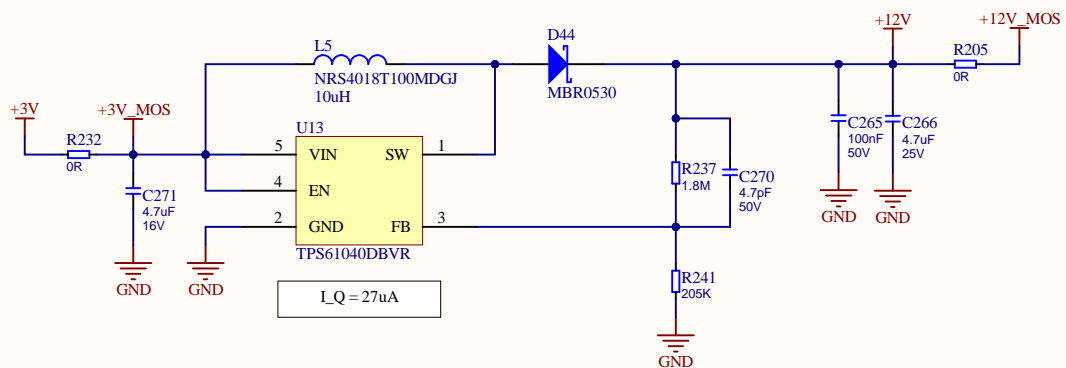
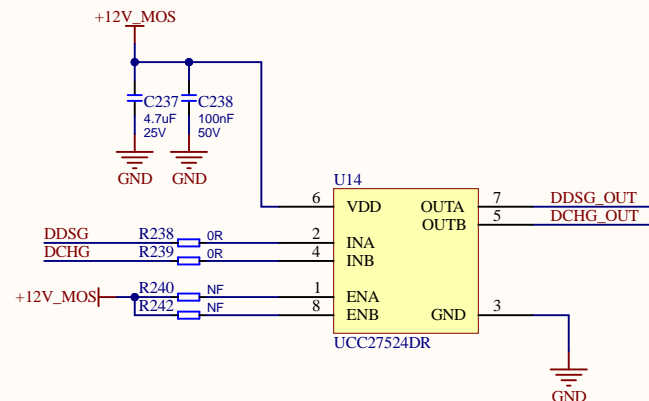


[08] - DRIVER

Step-Down DC/DC (12V)



MOS Driver



PWR-to-CTRL Connector

