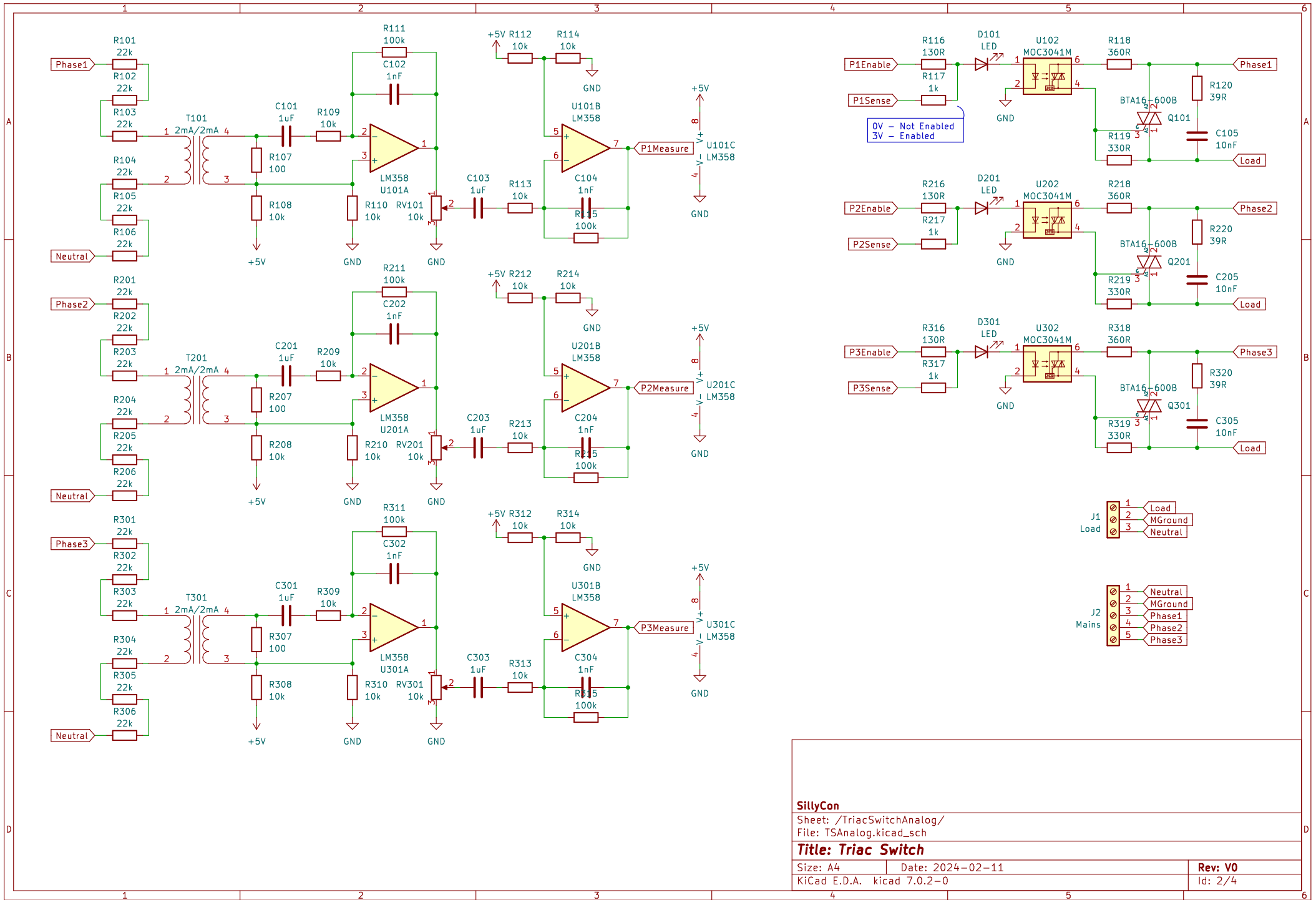


	1	2	3	4	5	6
A	<p>TriacSwitchAnalog <input type="text"/> File: TSAnalog.kicad_sch</p> <p>TriacSwitchPIC <input type="text"/> File: TSPic.kicad_sch</p> <p>TriacSwitchSupply <input type="text"/> File: TSSupply.kicad_sch</p>					
B						
C						
D						
	1	2	3	4	5	6

SillyCon	
Sheet: /	
File: TriacSwitch.kicad_sch	
Title: Triac Switch	
Size: A4	Date: 2024-02-11
KiCad E.D.A. kicad 7.0.2-0	Rev: V0
	Id: 1/4



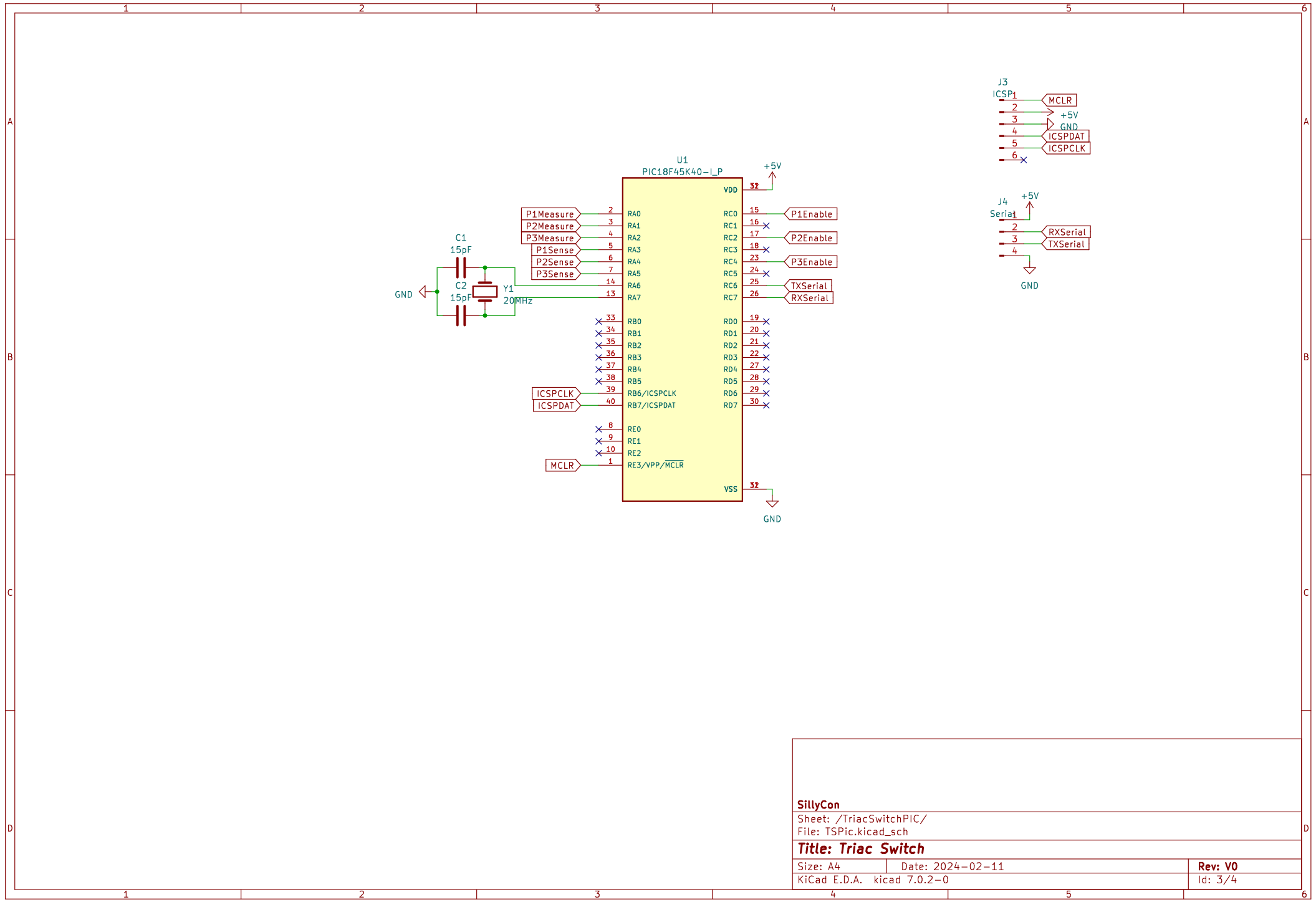
SillyCon

Sheet: /TriacSwitchAnalog/
 File: TSAnalog.kicad_sch

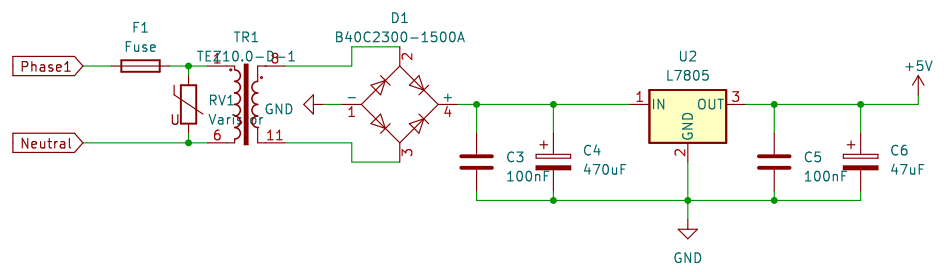
Title: Triac Switch

Size: A4 Date: 2024-02-11
 KiCad E.D.A. kicad 7.0.2-0

Rev: V0
 Id: 2/4



SillyCon	
Sheet: /TriacSwitchPIC/	
File: TSPic.kicad_sch	
Title: Triac Switch	
Size: A4	Date: 2024-02-11
KiCad E.D.A. kicad 7.0.2-0	Rev: V0
	Id: 3/4



SillyCon

Sheet: /TriacSwitchSupply/
File: TSSupply.kicad_sch

Title: Triac Switch

Size: A4 Date: 2024-02-11
KiCad E.D.A. kicad 7.0.2-0

Rev: V0
Id: 4/4