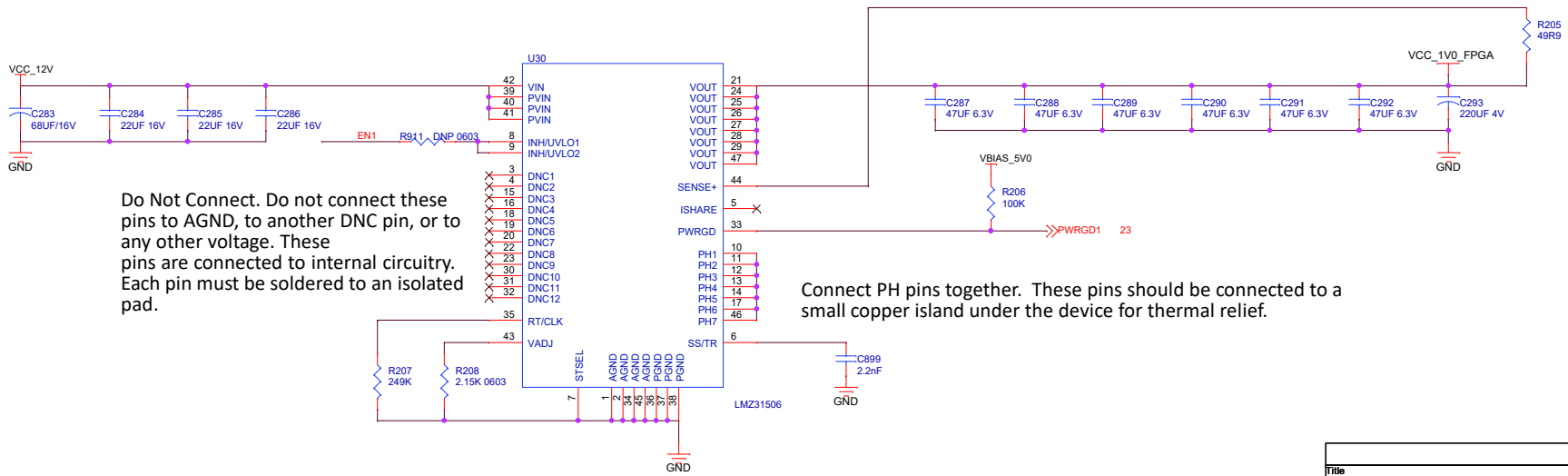
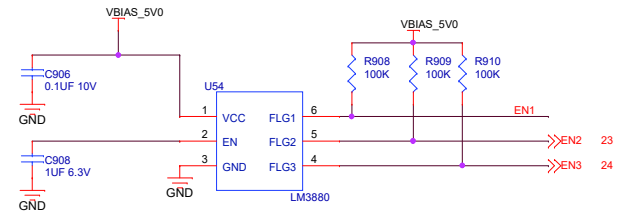
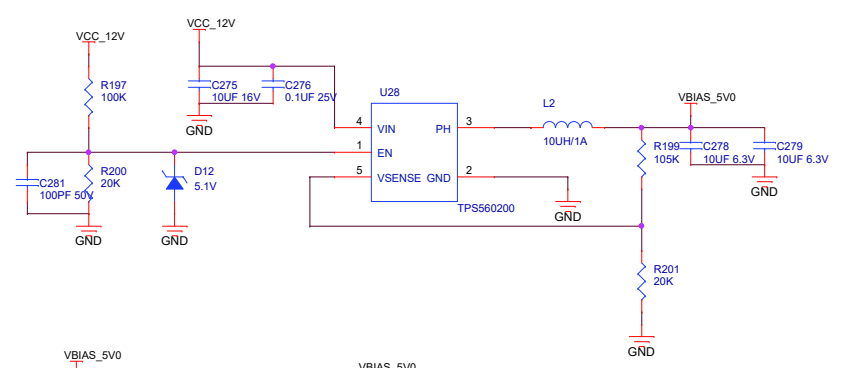
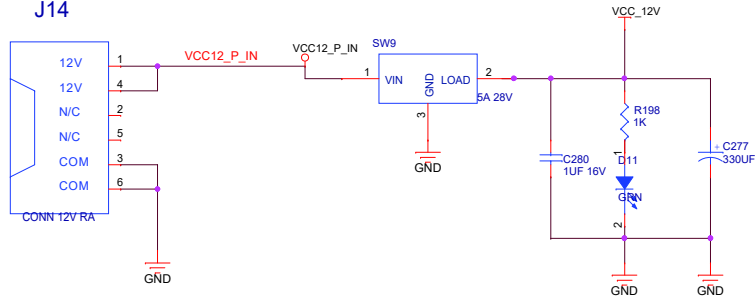


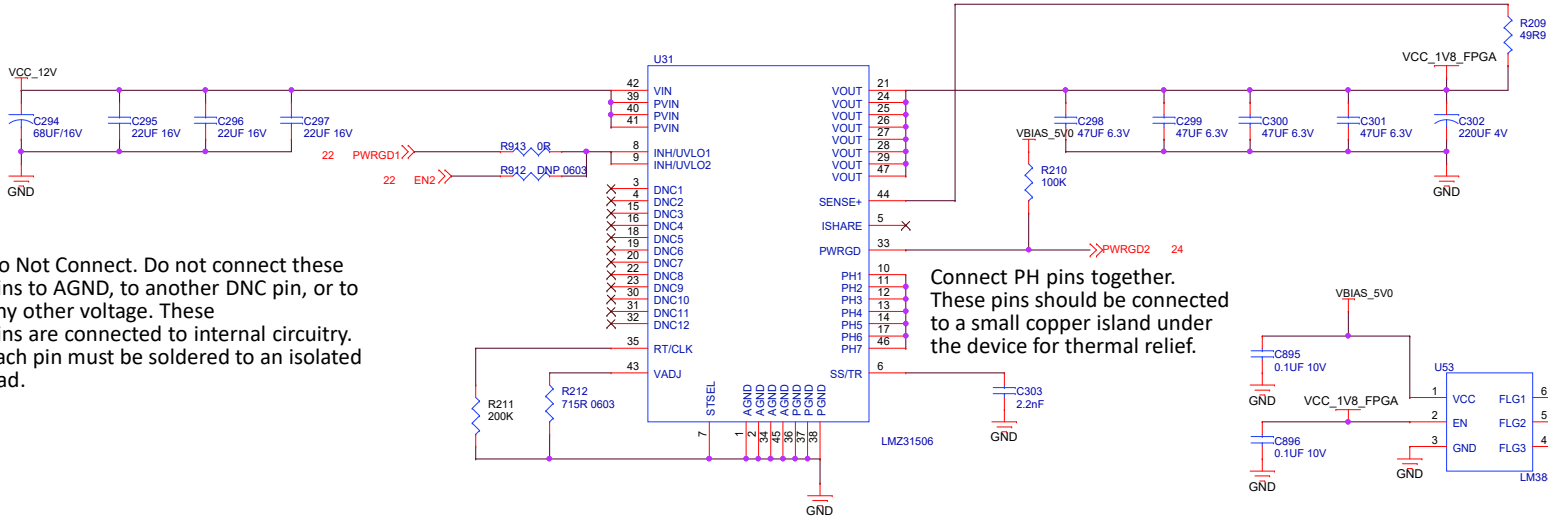
J14



Do Not Connect. Do not connect these pins to AGND, to another DNC pin, or to any other voltage. These pins are connected to internal circuitry. Each pin must be soldered to an isolated pad.

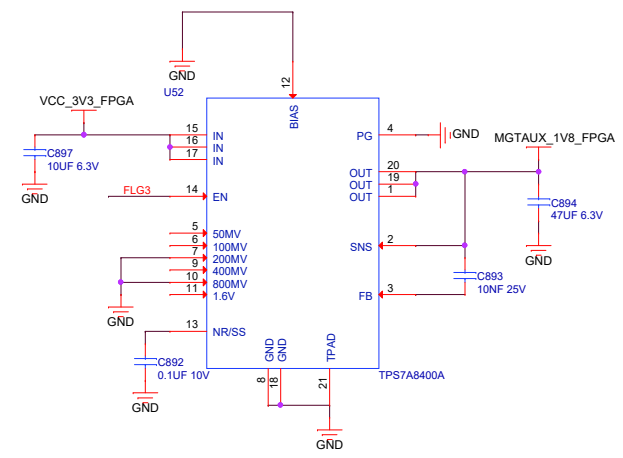
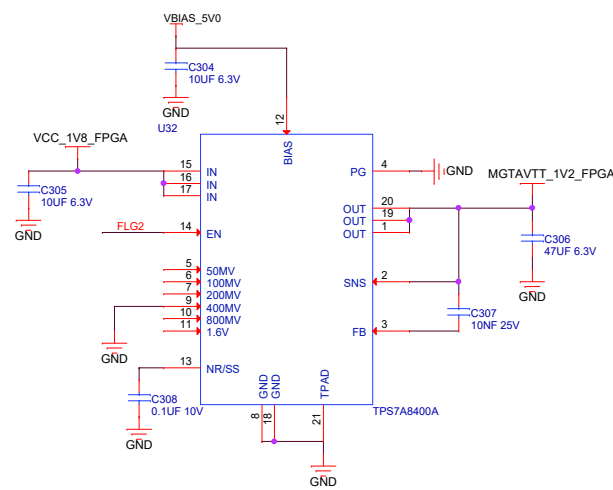
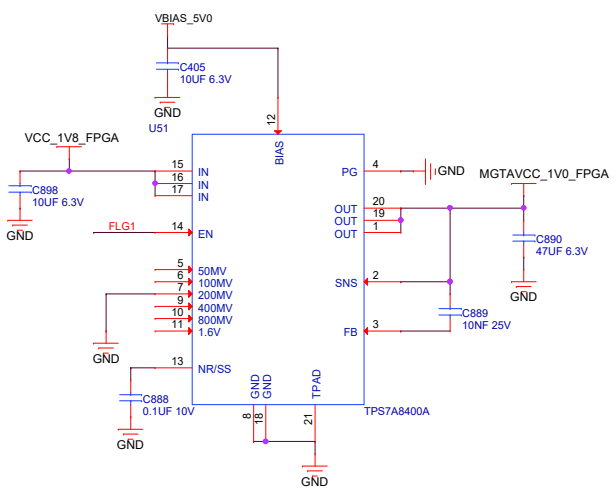
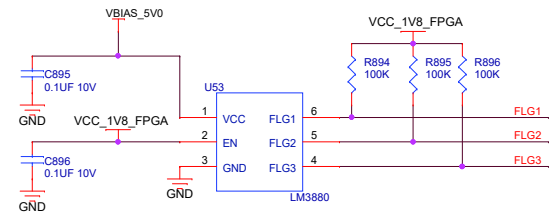
Connect PH pins together. These pins should be connected to a small copper island under the device for thermal relief.

Title		
AWG		
Size	Document Number	Rev
B	SCH003-2016	A
Date:	Thursday, August 23, 2018	Sheet 22 of 26

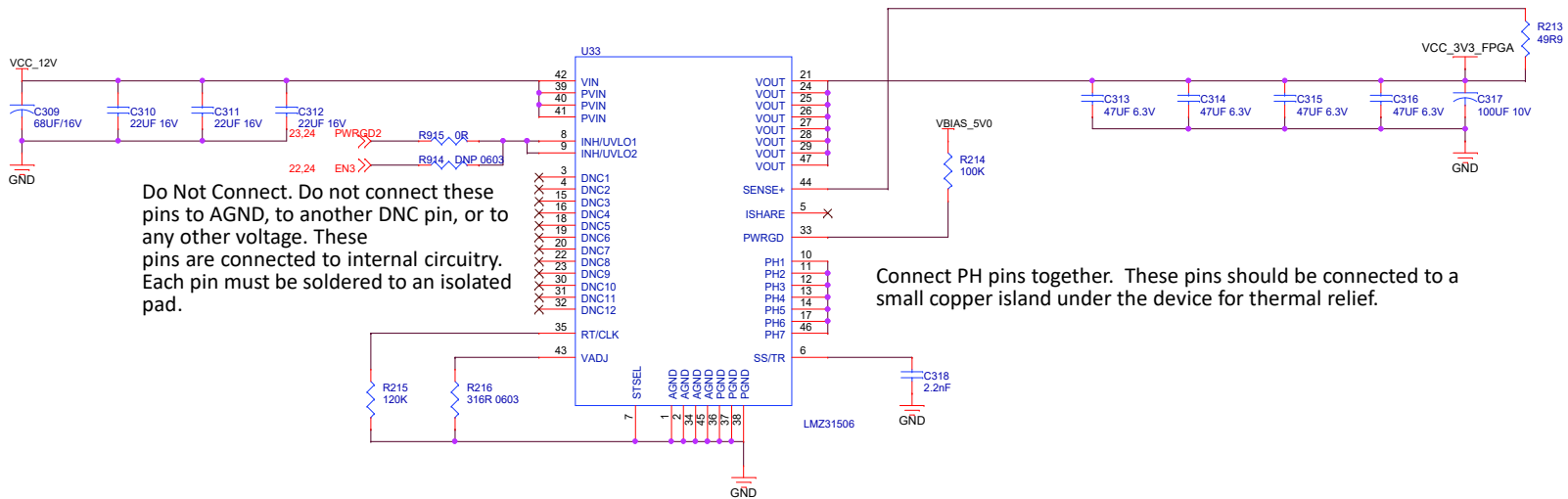


Do Not Connect. Do not connect these pins to AGND, to another DNC pin, or to any other voltage. These pins are connected to internal circuitry. Each pin must be soldered to an isolated pad.

Connect PH pins together. These pins should be connected to a small copper island under the device for thermal relief.

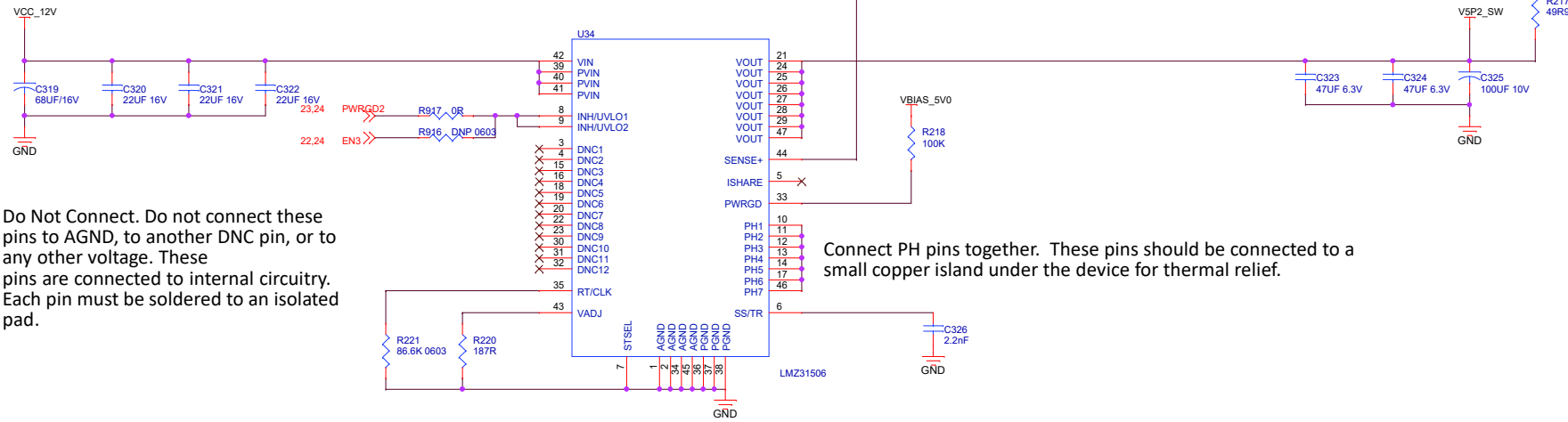


Title		
AWG		
Size	Document Number	Rev
B	SCH003-2016	A
Date:	Thursday, August 23, 2018	Sheet 23 of 26



Do Not Connect. Do not connect these pins to AGND, to another DNC pin, or to any other voltage. These pins are connected to internal circuitry. Each pin must be soldered to an isolated pad.

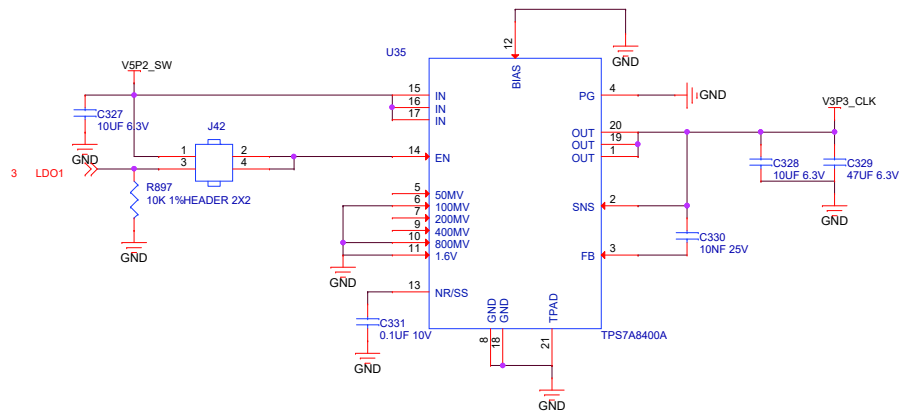
Connect PH pins together. These pins should be connected to a small copper island under the device for thermal relief.



Do Not Connect. Do not connect these pins to AGND, to another DNC pin, or to any other voltage. These pins are connected to internal circuitry. Each pin must be soldered to an isolated pad.

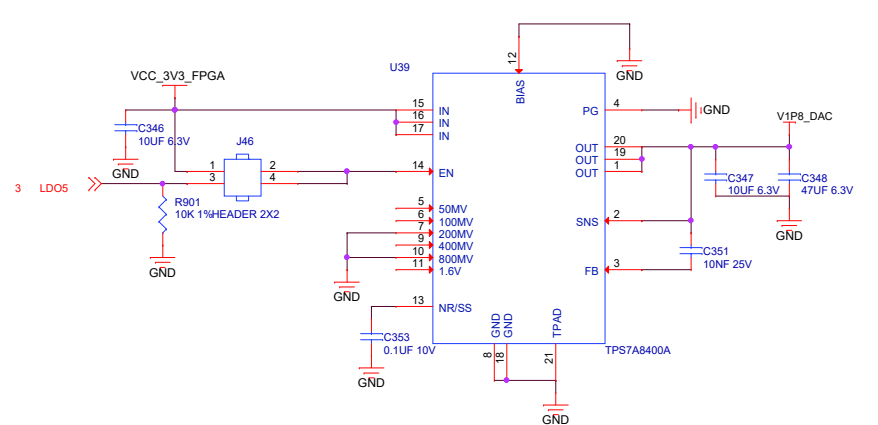
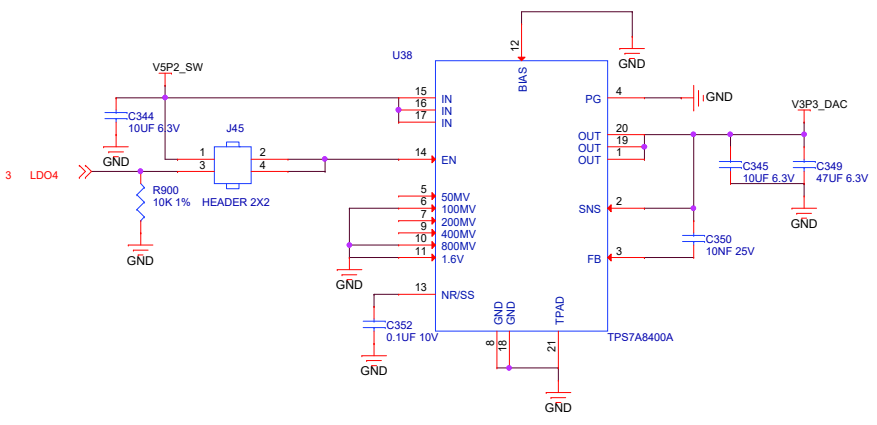
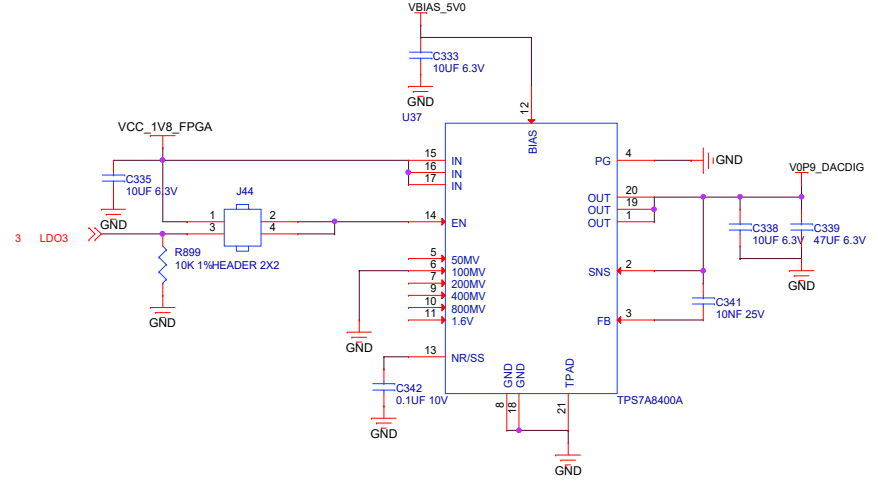
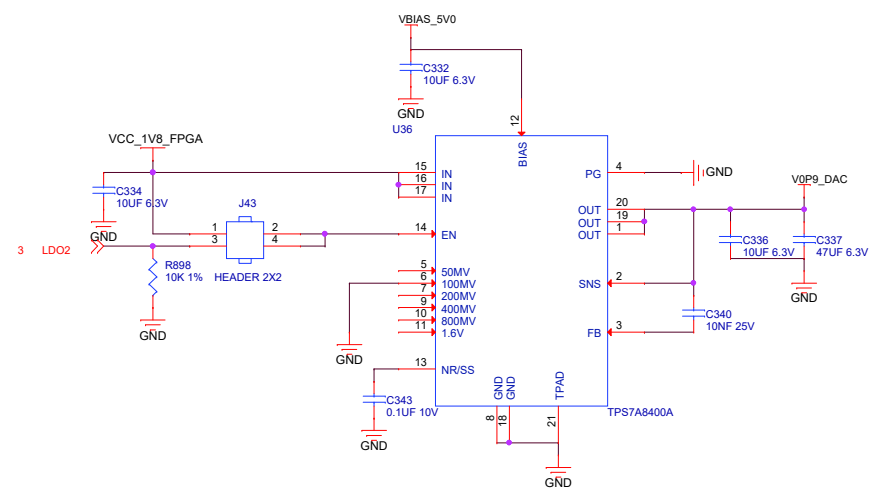
Connect PH pins together. These pins should be connected to a small copper island under the device for thermal relief.

Title		
AWG		
Size	Document Number	Rev
B	SCH003-2016	A
Date:	Thursday, August 23, 2018	Sheet 24 of 26



LDOs

Title		
AWG		
Size	Document Number	Rev
B	SCH003-2016	A
Date:	Thursday, August 23, 2018	Sheet 25 of 26



Title		
AWG		
Size	Document Number	Rev
B	SCH001-2016	A
Date:	Thursday, August 23, 2018	Sheet 26 of 26