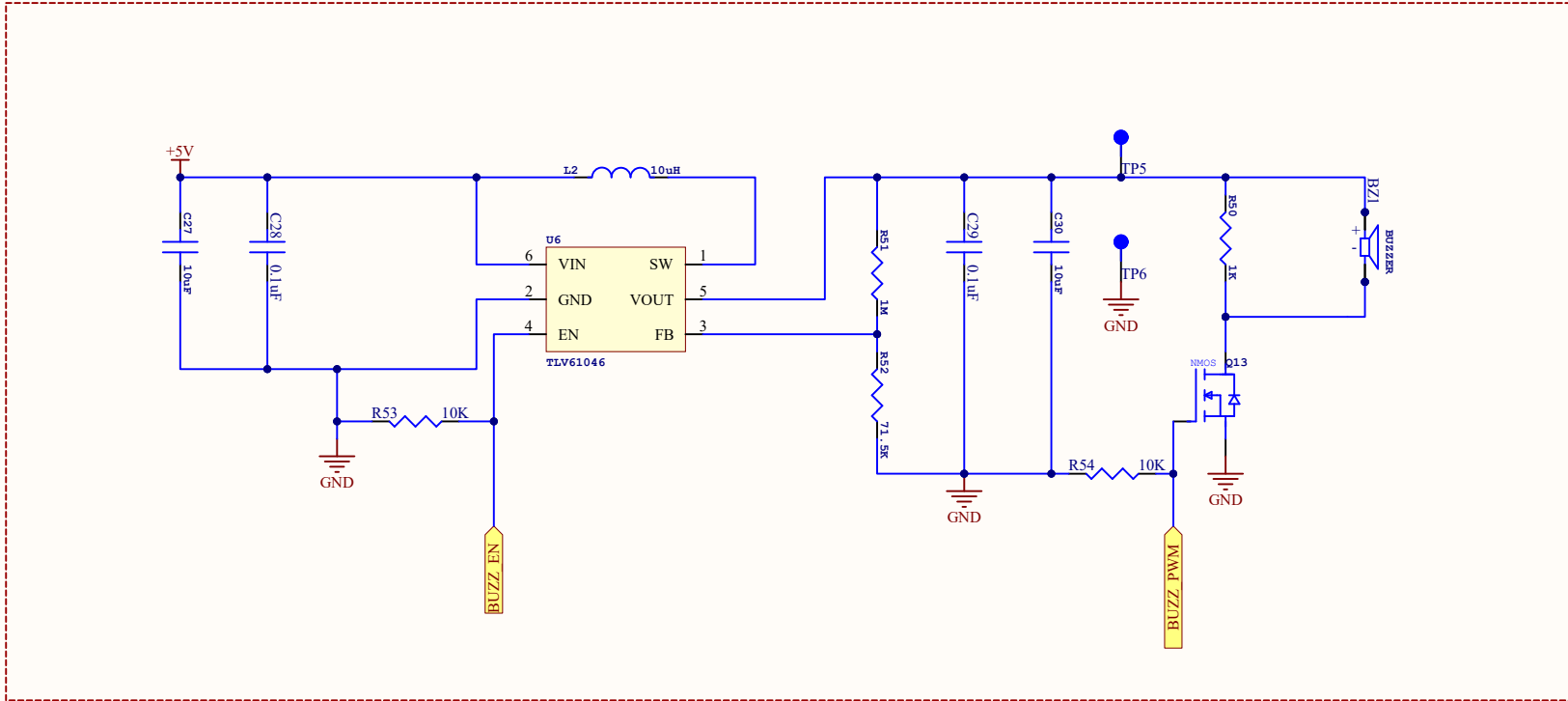


BUZZER



Title:			Designer:	Cannot open file E:\Brainchild Engineering\Brain child\Brainchild\B rainchild_PCB_Te mplates\Transpare nt logo.png. File Brainchild Engineering
Size: A4	Number: 8	Revision:		
Date: 1/17/2023 Time: 9:15:00 PM				
Sheet 8 of 11				
Company: Address:				