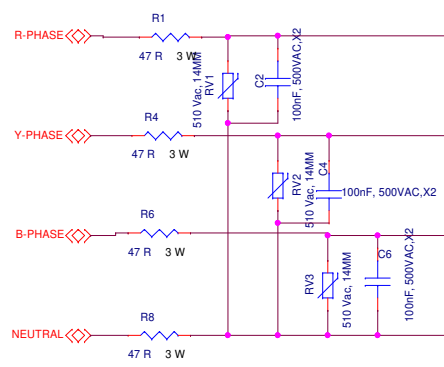
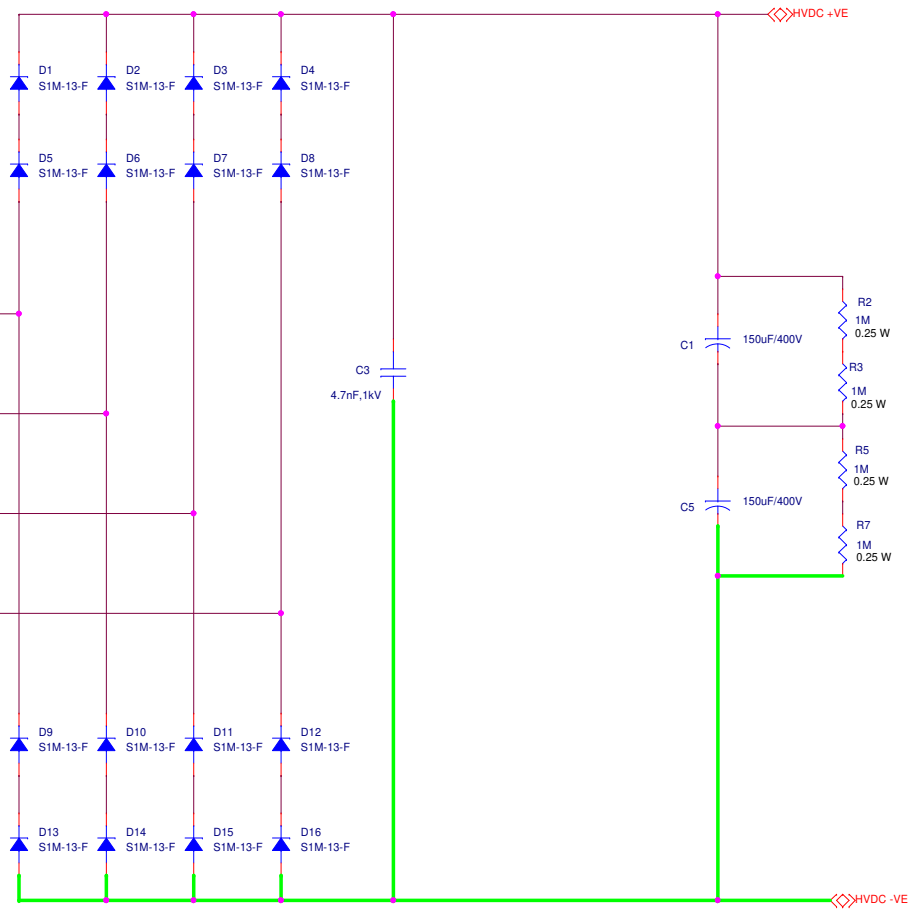
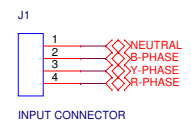


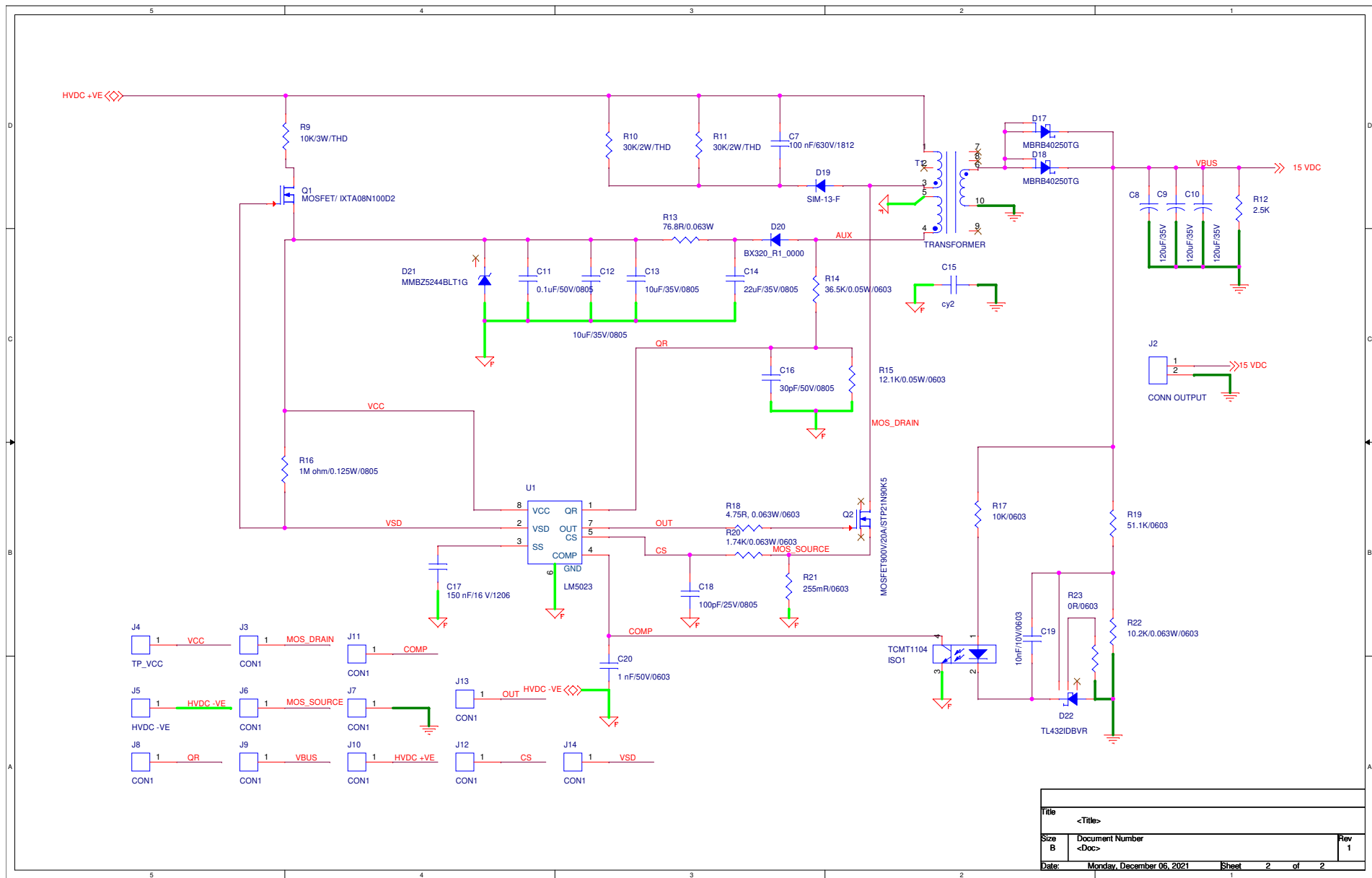
FUSIBLE/WW RESISTOR



85 VAC - 484 VAC
3 Phase Input



Title			<Title>
Size	Document Number	Rev	
B	<Doc>	1	
Date:	Friday, December 03, 2021	Sheet	1 of 2



Title		
<Title>		
Size	Document Number	Rev
B	<Doc>	1
Date:	Monday, December 06, 2021	Sheet 2 of 2