

4.5 V to 28 V Input, 1.0 A Integrated MOSFET Single Synchronous Buck DC/DC Converter

BD9E105FP4-Z

General Description

BD9E105FP4-Z is a single synchronous buck DC/DC converter with built-in low on-resistance power MOSFETs. The Light Load Mode control provides excellent efficiency characteristics in light-load conditions, which make the product ideal for equipment, and devices that demand minimal standby power consumption. BD9E105FP4-Z is a current mode control DC/DC converter and features good transient response. It includes internal phase compensation. It achieves the high power density and offers a small footprint on the PCB by employing small package.

Features

- Single Synchronous Buck DC/DC Converter
- Light Load Mode Control
- Efficiency = 80 %
(@I_{OUT} = 10 mA, V_{IN} = 24 V, V_{OUT} = 5 V)
- Internal Phase Compensation
- Over Voltage Protection (OVP)
- Over Current Protection (OCP)
- Short Circuit Protection (SCP)
- Thermal Shutdown Protection (TSD)
- Under Voltage Lockout Protection (UVLO)
- Reduced External Diode
- TSOT23-6L Package

Applications

- Home Appliance Products (i.e., Air Conditioner, Refrigerator)
- Secondary Power Supply and Adapter Equipment
- Telecommunication Devices

Key Specifications

- Input Voltage Range: 4.5 V to 28.0 V
- Output Voltage Range: V_{IN} × 0.1 or 0.7 V to V_{IN} × 0.8 V
- Output Current: 1 A (Max)
- Switching Frequency: 500 kHz (Typ)
- High Side FET ON Resistance: 165 mΩ (Typ)
- Low Side FET ON Resistance: 95 mΩ (Typ)
- Shutdown Current: 3 μA (Typ)
- Operating Quiescent Current: 55 μA (Typ)

Package

TSOT23-6L

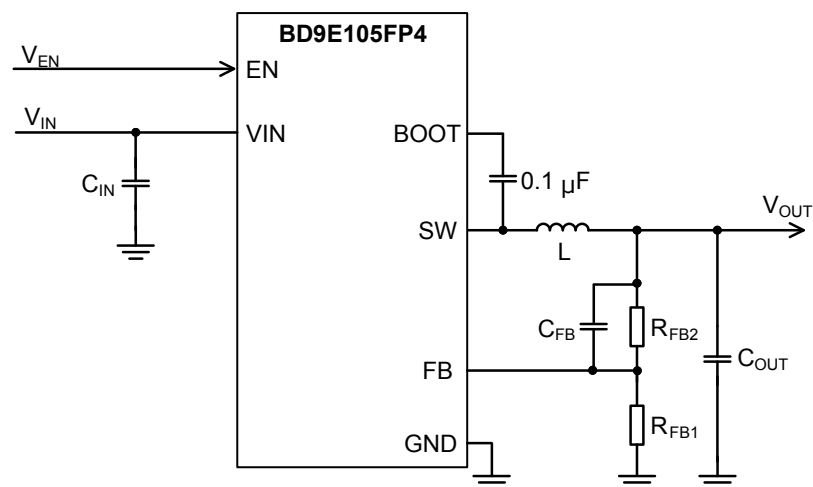
W (Typ) x D (Typ) x H (Max)

2.8 mm x 2.92 mm x 0.95 mm



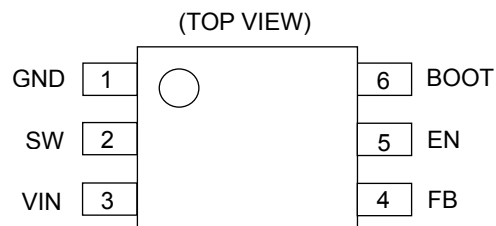
TSOT23-6L

Typical Application Circuit



○Product structure : Silicon integrated circuit ○This product has no designed protection against radioactive rays.

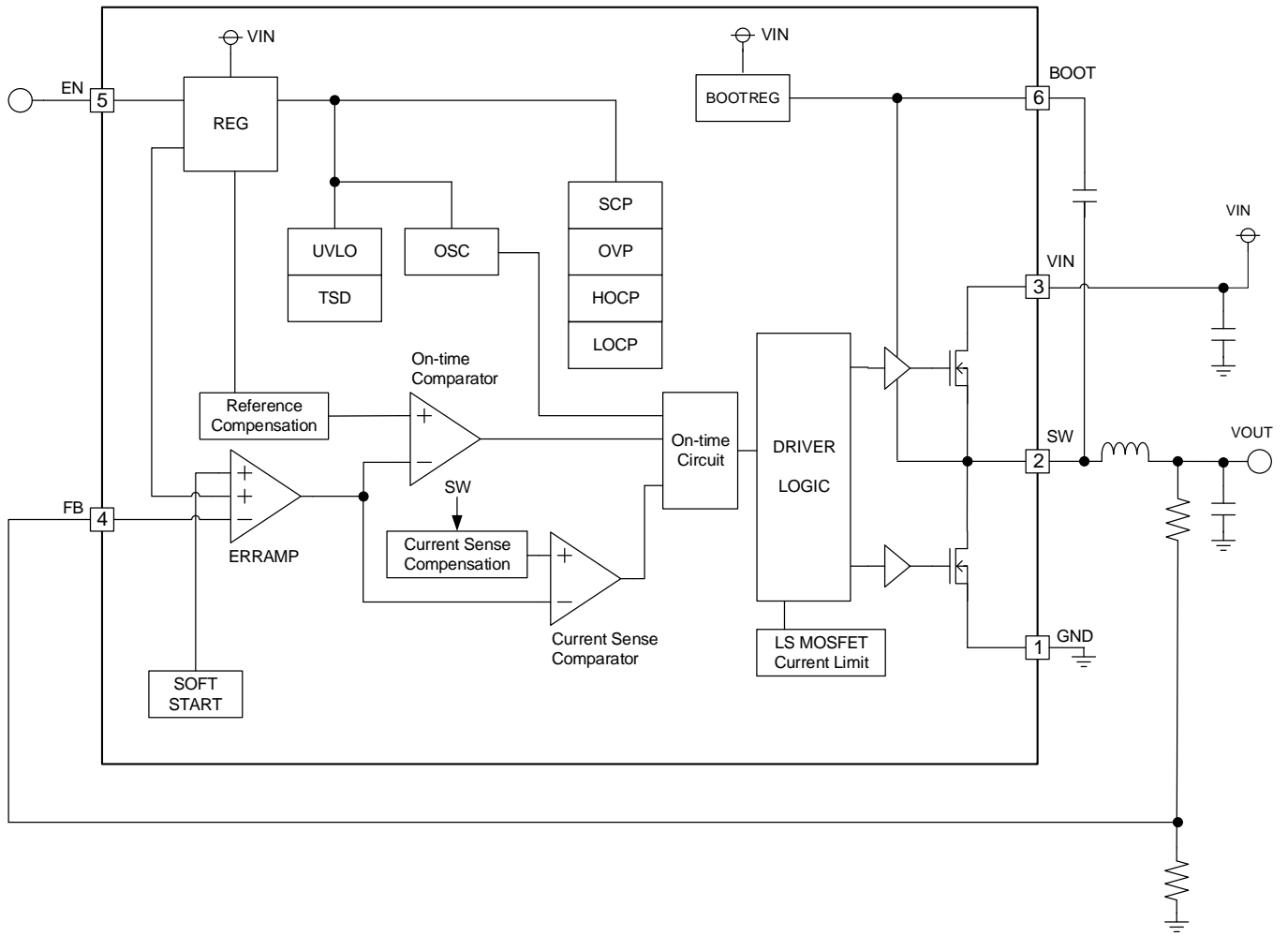
Pin Configuration



Pin Description

Pin No.	Pin Name	Function
1	GND	Ground pins for the control circuit and output stage of the switching regulator.
2	SW	Switch pin. This pin is connected to the source of the High Side FET and the drain of the Low Side FET. Connect a bootstrap capacitor of 0.1 μF between this pin and the BOOT pin. In addition, connect an inductor considering the direct current superimposition characteristic.
3	VIN	Power supply pin. Connecting 0.1 μF (Typ) and 10 μF (Typ) ceramic capacitors is recommended. The detail of a selection is described in Selection of Components Externally Connected 1. Input Capacitor.
4	FB	Output voltage feedback pin. See Selection of Components Externally Connected 3. Output Voltage Setting, FB Capacitor for the output voltage setting.
5	EN	Enable pin. The device starts up with setting V_{EN} to 1.2 V (Typ) or more. The device enters the shutdown mode with setting V_{EN} to 1.1 V (Typ) or less. This pin must be terminated.
6	BOOT	Pin for bootstrap. Connect a bootstrap capacitor of 0.1 μF between this pin and the SW pin. The voltage of this pin is the gate drive voltage of the High Side FET.

Block Diagram



Description of Blocks

1. REG
This block generates the internal regulator voltage.
2. SOFT START
The Soft Start circuit slows down the rise of output voltage during start-up and controls the current, which allows the prevention of output voltage overshoot and inrush current. The internal soft start time is 5 ms (Typ).
3. ERRAMP
This is the error amplifier. This block compares the FB voltage (V_{FB}) and the internal reference voltage. The output voltage is set by the FB external resistors.
4. On-time Comparator
The On-time Comparator compares the Error Amplifier output voltage and the reference voltage compensated by On-time. When the Error Amplifier output voltage becomes higher than the reference voltage, the output turns low and reports to the On-time Circuit that the output voltage has dropped below the control voltage.
5. On-time Circuit
This block generates the High Side FET on-time signal. Generates an on-time signal determined by the On-time comparator output, OSC signal, and Current Sense Comparator output.
6. Current Sense Comparator
This is a comparator that compares the ERRAMP signal with the current sense signal compensated by ramp signal.
7. UVLO
The UVLO block is for under voltage lockout protection. The device is shutdown when input voltage (V_{IN}) falls to 3.9 V (Typ) or less. The threshold voltage has the 350 mV (Typ) hysteresis.
8. TSD
The TSD block is for thermal protection. The device is shutdown when the junction temperature T_J reaches to 175 °C (Typ) or more. The device is automatically restored to normal operation with a hysteresis of 25 °C (Typ) when the T_J goes down.
9. OVP
The OVP block is for over voltage protection. When the FB voltage (V_{FB}) exceeds 120 % (Typ) or more of FB threshold voltage V_{FBTH} , the output MOSFETs are turned off. After V_{FB} falls 115 % (Typ) or less of V_{FBTH} , the device is returned to normal operation condition.
10. HOCP
This block is for over current protection of the High Side FET. When the current that flows through the High Side FET reaches the value of over current limit, it turns off the High Side FET and turns on the Low Side FET.
11. LOCP
This block is for over current protection of the Low Side FET. While the current that flows through the Low Side FET over the value of over current limit, the condition that being turned on the Low Side FET is continued.
12. SCP
This block is for short circuit protection. After soft start is completed and in condition where V_{FB} is 70 % (Typ) of 0.596 V or less and remained there for 1 ms (Typ), the device is shutdown for 32 ms (Typ) and subsequently initiates a restart.
13. LS MOSFET Current Limit
This circuit is a comparator that monitors the inductor current. When inductor current falls below 0 A (Typ) while the Low Side FET is on, it turns off the Low Side FET.
14. DRIVER LOGIC
This block controls the switching operation and protection function operation.

Absolute Maximum Ratings (Ta = 25 °C)

Parameter	Symbol	Rating	Unit
Input Voltage	V _{IN}	-0.3 to +30	V
SW Voltage	V _{SW}	-0.3 to V _{IN} +0.3	V
SW Voltage (10 ns pulse width)	V _{SWAC}	-2	V
Voltage from GND to BOOT	V _{BOOT}	-0.3 to +35	V
Voltage from SW to BOOT	ΔV _{BOOT}	-0.3 to +7	V
FB Voltage	V _{FB}	-0.3 to +3	V
EN Voltage	V _{EN}	-0.3 to +30	V
Output Current	I _{OUT}	1	A
Maximum Junction Temperature	T _{jmax}	150	°C
Storage Temperature Range	T _{stg}	-55 to +150	°C

Caution 1: Operating the IC over the absolute maximum ratings may damage the IC. The damage can either be a short circuit between pins or an open circuit between pins and the internal circuitry. Therefore, it is important to consider circuit protection measures, such as adding a fuse, in case the IC is operated over the absolute maximum ratings.

Caution 2: Should by any chance the maximum junction temperature rating be exceeded the rise in temperature of the chip may result in deterioration of the properties of the chip. In case of exceeding this absolute maximum rating, design a PCB with thermal resistance taken into consideration by increasing board size and copper area so as not to exceed the maximum junction temperature rating.

Thermal Resistance(Note 1)

Parameter	Symbol	Thermal Resistance (Typ)		Unit
		1s ^(Note 3)	2s2p ^(Note 4)	
TSOT23-6L				
Junction to Ambient	θ _{JA}	210.1	99.0	°C/W
Junction to Top Characterization Parameter ^(Note 2)	Ψ _{JT}	27.0	22.0	°C/W

(Note 1) Based on JESD51-2A (Still-Air) ,using a BD9E105 Chip.

(Note 2) The thermal characterization parameter to report the difference between junction temperature and the temperature at the top center of the outside surface of the component package.

(Note 3) Using a PCB board based on JESD51-3.

Layer Number of Measurement Board	Material	Board Size
Single	FR-4	114.3 mm x 76.2 mm x 1.57 mmt
Top		
Copper Pattern	Thickness	
Footprints and Traces	70 μm	

(Note 4) Using a PCB board based on JESD51-7.

Layer Number of Measurement Board	Material	Board Size			
4 Layers	FR-4	114.3 mm x 76.2 mm x 1.6 mmt			
Top		2 Internal Layers		Bottom	
Copper Pattern	Thickness	Copper Pattern	Thickness	Copper Pattern	Thickness
Footprints and Traces	70 μm	74.2 mm x 74.2 mm	35 μm	74.2 mm x 74.2 mm	70 μm

Recommended Operating Conditions

Parameter	Symbol	Min	Typ	Max	Unit
Input Voltage	V _{IN}	4.5	-	28.0	V
Operating Temperature ^(Note 1)	T _{opr}	-40	-	+85	°C
Output Current ^(Note 1)	I _{OUT}	0	-	1	A
Output Voltage Setting ^(Note 2)	V _{OUT}	0.7	-	V _{IN} ×0.8	V

(Note 1) T_J must be 150 °C or less under the actual operating environment. Lifetime is derated at junction temperature greater than 125 °C.

(Note 2) Please use within the range of V_{OUT} ≥ V_{IN} × 0.1 [V].

Electrical Characteristics (Unless otherwise specified Ta = 25 °C, V_{IN} = 12 V, V_{EN} = 3 V)

Parameter	Symbol	Min	Typ	Max	Unit	Conditions
Input Supply						
Shutdown Current	I _{SDN}	-	3	15	μA	V _{EN} = 0 V
Operating Quiescent Current	I _Q	-	55	90	μA	I _{OUT} = 0 A, No switching
UVLO Threshold Voltage	V _{UVLO1}	3.7	3.9	4.1	V	V _{IN} falling
UVLO Hysteresis Voltage	V _{UVLOHYS}	300	350	400	mV	
Enable						
EN Threshold Voltage High	V _{ENH}	1.1	1.2	1.3	V	V _{EN} rising
EN Threshold Voltage Low	V _{ENL}	1.0	1.1	1.2	V	V _{EN} falling
EN Input Current	I _{EN}	-	0	3	μA	V _{EN} = 3 V
Reference Voltage, Error Amplifier, Soft Start						
FB Threshold Voltage	V _{FBTH}	0.587	0.596	0.605	V	
FB Input Current	I _{FB}	-	-	100	nA	V _{FB} = 0.7 V
Soft Start Time	t _{SS}	3.5	5.0	6.5	ms	
SW (MOSFET)						
Switching Frequency	f _{SW}	425	500	575	kHz	
Maximum Duty Ratio	D _{MAX}	80	-	-	%	
High Side FET ON Resistance	R _{ONH}	82.5	165.0	247.5	mΩ	V _{BOOT} - V _{SW} = 5 V
Low Side FET ON Resistance	R _{ONL}	47.5	95.0	142.5	mΩ	
Protection						
High Side Over Current Limit ^(Note 3)	I _{HOC}	1.7	2.2	2.7	A	
Low Side Over Current Limit ^(Note 3)	I _{LOC}	1.0	1.5	2.0	A	

(Note 3) No tested on outgoing inspection.

Typical Performance Curves

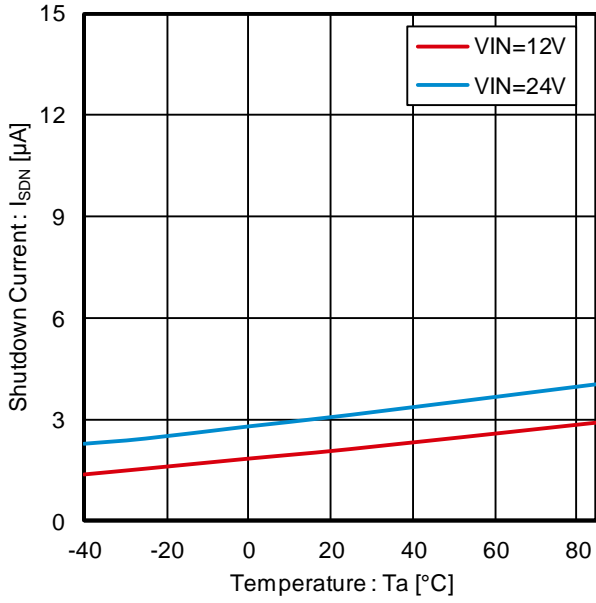


Figure 1. Shutdown Current vs Temperature

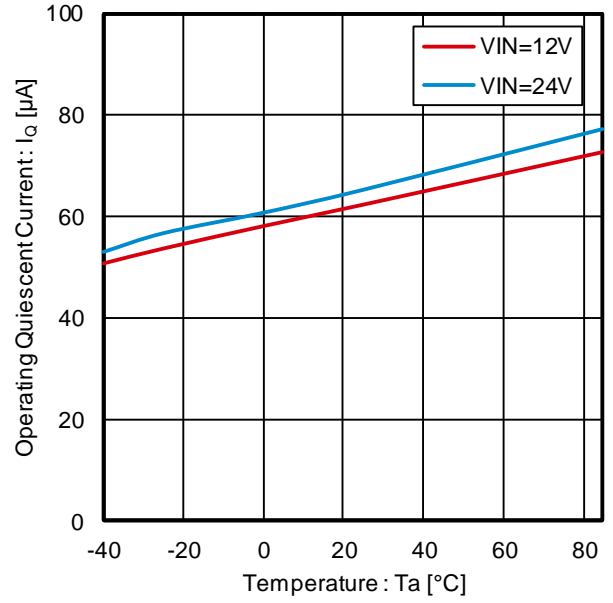


Figure 2. Operating Quiescent Current vs Temperature

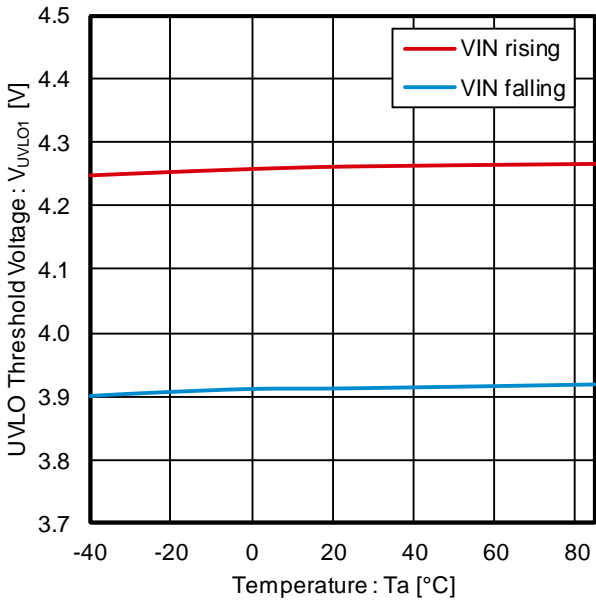


Figure 3. UVLO Threshold Voltage vs Temperature

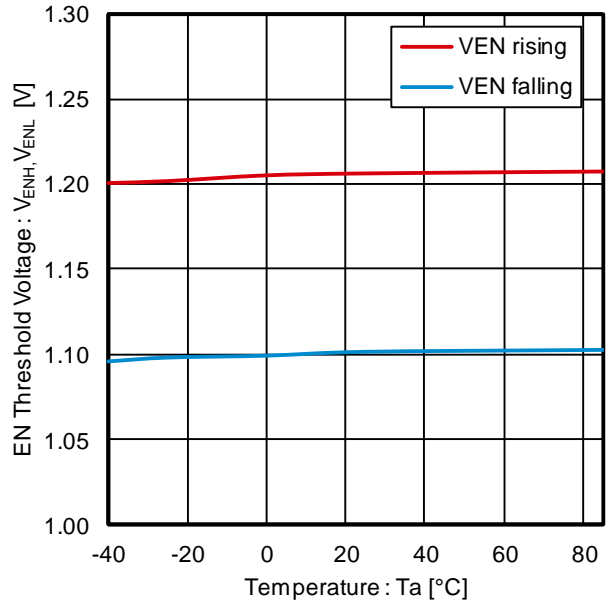


Figure 4. EN Threshold Voltage vs Temperature

Typical Performance Curves – continued

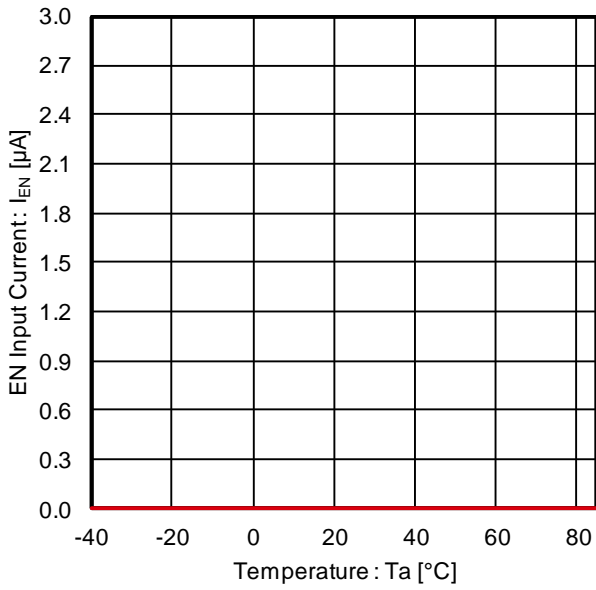


Figure 5. EN Input Current vs Temperature

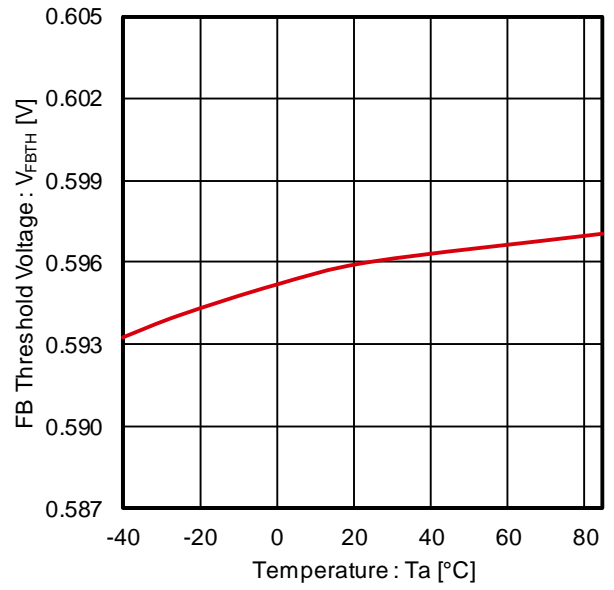


Figure 6. FB Threshold Voltage vs Temperature

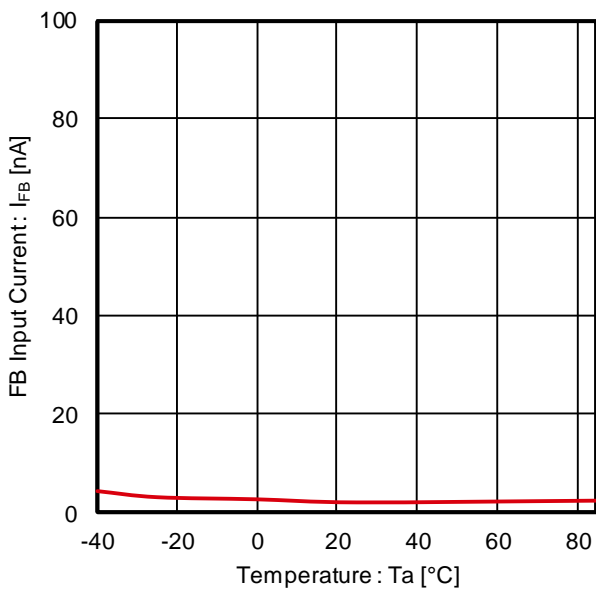


Figure 7. FB Input Current vs Temperature

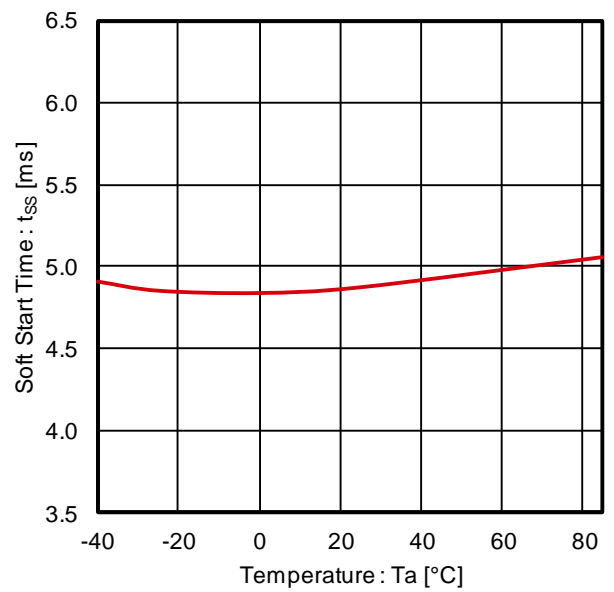


Figure 8. Soft Start Time vs Temperature

Typical Performance Curves – continued

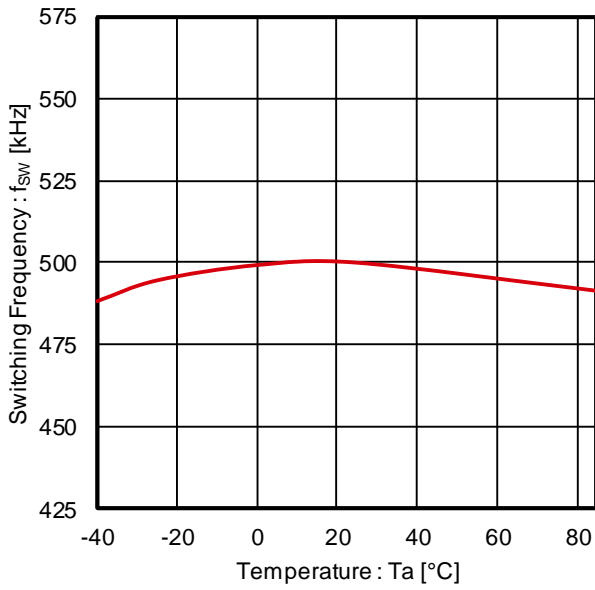


Figure 9. Switching Frequency vs Temperature

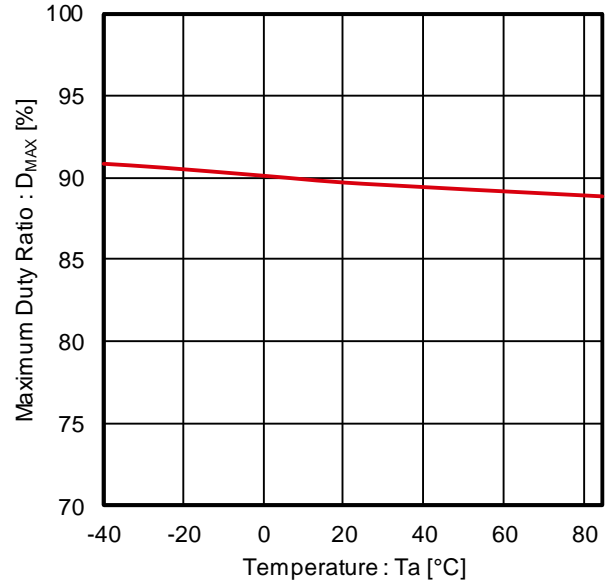


Figure 10. Maximum Duty Ratio vs Temperature

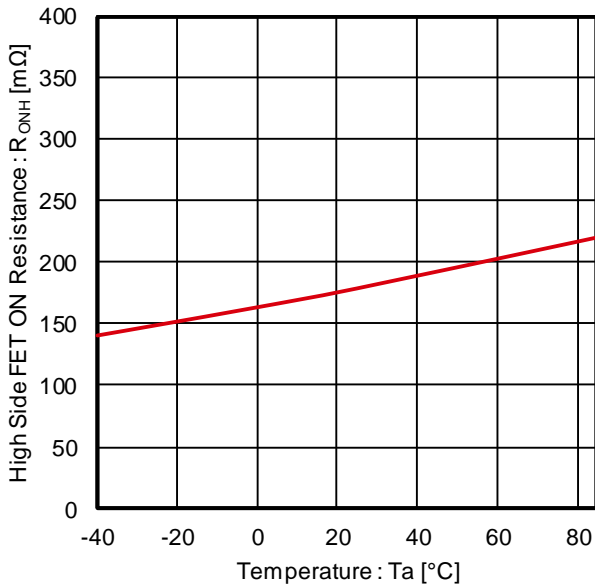


Figure 11. High Side FET ON Resistance vs Temperature

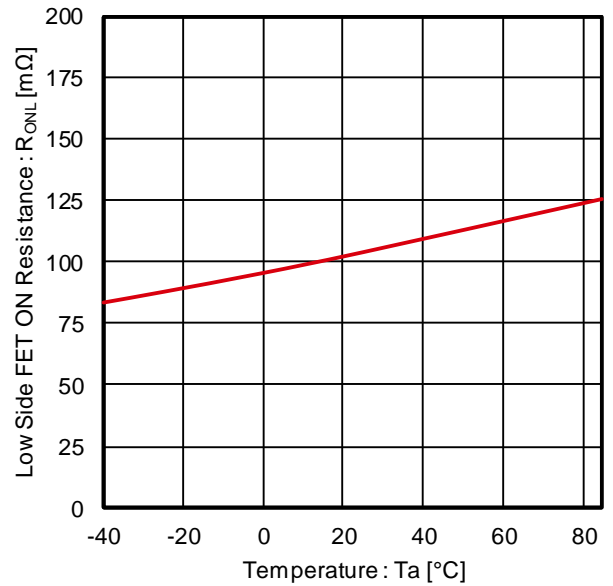


Figure 12. Low Side FET ON Resistance vs Temperature

Typical Performance Curves – continued

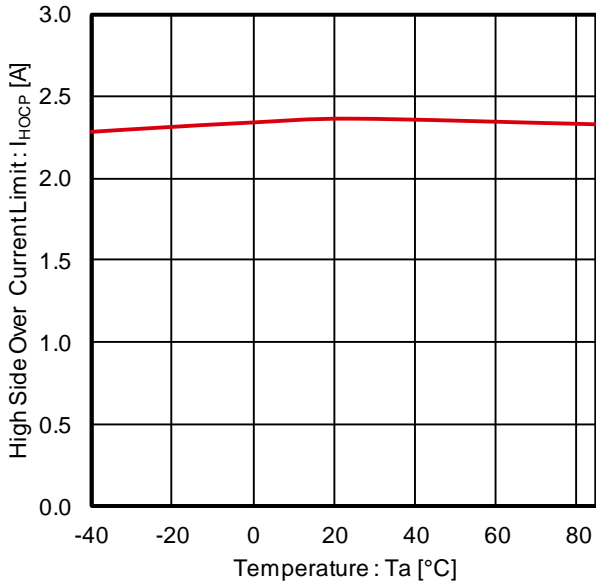


Figure 13. High Side Over Current Limit vs Temperature

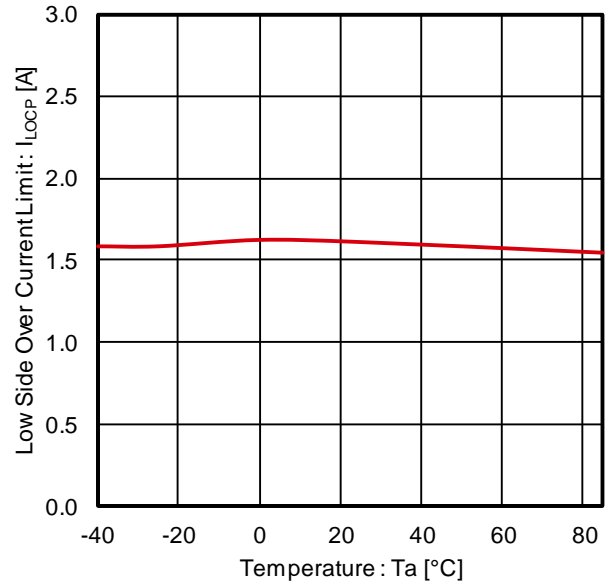


Figure 14. Low Side Over Current Limit vs Temperature

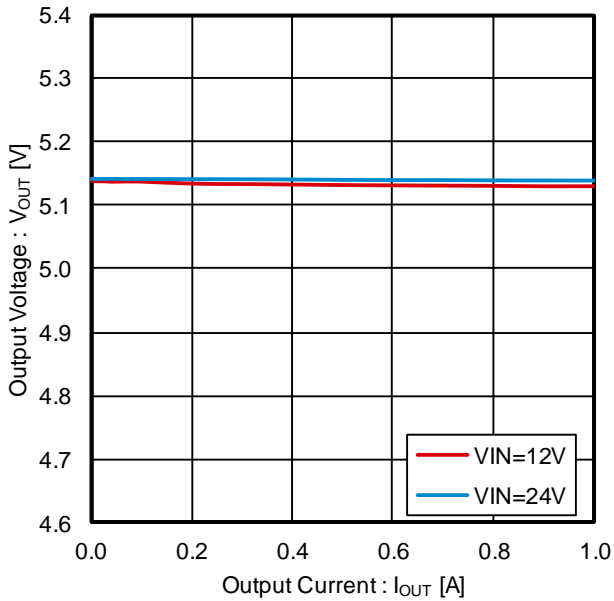


Figure 15. Output Voltage vs Output Current

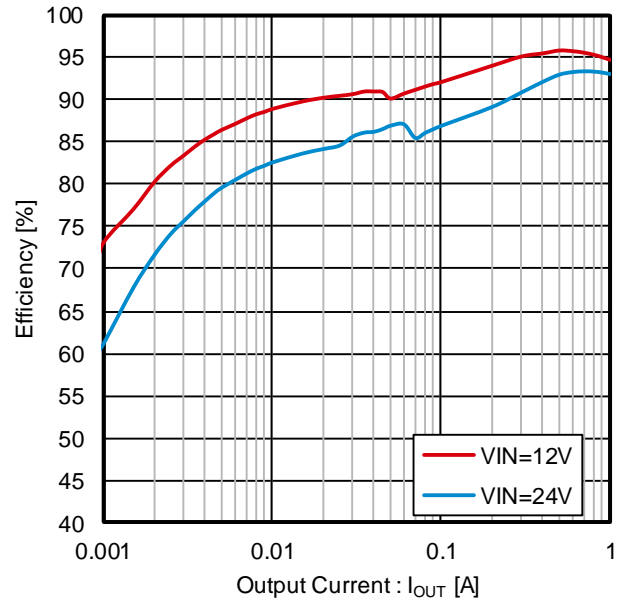


Figure 16. Efficiency vs Output Current

Typical Performance Curves – continued

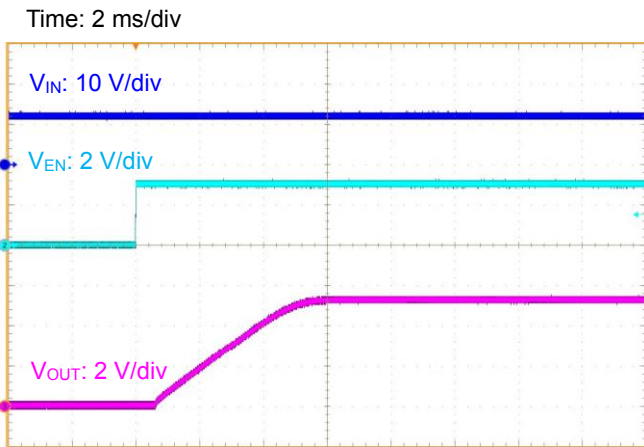


Figure 17. Start-up at No load: $V_{EN} = 0\text{ V}$ to 3 V
($V_{IN} = 12\text{ V}$, $V_{OUT} = 5\text{ V}$)

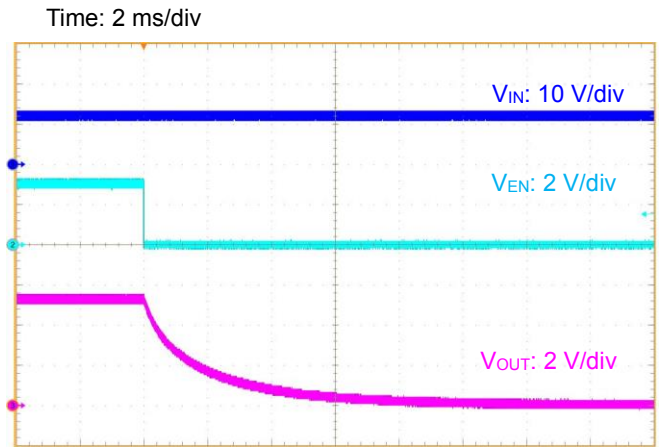


Figure 18. Shutdown at No Load $V_{EN} = 3\text{ V}$ to 0 V
($V_{IN} = 12\text{ V}$, $V_{OUT} = 5\text{ V}$)

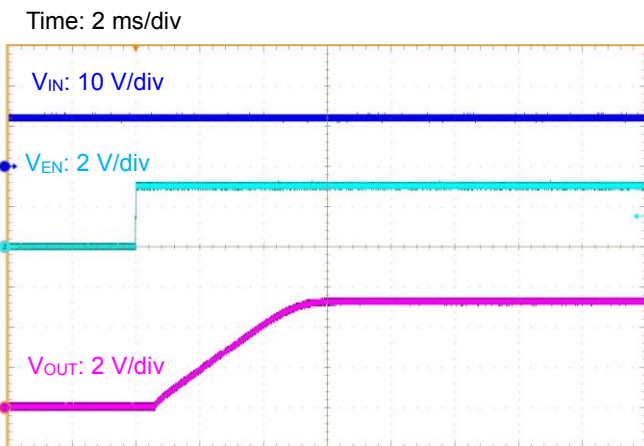


Figure 19. Start-up at $R_{LOAD} = 5\ \Omega$: $V_{EN} = 0\text{ V}$ to 3 V
($V_{IN} = 12\text{ V}$, $V_{OUT} = 5\text{ V}$)

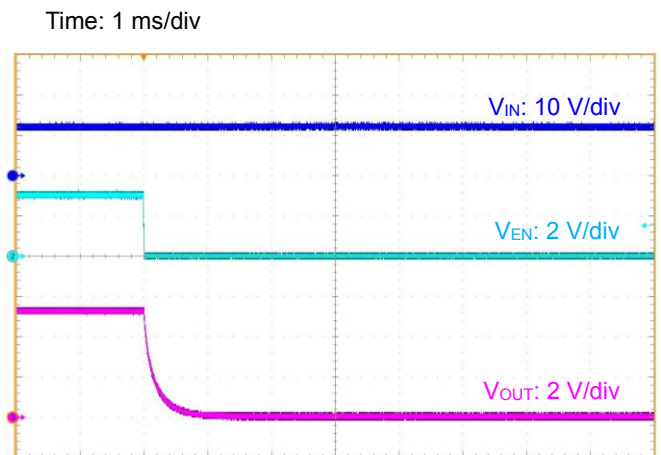


Figure 20. Shutdown at $R_{LOAD} = 5\ \Omega$: $V_{EN} = 3\text{ V}$ to 0 V
($V_{IN} = 12\text{ V}$, $V_{OUT} = 5\text{ V}$)

Typical Performance Curves – continued

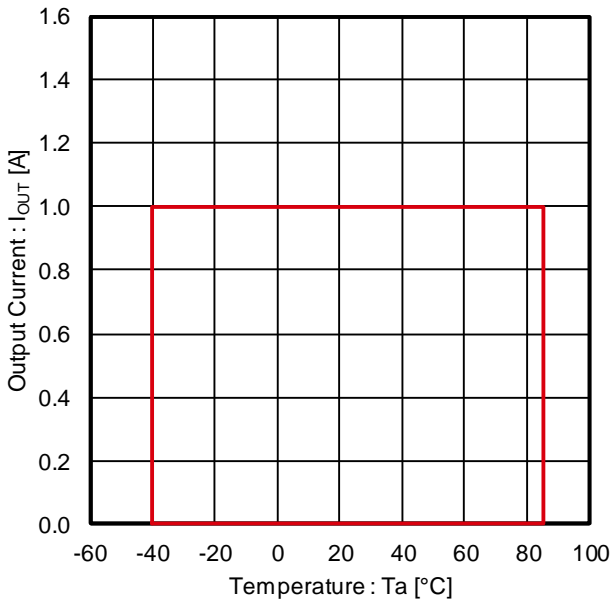


Figure 21. Output Current vs Temperature^(Note 1)
 Operating Range: $T_j < 150\text{ }^\circ\text{C}$ ($V_{IN} = 7\text{ V}$, $V_{OUT} = 0.7\text{ V}$)

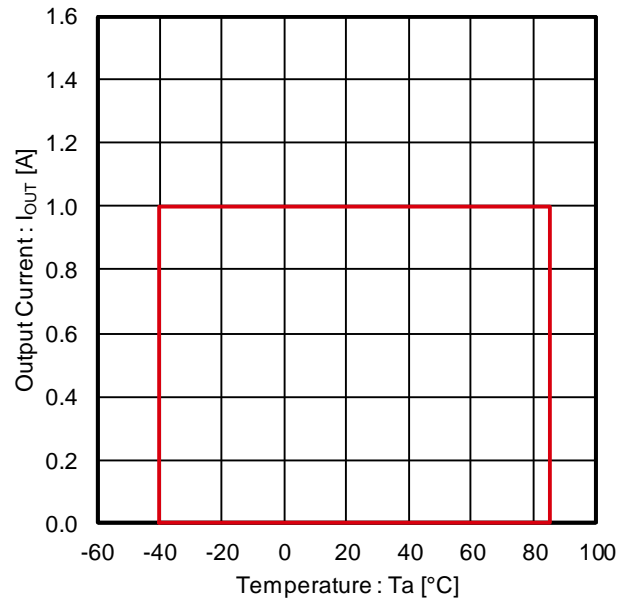


Figure 22. Output Current vs Temperature^(Note 1)
 Operating Range: $T_j < 150\text{ }^\circ\text{C}$ ($V_{IN} = 12\text{ V}$, $V_{OUT} = 1.2\text{ V}$)

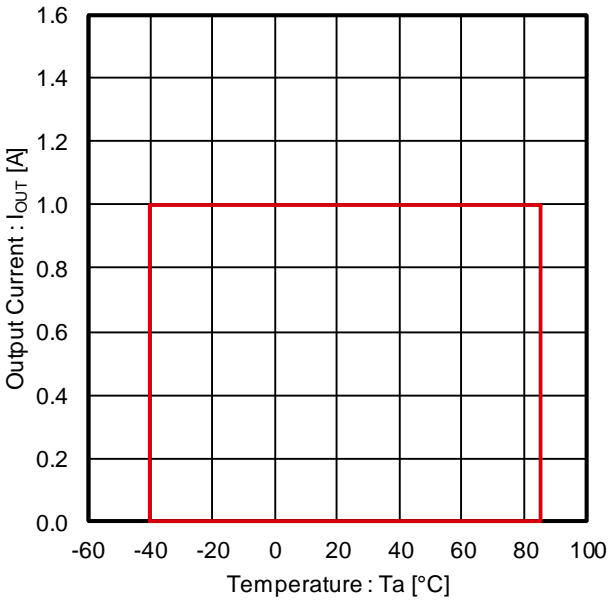


Figure 23. Output Current vs Temperature^(Note 1)
 Operating Range: $T_j < 150\text{ }^\circ\text{C}$ ($V_{IN} = 24\text{ V}$, $V_{OUT} = 3.3\text{ V}$)

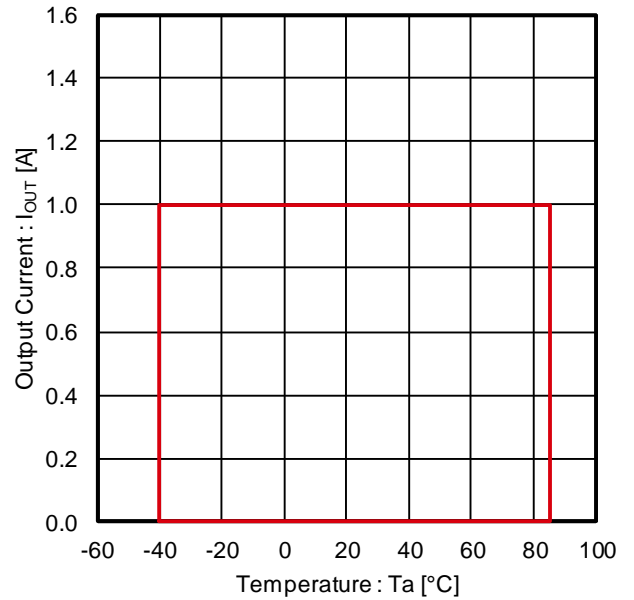


Figure 24. Output Current vs Temperature^(Note 1)
 Operating Range: $T_j < 150\text{ }^\circ\text{C}$ ($V_{IN} = 24\text{ V}$, $V_{OUT} = 5\text{ V}$)

(Note 1) Measured on FR-4 board 85 mm x 85 mm, Copper Thickness: Top and Bottom 70 μm , 2 Internal Layers 35 μm .

Typical Performance Curves – continued

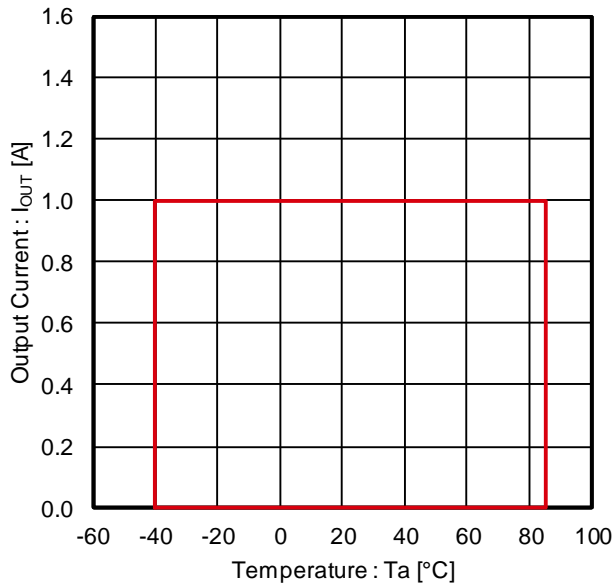


Figure 25. Output Current vs Temperature^(Note 1)
Operating Range: $T_j < 150$ °C ($V_{IN} = 24$ V, $V_{OUT} = 12$ V)

(Note 1) Measured on FR-4 board 85 mm x 85 mm, Copper Thickness: Top and Bottom 70 μ m, 2 Internal Layers 35 μ m.

Function Explanation

1. Basic Operation

(1) DC/DC Converter Operation

BD9E105FP4-Z is a synchronous rectifying step-down switching regulator that achieves faster transient response by employing current mode PWM control system. It utilizes switching operation in PWM (Pulse Width Modulation) mode for heavier load, while it utilizes Light Load Mode control for lighter load to improve efficiency.

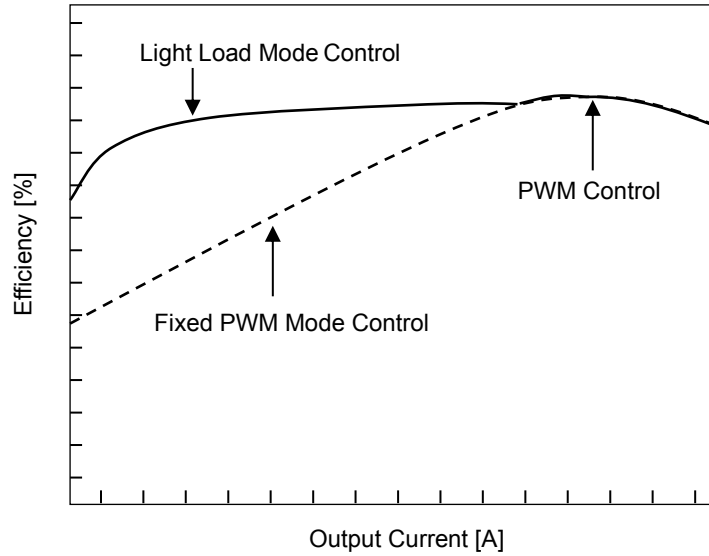


Figure 26. Efficiency Image between Light Load Mode Control and PWM Mode Control

(2) Enable Control

The startup and shutdown can be controlled by the EN voltage (V_{EN}). When V_{EN} becomes 1.2 V (Typ) or more, the internal circuit is activated and the device starts up. When V_{EN} becomes 1.1 V (Typ) or less, the device is shutdown. To enable shutdown control with the EN pin, the shutdown interval must be set to 100 μ s or longer. The startup with V_{EN} must be at the same time of the input voltage V_{IN} ($V_{IN} = V_{EN}$) or after supplying V_{IN} .

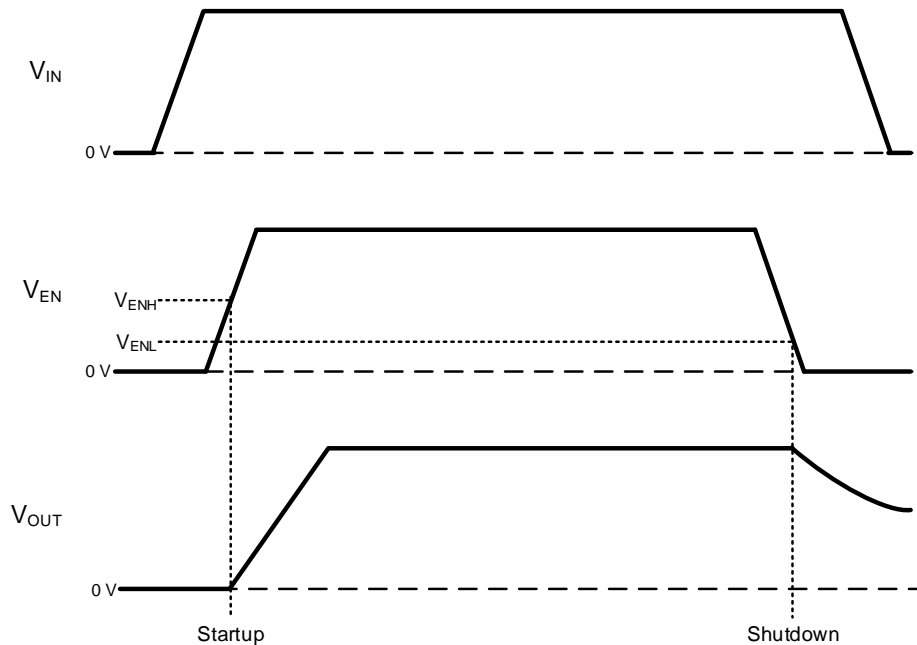


Figure 27. Startup and Shutdown with Enable Control Timing Chart

1. Basic Operation – continued

(3) Soft Start

When V_{EN} goes high, soft start function operates and output voltage gradually rises. This soft start function can prevent overshoot of the output voltage and excessive inrush current. The soft start time t_{SS} is 5 ms (Typ).

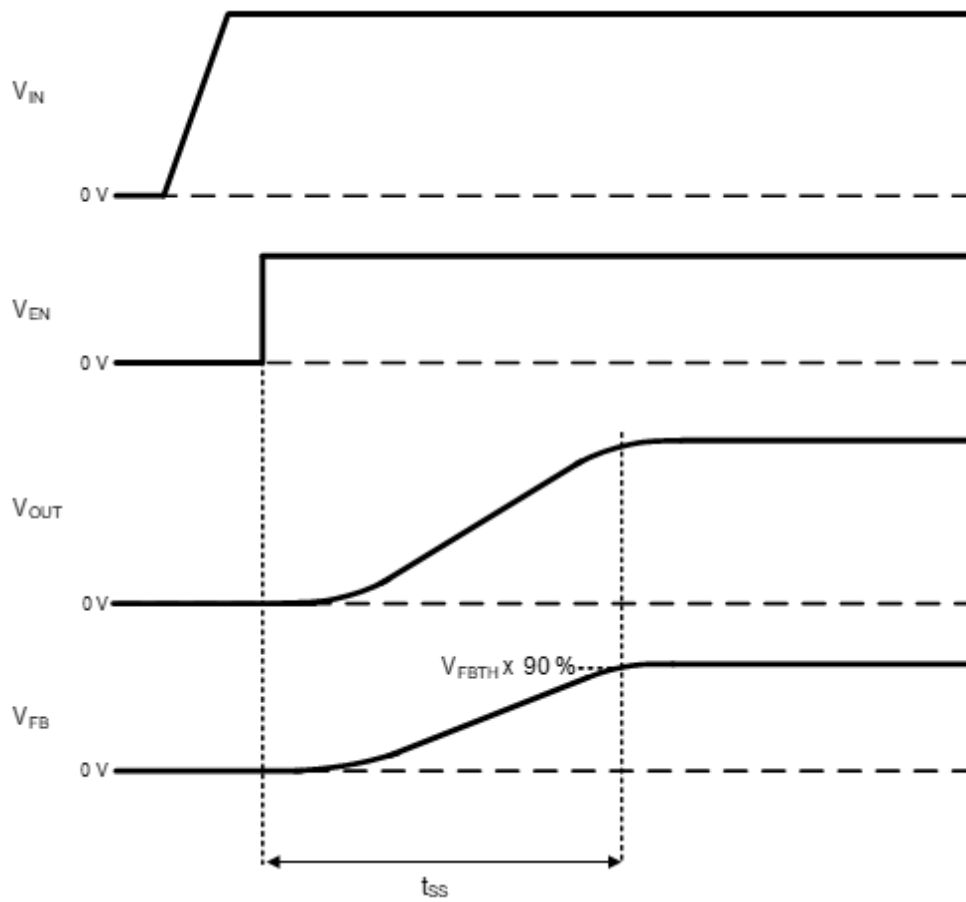


Figure 28. Soft Start Timing Chart

Function Explanation - continued

2. Protection

The protection circuits are intended for prevention of damage caused by unexpected accidents. Do not use the continuous protection.

(1) Over Current Protection (OCP) / Short Circuit Protection (SCP)

Over Current Protection (OCP) restricts the flowing current through the Low Side FET and the High Side FET for every switching period. If the inductor current exceeds the Low Side OCP $I_{LOCP} = 1.5 \text{ A (Typ)}$ while the Low Side FET is on, the Low Side FET remains on even with FB voltage V_{FB} falls to $V_{FBTH} = 0.596 \text{ V (Typ)}$ or less. If the inductor current becomes less than I_{LOCP} , the High Side FET is able to be turned on. When the inductor current becomes the High Side OCP $I_{HOCP} = 2.2 \text{ A (Typ)}$ or more, while the High Side FET is on, the High Side FET is turned off. Output voltage may decrease by changing frequency and duty due to the OCP operation.

Short Circuit Protection (SCP) function is a Hiccup mode. When V_{FB} remains $V_{FBTH} \times 70\%$ or less for 1 ms, the device stops the switching operation for 32 ms. After that, the device restarts. SCP does not operate during the soft start even if the device is in the SCP conditions. Do not exceed the maximum junction temperature ($T_{jmax} = 150 \text{ }^\circ\text{C}$) during OCP and SCP operation.

V_{EN}	V_{FB}	Start-up	OCP	SCP
$\geq 1.2 \text{ V (Typ)}$	$\leq V_{FBTH} \times 70\% \text{ (Typ)}$	During Soft Start	Enable	Disable
	$> V_{FBTH} \times 70\% \text{ (Typ)}$	Complete Soft Start	Enable	Disable
	$\leq V_{FBTH} \times 70\% \text{ (Typ)}$		Enable	Enable
$\leq 1.1 \text{ V (Typ)}$	-	Shutdown	Disable	Disable

Table 1. The Operating Condition of OCP and SCP

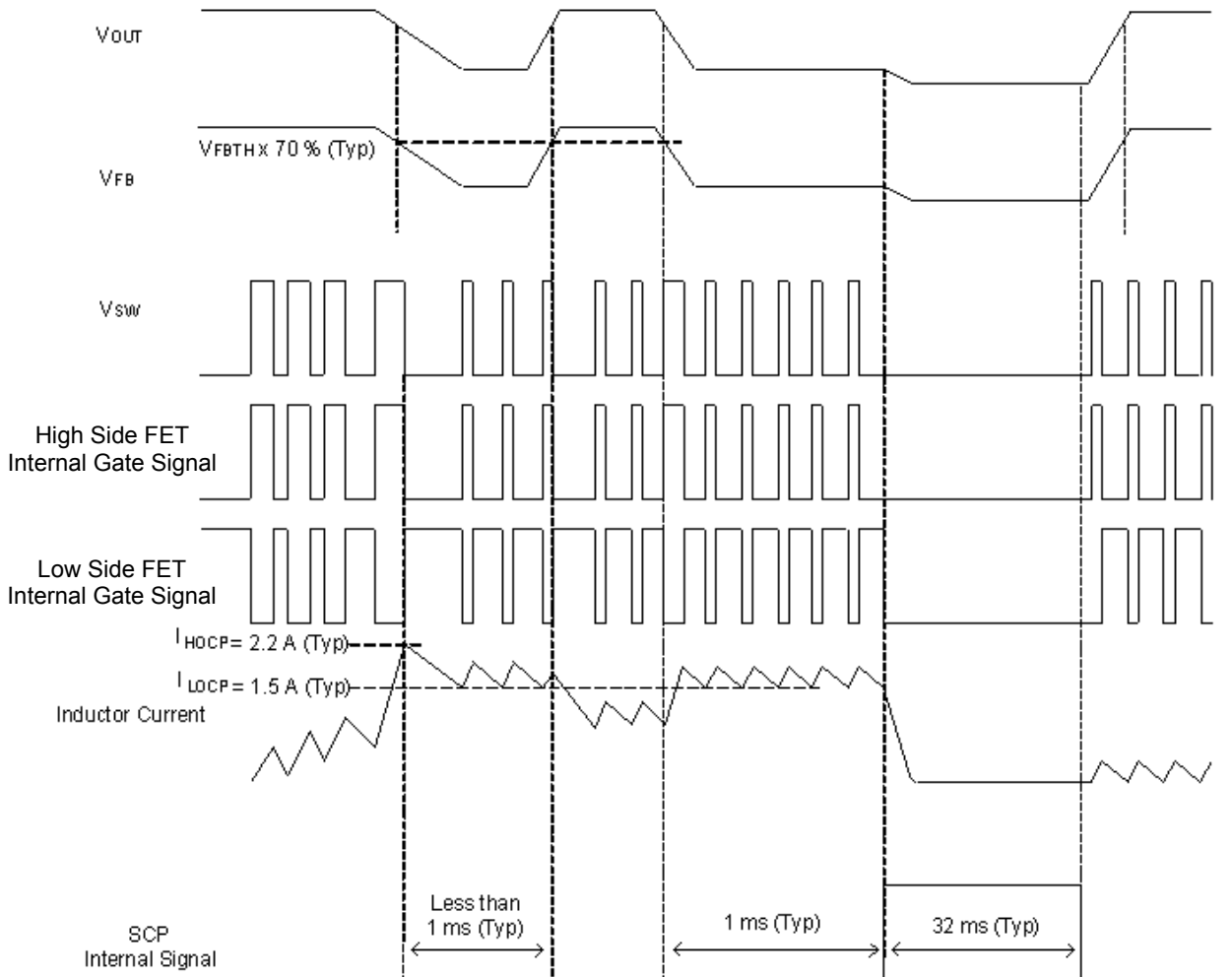


Figure 29. OCP and SCP Timing Chart

2. Protection – continued

(2) Under Voltage Lockout Protection (UVLO)

When input voltage V_{IN} falls to 3.9 V (Typ) or less, the device is shutdown. When V_{IN} becomes 4.25 V (Typ) or more, the device starts up. The hysteresis is 350 mV (Typ).

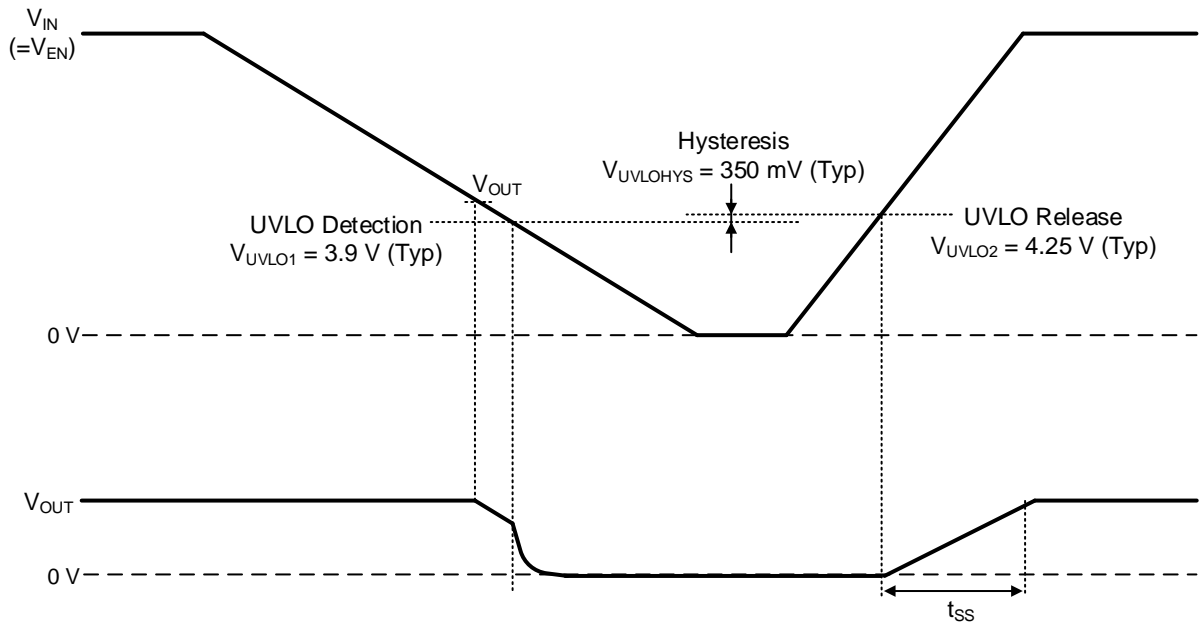


Figure 30. UVLO Timing Chart

(3) Thermal Shutdown Protection (TSD)

Thermal shutdown circuit prevents heat damage to the IC. The device should always operate within the IC's maximum junction temperature rating ($T_{jmax} = 150\text{ }^{\circ}\text{C}$). However, if it continues exceeding the rating and the junction temperature T_j rises to $175\text{ }^{\circ}\text{C}$ (Typ), the TSD circuit is activated and it turns the output MOSFETs off. When the T_j falls below the TSD threshold, the circuits are automatically restored to normal operation. The TSD threshold has a hysteresis of $25\text{ }^{\circ}\text{C}$ (Typ). Note that the TSD circuit operates in a situation that exceeds the absolute maximum ratings. Therefore, under no circumstances, should the TSD circuit be used in a set design or for any purpose other than protecting the IC from heat damage.

(4) Over Voltage Protection (OVP)

When the FB voltage V_{FB} exceeds $V_{FBTH} \times 120\%$ (Typ) or more, the output MOSFETs are turned off to prevent the increase in the output voltage. After the V_{FB} falls $V_{FBTH} \times 115\%$ (Typ) or less, the output MOSFETs are returned to normal operation condition. Switching operation restarts after V_{FB} falls below V_{FBTH} (Typ).

Application Examples

1. $V_{IN} = 5\text{ V to }7\text{ V}$, $V_{OUT} = 0.7\text{ V}$

Table 2. Specification of Application

Parameter	Symbol	Specification Value
Input Voltage	V_{IN}	5 V to 7 V (Typ)
Output Voltage	V_{OUT}	0.7 V (Typ)
Maximum Output Current	I_{OUTMAX}	1 A
Temperature	T_a	25 °C

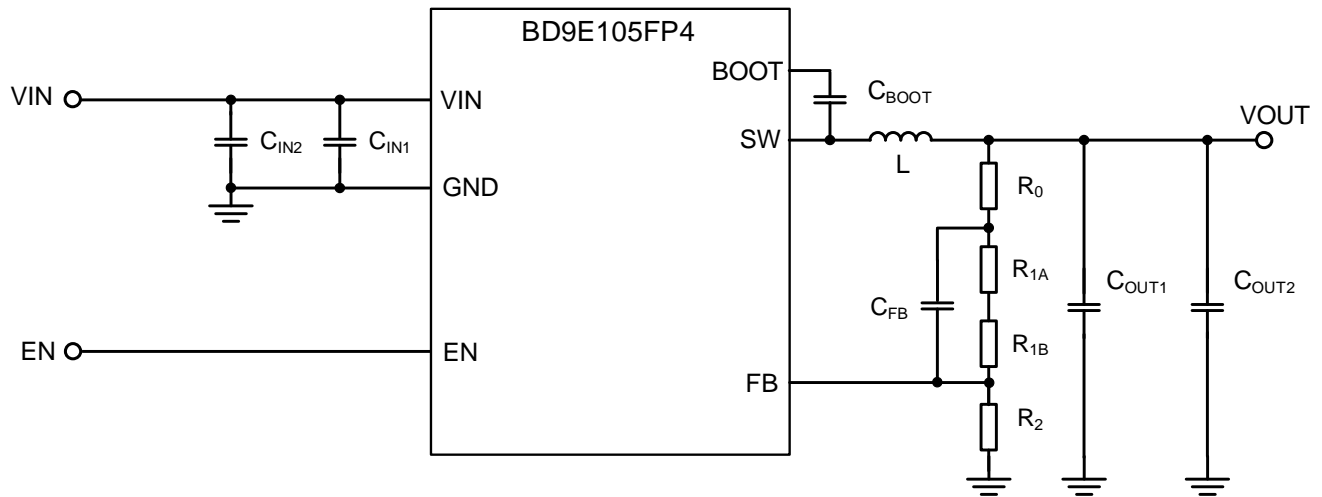


Figure 31. Application Circuit

Table 3. Recommended Component Values

Part No.	Value	Part Name	Size Code (mm)	Manufacturer
L ₁	3.3 μH	CLF7045NIT	7470	TDK
C_{IN1} (Note 1)	0.1 μF (50 V, X5R, $\pm 10\%$)	GRM155R61H104KE14	1005	Murata
C_{IN2} (Note 2)	10 μF (35 V, X5R, $\pm 10\%$)	GRM21BR6YA106KE43L	2012	Murata
C_{BOOT} (Note 3)	0.1 μF (50 V, X5R, $\pm 15\%$)	GRM155R61H104KE14	1005	Murata
C_{OUT1} (Note 4)	47 μF (25 V, X5R, $\pm 20\%$)	TMK325ABJ476MM-P	3225	Yuden
C_{OUT2} (Note 4)	47 μF (25 V, X5R, $\pm 20\%$)	TMK325ABJ476MM-P	3225	Yuden
C_{FB}	120 pF (50 V, C0G, $\pm 5\%$)	GRM0335C1H121JA01	0603	Murata
R_0 (Note 5)	Short	-	-	-
R_{1A}	Short	-	-	-
R_{1B}	47 k Ω (1 %, 1/16 W)	MCR01MZPF4702	1005	ROHM
R_2	270 k Ω (1 %, 1/16 W)	MCR01MZPF2703	1005	ROHM

(Note 1) In order to reduce the influence of high frequency noise, connect a 0.1 μF ceramic capacitor C_{IN1} as close as possible to the VIN pin and the GND pin.

(Note 2) For the input capacitor C_{IN2} , take temperature characteristics, DC bias characteristics, etc. into consideration to set to the actual capacitance of no less than 3.0 μF .

(Note 3) For the bootstrap capacitor C_{BOOT} , take temperature characteristics, DC bias characteristics, etc. into consideration to set to the actual capacitance of no less than 0.022 μF .

(Note 4) In case of changing the actual capacitance value due to temperature characteristics, DC bias characteristics, etc. of the output capacitor C_{OUT1} and C_{OUT2} , the loop response characteristics may change. Confirm the actual application.

(Note 5) R_0 is an option, used for feedback's frequency response measurement. By inserting a resistor at R_0 , it is possible to measure the frequency response (phase margin) using a FRA. However, the resistor is not used in actual application, use this resistor pattern in short-circuit mode.

1. $V_{IN} = 5\text{ V}$ to 7 V , $V_{OUT} = 0.7\text{ V}$ – continued

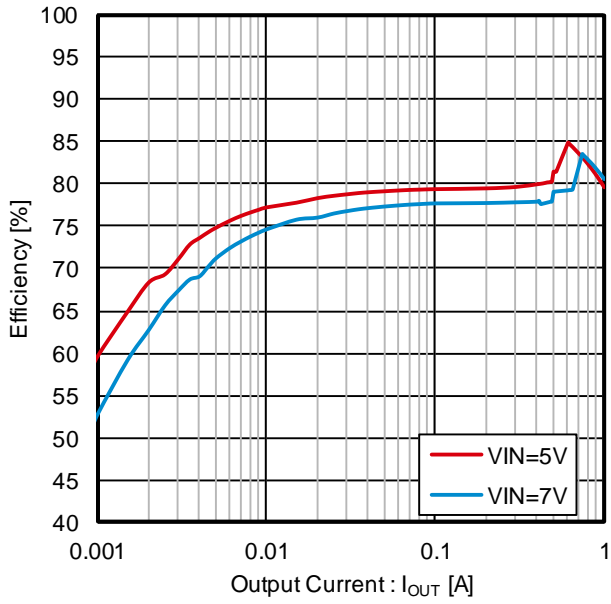


Figure 32. Efficiency vs Output Current

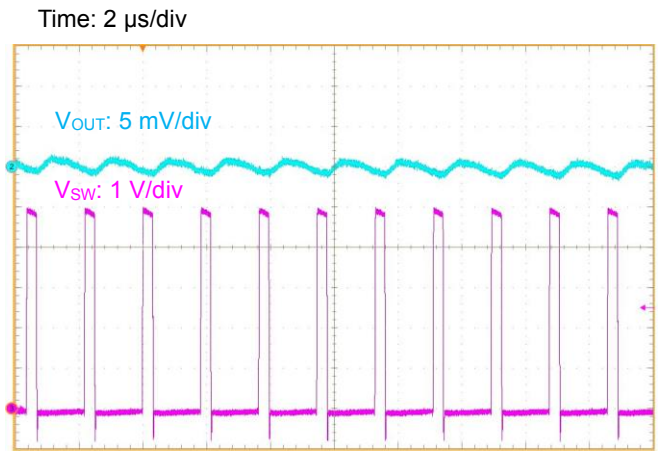


Figure 33. Output Ripple Voltage ($V_{IN} = 5\text{ V}$, $I_{OUT} = 1\text{ A}$)

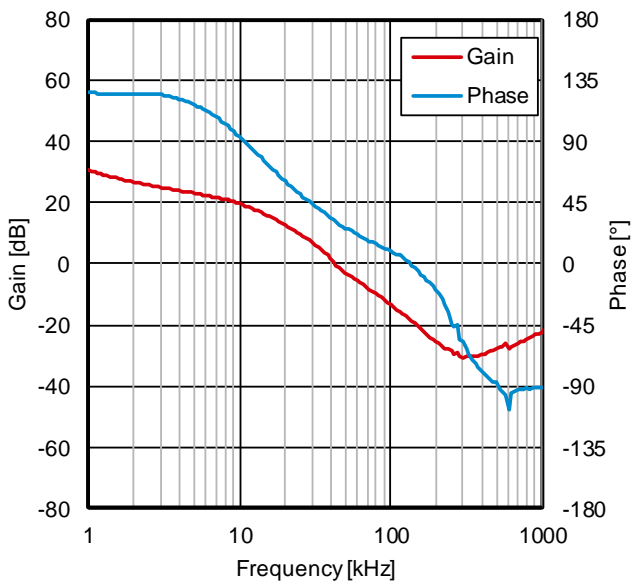


Figure 34. Frequency Characteristics ($V_{IN} = 5\text{ V}$, $I_{OUT} = 1\text{ A}$)

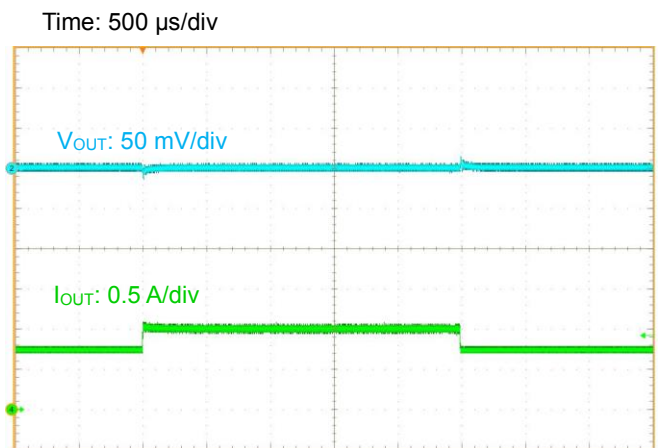


Figure 35. Load Transient Response ($V_{IN} = 5\text{ V}$, $I_{OUT} = 0.75\text{ A}$ to 1.0 A)

Application Examples - continued

2. $V_{IN} = 5\text{ V}$ to 7 V , $V_{OUT} = 1.2\text{ V}$

Table 4. Specification of Application

Parameter	Symbol	Specification Value
Input Voltage	V_{IN}	5 V to 7 V(Typ)
Output Voltage	V_{OUT}	1.2 V (Typ)
Maximum Output Current	I_{OUTMAX}	1 A
Temperature	T_a	25 °C

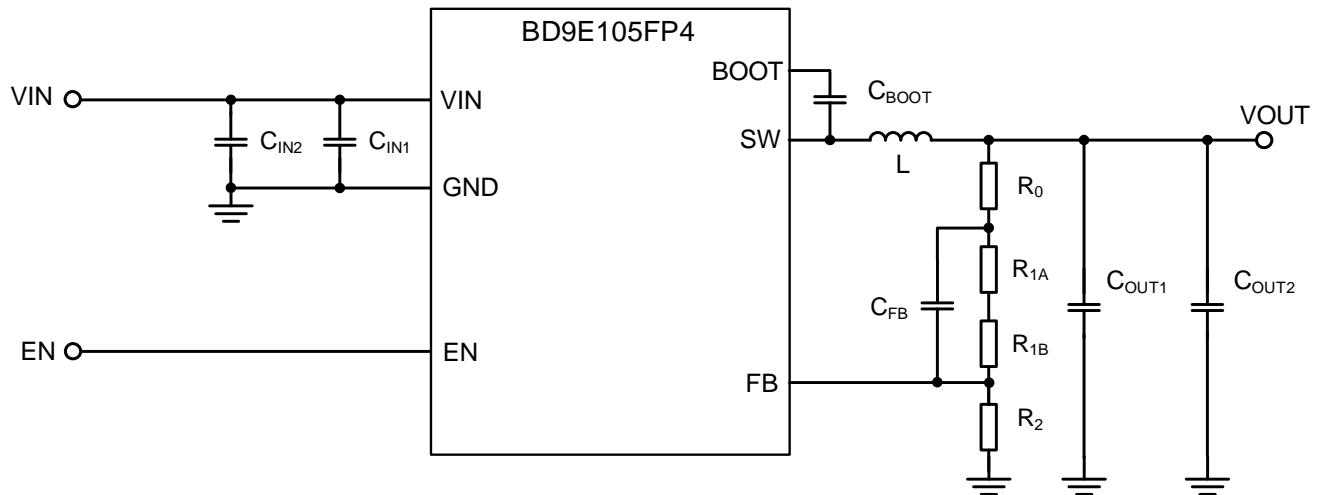


Figure 36. Application Circuit

Table 5. Recommended Component Values

Part No.	Value	Part Name	Size Code (mm)	Manufacturer
L ₁	4.7 μH	CLF7045NIT	7470	TDK
C_{IN1} (Note 1)	0.1 μF (50 V, X5R, $\pm 10\%$)	GRM155R61H104KE14	1005	Murata
C_{IN2} (Note 2)	10 μF (35 V, X5R, $\pm 10\%$)	GRM21BR6YA106KE43L	2012	Murata
C_{BOOT} (Note 3)	0.1 μF (50 V, X5R, $\pm 15\%$)	GRM155R61H104KE14	1005	Murata
C_{OUT1} (Note 4)	47 μF (25 V, X5R, $\pm 20\%$)	TMK325ABJ476MM-P	3225	Yuden
C_{OUT2} (Note 4)	47 μF (25 V, X5R, $\pm 20\%$)	TMK325ABJ476MM-P	3225	Yuden
C_{FB}	120 pF (50 V, C0G, $\pm 5\%$)	GRM0335C1H121JA01	0603	Murata
R_0 (Note 5)	Short	-	-	-
R_{1A}	Short	-	-	-
R_{1B}	6.2 k Ω (1 %, 1/16 W)	MCR01MZPF6201	1005	ROHM
R_2	6.2 k Ω (1 %, 1/16 W)	MCR01MZPF6201	1005	ROHM

(Note 1) In order to reduce the influence of high frequency noise, connect a 0.1 μF ceramic capacitor C_{IN1} as close as possible to the VIN pin and the GND pin.

(Note 2) For the input capacitor C_{IN2} , take temperature characteristics, DC bias characteristics, etc. into consideration to set to the actual capacitance of no less than 3.0 μF .

(Note 3) For the bootstrap capacitor C_{BOOT} , take temperature characteristics, DC bias characteristics, etc. into consideration to set to the actual capacitance of no less than 0.022 μF .

(Note 4) In case of changing the actual capacitance value due to temperature characteristics, DC bias characteristics, etc. of the output capacitor C_{OUT1} and C_{OUT2} , the loop response characteristics may change. Confirm the actual application.

(Note 5) R_0 is an option, used for feedback's frequency response measurement. By inserting a resistor at R_0 , it is possible to measure the frequency response (phase margin) using a FRA. However, the resistor is not used in actual application, use this resistor pattern in short-circuit mode.

2. $V_{IN} = 5\text{ V}$ to 7 V , $V_{OUT} = 1.2\text{ V}$ – continued

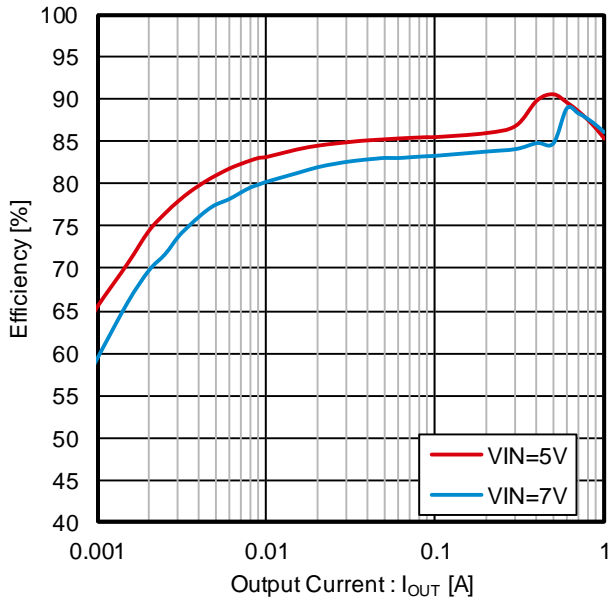


Figure 37. Efficiency vs Output Current

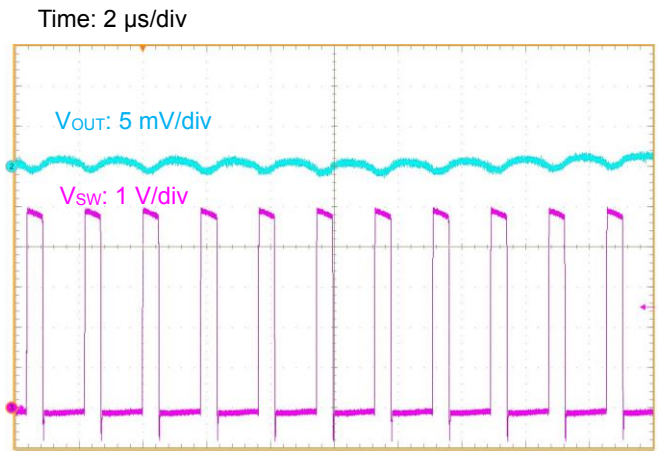


Figure 38. Output Ripple Voltage ($V_{IN} = 5\text{ V}$, $I_{OUT} = 1\text{ A}$)

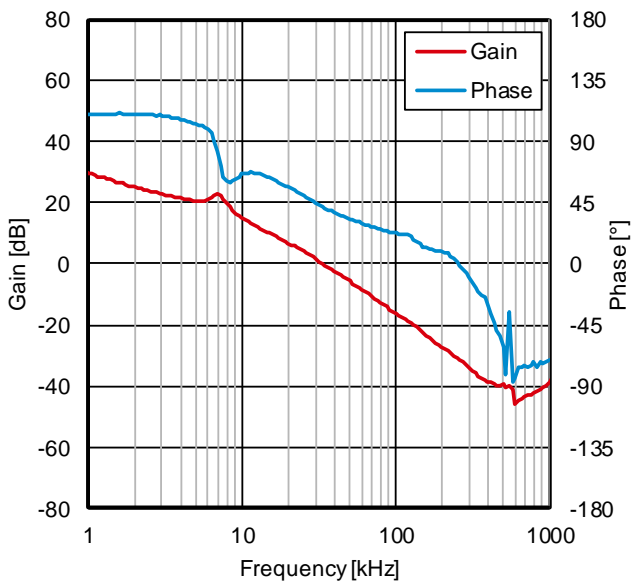


Figure 39. Frequency Characteristics ($V_{IN} = 5\text{ V}$, $I_{OUT} = 1\text{ A}$)

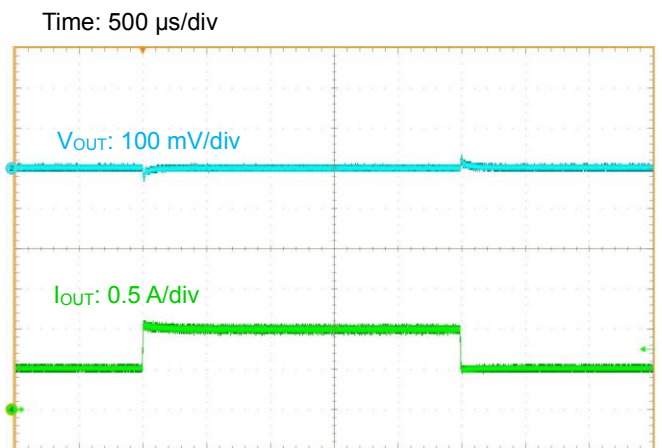


Figure 40. Load Transient Response ($V_{IN} = 5\text{ V}$, $I_{OUT} = 0.5\text{ A}$ to 1.0 A)

Application Examples - continued

3. $V_{IN} = 12\text{ V to }24\text{ V}$, $V_{OUT} = 3.3\text{ V}$

Table 6. Specification of Application

Parameter	Symbol	Specification Value
Input Voltage	V_{IN}	12 V to 24 V (Typ)
Output Voltage	V_{OUT}	3.3 V (Typ)
Maximum Output Current	I_{OUTMAX}	1 A
Temperature	T_a	25 °C

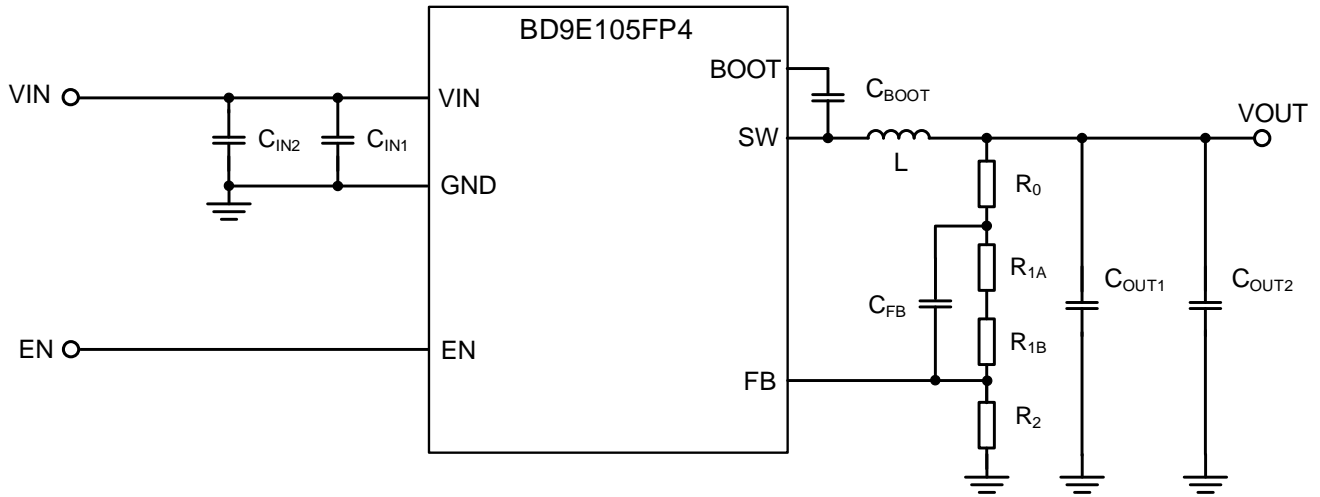


Figure 41. Application Circuit

Table 7. Recommended Component Values

Part No.	Value	Part Name	Size Code (mm)	Manufacturer
L_1	10 μH	CLF7045NIT	7470	TDK
C_{IN1} ^(Note 1)	0.1 μF (50 V, X5R, $\pm 10\%$)	GRM155R61H104KE14	1005	Murata
C_{IN2} ^(Note 2)	10 μF (35 V, X5R, $\pm 10\%$)	GRM21BR6YA106KE43L	2012	Murata
C_{BOOT} ^(Note 3)	0.1 μF (50 V, X5R, $\pm 15\%$)	GRM155R61H104KE14	1005	Murata
C_{OUT1} ^(Note 4)	22 μF (25 V, X5R, $\pm 20\%$)	TMK212BBJ226MG-TT	2012	Yuden
C_{OUT2} ^(Note 4)	22 μF (25 V, X5R, $\pm 20\%$)	TMK212BBJ226MG-TT	2012	Yuden
C_{FB}	33 pF (50 V, C0G, $\pm 5\%$)	GRM0335C1H330JA01	0603	Murata
R_0 ^(Note 5)	Short	-	-	-
R_{1A}	Short	-	-	-
R_{1B}	30 k Ω (1 %, 1/16 W)	MCR01MZPF3002	1005	ROHM
R_2	6.8 k Ω (1 %, 1/16 W)	MCR01MZPF6801	1005	ROHM

(Note 1) In order to reduce the influence of high frequency noise, connect a 0.1 μF ceramic capacitor C_{IN1} as close as possible to the VIN pin and the GND pin.

(Note 2) For the input capacitor C_{IN2} , take temperature characteristics, DC bias characteristics, etc. into consideration to set to the actual capacitance of no less than 3.0 μF .

(Note 3) For the bootstrap capacitor C_{BOOT} , take temperature characteristics, DC bias characteristics, etc. into consideration to set to the actual capacitance of no less than 0.022 μF .

(Note 4) In case of changing the actual capacitance value due to temperature characteristics, DC bias characteristics, etc. of the output capacitor C_{OUT1} and C_{OUT2} , the loop response characteristics may change. Confirm the actual application.

(Note 5) R_0 is an option, used for feedback's frequency response measurement. By inserting a resistor at R_0 , it is possible to measure the frequency response (phase margin) using a FRA. However, the resistor is not used in actual application, use this resistor pattern in short-circuit mode.

3. $V_{IN} = 12\text{ V}$ to 24 V , $V_{OUT} = 3.3\text{ V}$ – continued

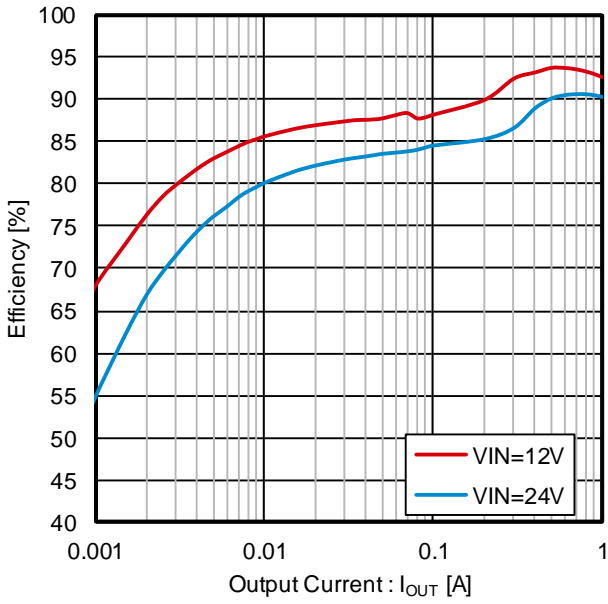


Figure 42. Efficiency vs Output Current

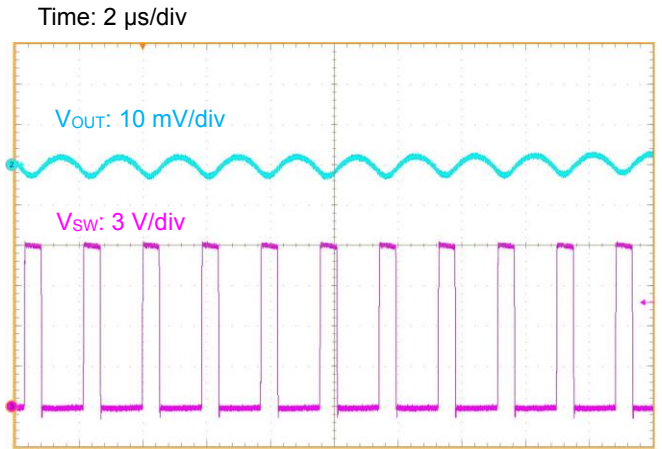


Figure 43. Output Ripple Voltage ($V_{IN} = 12\text{ V}$, $I_{OUT} = 1\text{ A}$)

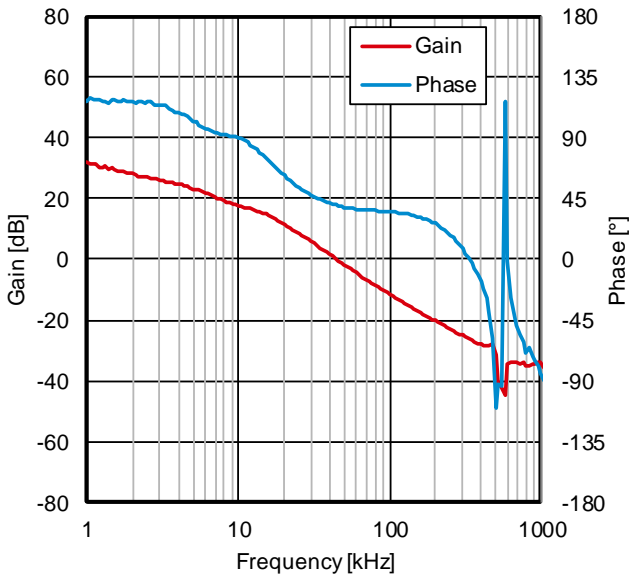


Figure 44. Frequency Characteristics ($V_{IN} = 12\text{ V}$, $I_{OUT} = 1\text{ A}$)

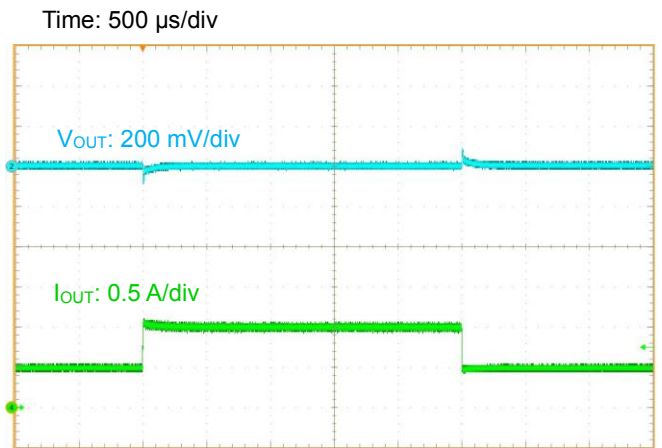


Figure 45. Load Transient Response ($V_{IN} = 12\text{ V}$, $I_{OUT} = 0.5\text{ A}$ to 1.0 A)

Application Examples - continued

4. $V_{IN} = 12\text{ V to }24\text{ V}$, $V_{OUT} = 5\text{ V}$

Table 8. Specification of Application

Parameter	Symbol	Specification Value
Input Voltage	V_{IN}	12 V to 24 V (Typ)
Output Voltage	V_{OUT}	5 V (Typ)
Maximum Output Current	I_{OUTMAX}	1 A
Temperature	T_a	25 °C

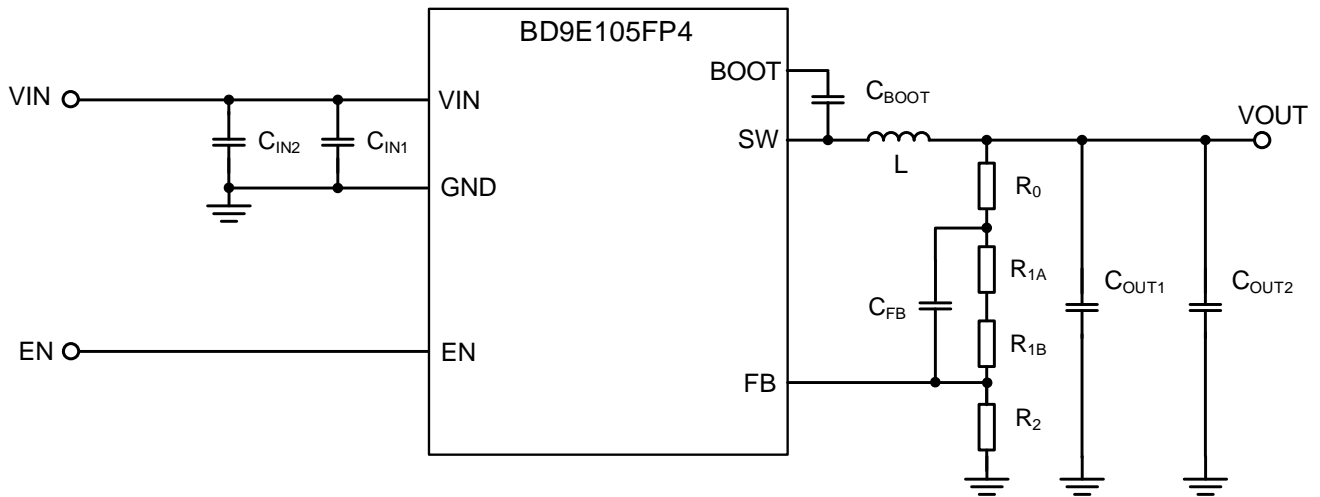


Figure 46. Application Circuit

Table 9. Recommended Component Values

Part No.	Value	Part Name	Size Code (mm)	Manufacturer
L ₁	15 μH	CLF7045NIT	7470	TDK
C _{IN1} (Note 1)	0.1 μF (50 V, X5R, ±10 %)	GRM155R61H104KE14	1005	Murata
C _{IN2} (Note 2)	10 μF (35 V, X5R, ±10 %)	GRM21BR6YA106KE43L	2012	Murata
C _{BOOT} (Note 3)	0.1 μF (50 V, X5R, ±15 %)	GRM155R61H104KE14	1005	Murata
C _{OUT1} (Note 4)	22 μF (25 V, X5R, ±20 %)	TMK212BBJ226MG-TT	2012	Yuden
C _{OUT2} (Note 4)	22 μF (25 V, X5R, ±20 %)	TMK212BBJ226MG-TT	2012	Yuden
C _{FB}	47 pF (50 V, C0G, ±5 %)	GRM0335C1H470JA01	0603	Murata
R ₀ (Note 5)	Short	-	-	-
R _{1A}	Short	-	-	-
R _{1B}	56 kΩ (1 %, 1/16 W)	MCR01MZPF5602	1005	ROHM
R ₂	7.5 kΩ (1 %, 1/16 W)	MCR01MZPF7501	1005	ROHM

(Note 1) In order to reduce the influence of high frequency noise, connect a 0.1 μF ceramic capacitor C_{IN1} as close as possible to the VIN pin and the GND pin.

(Note 2) For the input capacitor C_{IN2}, take temperature characteristics, DC bias characteristics, etc. into consideration to set to the actual capacitance of no less than 3.0 μF.

(Note 3) For the bootstrap capacitor C_{BOOT}, take temperature characteristics, DC bias characteristics, etc. into consideration to set to the actual capacitance of no less than 0.022 μF.

(Note 4) In case of changing the actual capacitance value due to temperature characteristics, DC bias characteristics, etc. of the output capacitor C_{OUT1} and C_{OUT2}, the loop response characteristics may change. Confirm the actual application.

(Note 5) R₀ is an option, used for feedback's frequency response measurement. By inserting a resistor at R₀, it is possible to measure the frequency response (phase margin) using a FRA. However, the resistor is not used in actual application, use this resistor pattern in short-circuit mode.

4. $V_{IN} = 12\text{ V}$ to 24 V , $V_{OUT} = 5\text{ V}$ – continued

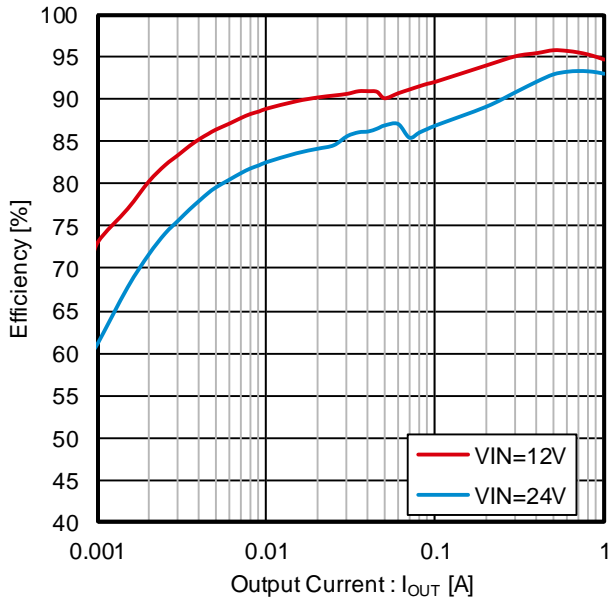


Figure 47. Efficiency vs Output Current

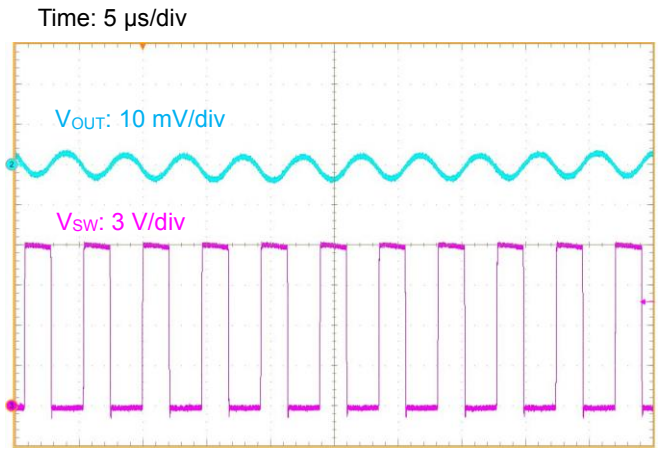


Figure 48. Output Ripple Voltage ($V_{IN} = 12\text{ V}$, $I_{OUT} = 1\text{ A}$)

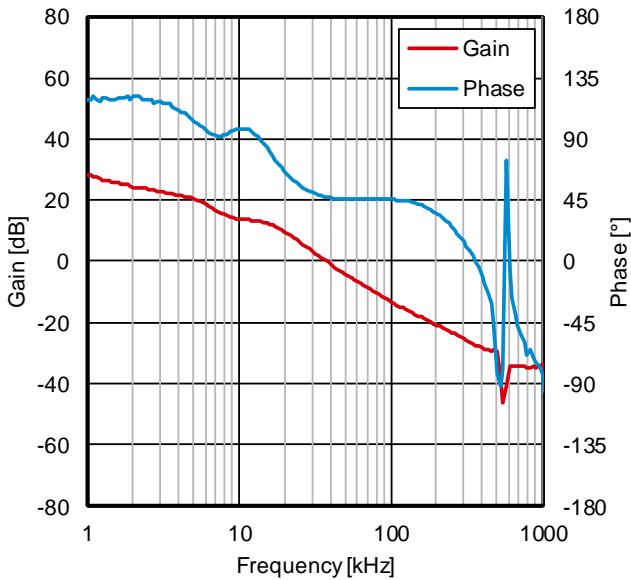


Figure 49. Frequency Characteristics ($V_{IN} = 12\text{ V}$, $I_{OUT} = 1\text{ A}$)

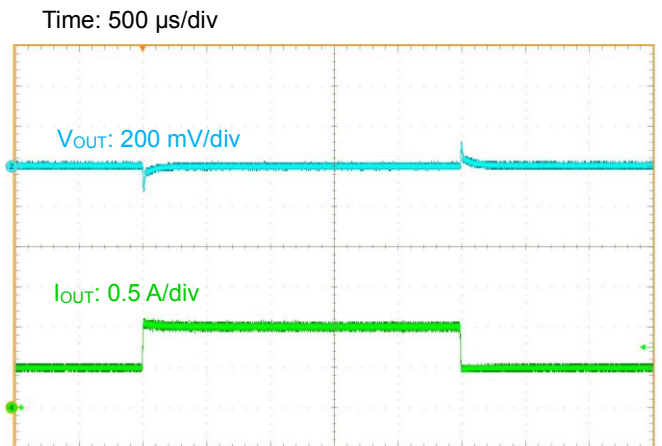


Figure 50. Load Transient Response ($V_{IN} = 12\text{ V}$, $I_{OUT} = 0.5\text{ A}$ to 1.0 A)

Application Examples - continued

5. $V_{IN} = 24\text{ V}$, $V_{OUT} = 12\text{ V}$

Table 10. Specification of Application

Parameter	Symbol	Specification Value
Input Voltage	V_{IN}	24 V (Typ)
Output Voltage	V_{OUT}	12 V (Typ)
Maximum Output Current	I_{OUTMAX}	1 A
Temperature	T_a	25 °C

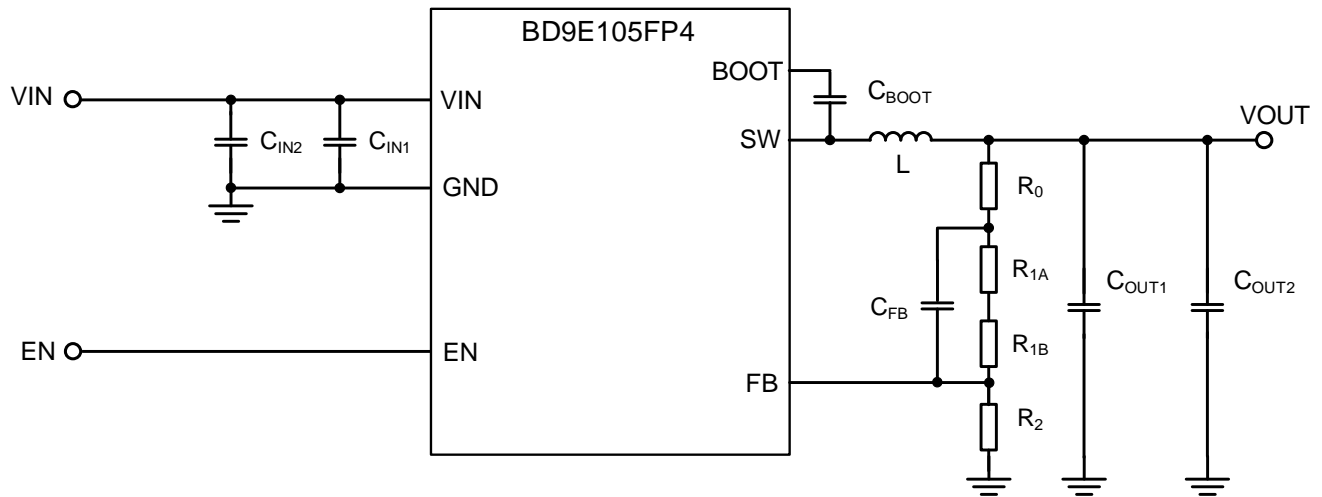


Figure 51. Application Circuit

Table 11. Recommended Component Values

Part No.	Value	Part Name	Size Code (mm)	Manufacturer
L ₁	22 μH	CLF7045NIT	7470	TDK
C_{IN1} (Note 1)	0.1 μF (50 V, X5R, $\pm 10\%$)	GRM155R61H104KE14	1005	Murata
C_{IN2} (Note 2)	10 μF (35 V, X5R, $\pm 10\%$)	GRM21BR6YA106KE43L	2012	Murata
C_{BOOT} (Note 3)	0.1 μF (50 V, X5R, $\pm 15\%$)	GRM155R61H104KE14	1005	Murata
C_{OUT1} (Note 4)	22 μF (25 V, X5R, $\pm 20\%$)	TMK212BBJ226MG-TT	2012	Yuden
C_{OUT2} (Note 4)	22 μF (25 V, X5R, $\pm 20\%$)	TMK212BBJ226MG-TT	2012	Yuden
C_{FB}	12 pF (50 V, C0G, $\pm 5\%$)	GRM0335C1H120JA01	0603	Murata
R_0 (Note 5)	Short	-	-	-
R_{1A}	Short	-	-	-
R_{1B}	130 k Ω (1 %, 1/16 W)	MCR01MZPF1303	1005	ROHM
R_2	6.8 k Ω (1 %, 1/16 W)	MCR01MZPF6801	1005	ROHM

(Note 1) In order to reduce the influence of high frequency noise, connect a 0.1 μF ceramic capacitor C_{IN1} as close as possible to the VIN pin and the GND pin.

(Note 2) For the input capacitor C_{IN2} , take temperature characteristics, DC bias characteristics, etc. into consideration to set to the actual capacitance of no less than 3.0 μF .

(Note 3) For the bootstrap capacitor C_{BOOT} , take temperature characteristics, DC bias characteristics, etc. into consideration to set to the actual capacitance of no less than 0.022 μF .

(Note 4) In case of changing the actual capacitance value due to temperature characteristics, DC bias characteristics, etc. of the output capacitor C_{OUT1} and C_{OUT2} , the loop response characteristics may change. Confirm the actual application.

(Note 5) R_0 is an option, used for feedback's frequency response measurement. By inserting a resistor at R_0 , it is possible to measure the frequency response (phase margin) using a FRA. However, the resistor is not used in actual application, use this resistor pattern in short-circuit mode.

5. $V_{IN} = 24\text{ V}$, $V_{OUT} = 12\text{ V}$ – continued

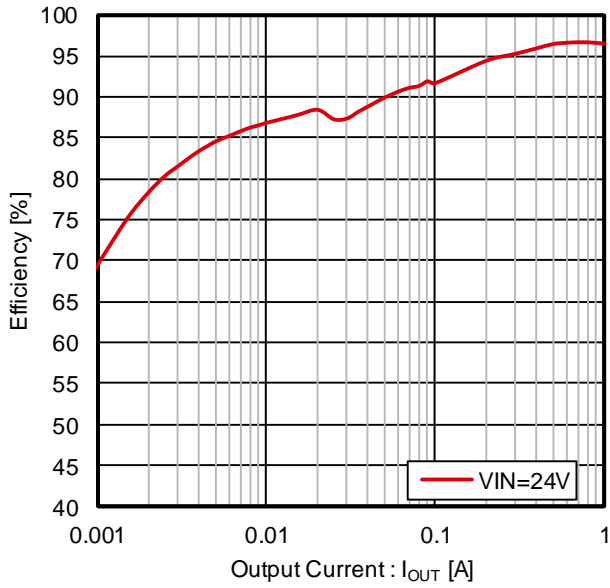


Figure 52. Efficiency vs Output Current

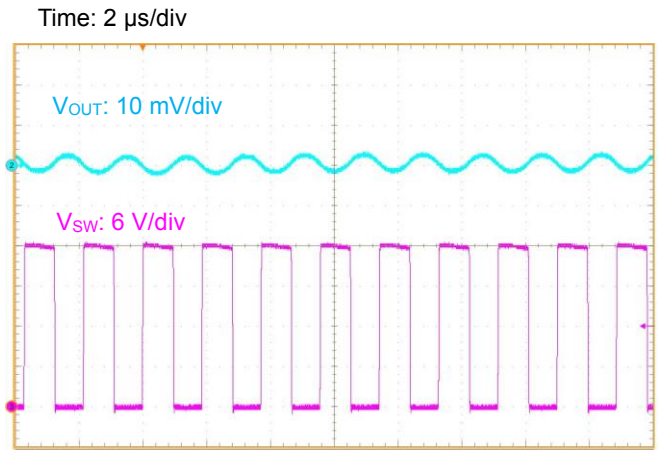


Figure 53. Output Ripple Voltage ($V_{IN} = 24\text{ V}$, $I_{OUT} = 1\text{ A}$)

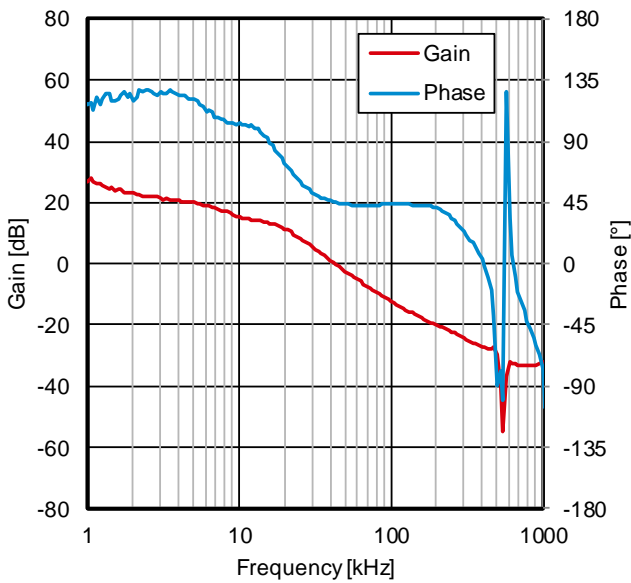


Figure 54. Frequency Characteristics ($V_{IN} = 24\text{ V}$, $I_{OUT} = 1\text{ A}$)

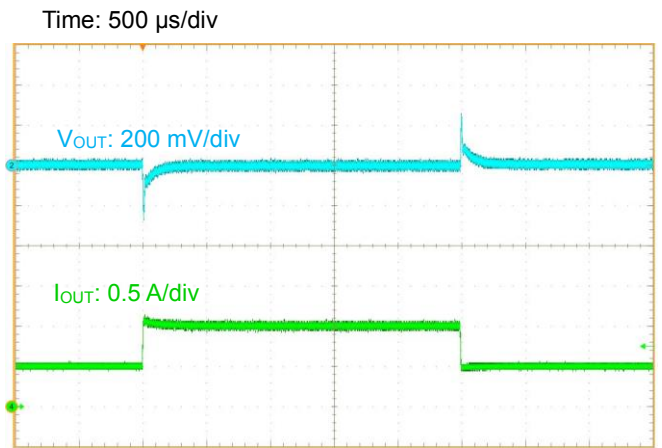


Figure 55. Load Transient Response ($V_{IN} = 24\text{ V}$, $I_{OUT} = 0.5\text{ A}$ to 1.0 A)

Selection of Components Externally Connected

Contact us if not use the recommended component values in Application Examples.

1. Input Capacitor

Use ceramic type capacitor for the input capacitor. The input capacitor is used to reduce the input ripple noise and it is effective by being placed as close as possible to the VIN pin. Set the capacitor value so that it does not fall to 3 μF considering the capacitor value variances, temperature characteristics, DC bias characteristics, aging characteristics, and etc. The PCB layout and the position of the capacitor may lead to IC malfunction. Refer to the notes on the PCB layout on PCB Layout Design when designing PCB layout. In addition, the capacitor with value 0.1 μF can be connected as close as possible to the VIN pin and the GND pin in order to reduce the high frequency noise.

2. Output LC Filter

In order to supply a continuous current to the load, the DC/DC converter requires an LC filter for smoothing the output voltage. For recommended inductance, use the values listed in Table 12.

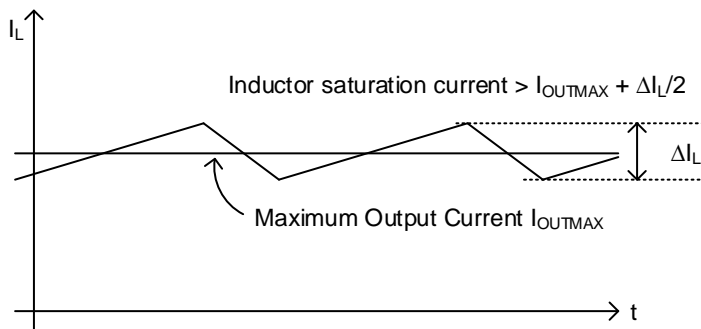


Figure 56. Waveform of Inductor Current

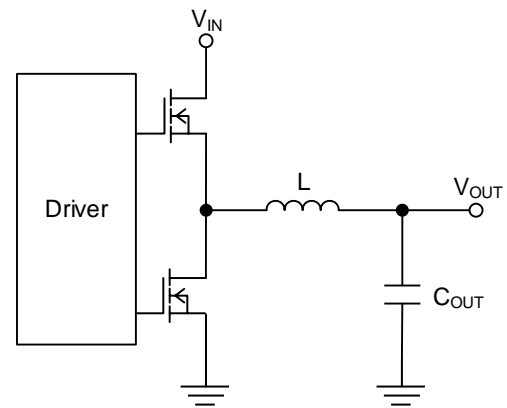


Figure 57. Output LC Filter Circuit

For example, given that $V_{IN} = 12\text{ V}$, $V_{OUT} = 5\text{ V}$, $L = 15\ \mu\text{H}$, and the switching frequency $f_{SW} = 500\text{ kHz}$, Inductor current ΔI_L can be represented by the following equation.

$$\Delta I_L = V_{OUT} \times (V_{IN} - V_{OUT}) \times \frac{1}{V_{IN} \times f_{SW} \times L} = 0.389\text{ [A]}$$

The rated current of the inductor (Inductor saturation current) must be larger than the sum of the maximum output current I_{OUTMAX} and 1/2 of the inductor ripple current ΔI_L .

Use ceramic type capacitor for the output capacitor C_{OUT} . For recommended actual capacitance, use the values listed in Table 12. C_{OUT} affects the output ripple voltage. Select C_{OUT} so that it must satisfy the required ripple voltage characteristics.

The output ripple voltage can be estimated by the following equation.

$$\Delta V_{RPL} = \Delta I_L \times \left(R_{ESR} + \frac{1}{8 \times C_{OUT} \times f_{SW}} \right) \text{ [V]}$$

where:

R_{ESR} is the Equivalent Series Resistance (ESR) of the output capacitor.

For example, given that $C_{OUT} = 44\ \mu\text{F}$ and $R_{ESR} = 5\ \text{m}\Omega$, ΔV_{RPL} can be calculated as below.

$$\Delta V_{RPL} = 0.389\text{ A} \times \left(5\ \text{m}\Omega + \frac{1}{8 \times 44\ \mu\text{F} \times 500\ \text{kHz}} \right) = 4.15\text{ [mV]}$$

2. Output LC Filter – continued

In addition, the total capacitance connected to V_{OUT} needs to satisfy the value obtained by the following equation.

$$C_{OUTMAX} < \frac{t_{SSMIN}}{V_{OUT}} \times (I_{OUTMAX} + \frac{\Delta I_L}{2} - I_{OUTSS}) \text{ [F]}$$

where:

t_{SSMIN} is the minimum soft start time.

V_{OUT} is the output voltage.

I_{OUTMAX} is the maximum output current.

ΔI_L is the inductor ripple current.

I_{OUTSS} is the maximum output current during soft start.

For example, given that $V_{IN} = 12 \text{ V}$, $V_{OUT} = 5.0 \text{ V}$, $L = 15 \text{ }\mu\text{H}$, $f_{SW} = 500 \text{ kHz (Typ)}$, $t_{SSMIN} = 3.5 \text{ ms}$, $I_{OUTMAX} = 1 \text{ A}$, and $I_{OUTSS} = 1 \text{ A}$, C_{OUTMAX} can be calculated as below.

$$C_{OUTMAX} < \frac{3.5 \text{ ms}}{5.0 \text{ V}} \times (1 \text{ A} + \frac{0.389 \text{ A}}{2} - 1 \text{ A}) = 136 \text{ }\mu\text{F}$$

If the total capacitance connected to V_{OUT} is larger than C_{OUTMAX} , over current protection may be activated by the inrush current at startup and prevented to turn on the output. Confirm this on the actual application.

Table 12. Recommended external parts value

V_{IN} [V]	V_{OUT} [V]	Inductor L [μH]	$C_{OUT_EFF}^{(Note 1)}$ [μF]	R_{1B} [k Ω]	R_2 [k Ω]	C_{FB} [pF]
5	0.7	3.3	94	47	270	120
5 to 12	1.2	4.7	94	6.2	6.2	120
5 to 24	3.3	10	44	30	6.8	33
12 to 24	5	15	44	56	7.5	47
24	12	22	44	130	6.8	12

(Note 1) C_{OUT_EFF} is the sum of actual output capacitance.

Selection of Components Externally Connected – continued

3. Output Voltage Setting, FB Capacitor

The output voltage can be set by the feedback resistance ratio connected to the FB pin. For recommended R_{1B} and R_2 , use the values listed in Table 12.

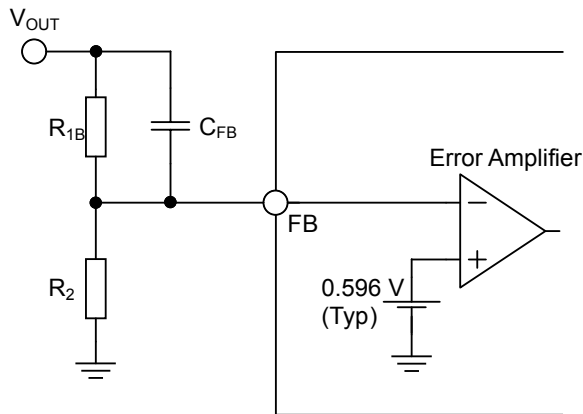


Figure 58. Feedback Resistor Circuit

The output voltage V_{OUT} can be calculated as below.

$$V_{OUT} = \frac{R_{1B} + R_2}{R_2} \times 0.596 \text{ [V]}$$

$$0.7 \leq V_{OUT} \leq (V_{IN} \times 0.8) \text{ [V]}$$

4. Bootstrap Capacitor

The bootstrap capacitor 0.1 μF is recommended. Connect the capacitor between the SW pin and the BOOT pin. For the capacitance, take temperature characteristics, DC bias characteristics, and etc. into consideration to set to the actual capacitance of no less than 0.022 μF .

PCB Layout Design

PCB layout design for DC/DC converter is very important. Appropriate layout can avoid various problems concerning power supply. Figure 59-a to Figure 59-c show the current path in a buck DC/DC converter. The Loop 1 in Figure 59-a is a current path when H-side switch is ON and L-side switch is OFF, the Loop 2 in Figure 59-b is when H-side switch is OFF and L-side switch is ON. The thick line in Figure 59-c shows the difference between Loop1 and Loop2. The current in thick line change sharply each time the switching element H-side and L-side switch change from OFF to ON, and vice versa. These sharp changes induce a waveform with harmonics in this loop. Therefore, the loop area of thick line that is consisted by input capacitor and IC should be as small as possible to minimize noise. For more details, refer to application note of switching regulator series “PCB Layout Techniques of Buck Converter”.

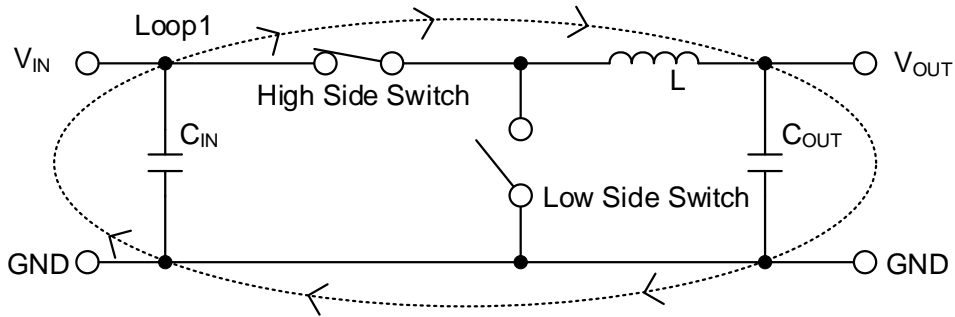


Figure 59-a. Current Path when High Side Switch = ON, Low Side Switch = OFF

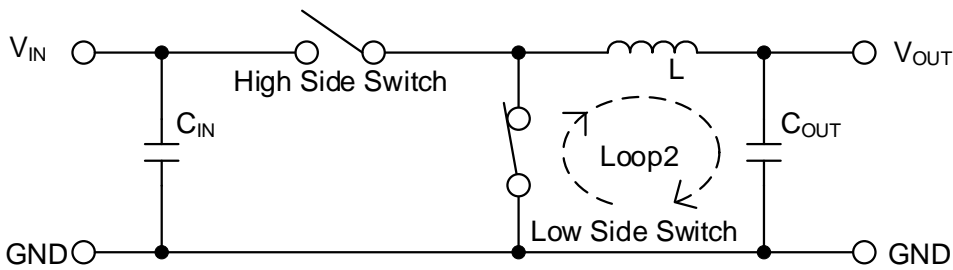


Figure 59-b. Current Path when High Side Switch = OFF, Low Side Switch = ON

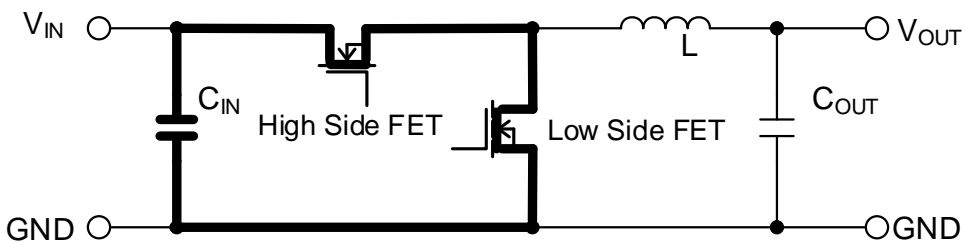


Figure 59-c. Difference of Current and Critical Area in Layout

PCB Layout Design – continued

When designing the PCB layout, pay attention to the following points:

- Connect the input capacitor C₁ and C₂ as close as possible to the VIN pin and the GND pin on the same plane as the IC.
- Switching nodes such as SW are susceptible to noise due to AC coupling with other nodes. Route the inductor pattern L as thick and as short as possible.
- The feedback line connected to the FB pin should be as far away from the SW nodes as possible.
- Place the output capacitor C₅, C₆ and C₇ away from input capacitor C₁ and C₂ to avoid harmonics noise from the input.
- R₁ is provided for the measurement of feedback frequency characteristics (optional). By inserting a resistor into R₁, it is possible to measure the frequency characteristics of feedback (phase margin) using FRA etc. R₁ is short-circuited for normal use.

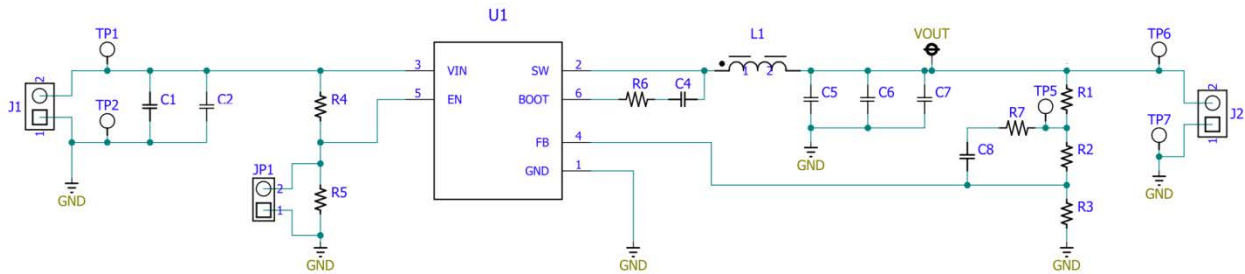


Figure 60. Application Circuit

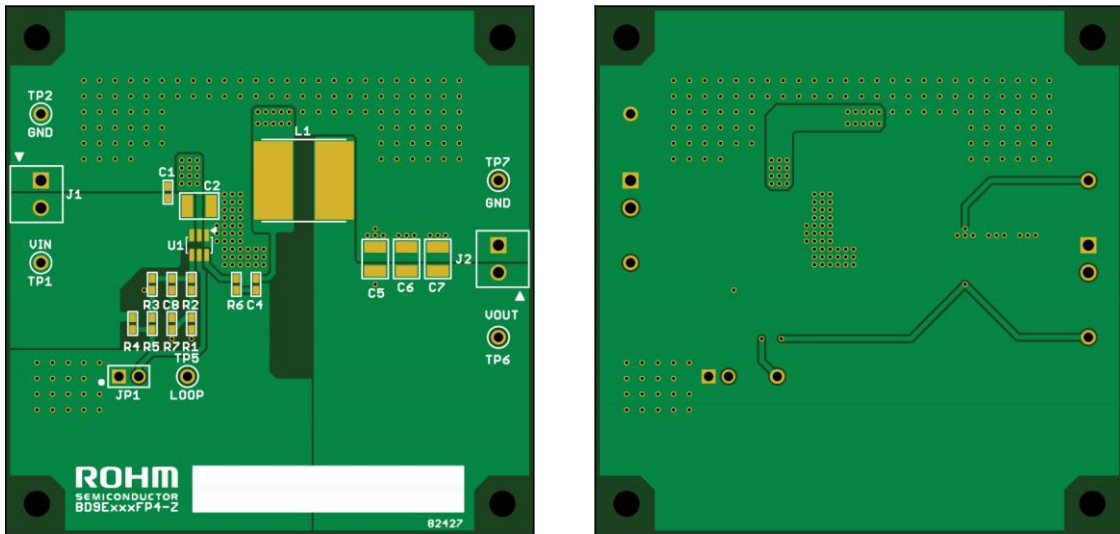


Figure 61. Example of PCB Layout (Silkscreen Overlay)

PCB Layout Design – continued

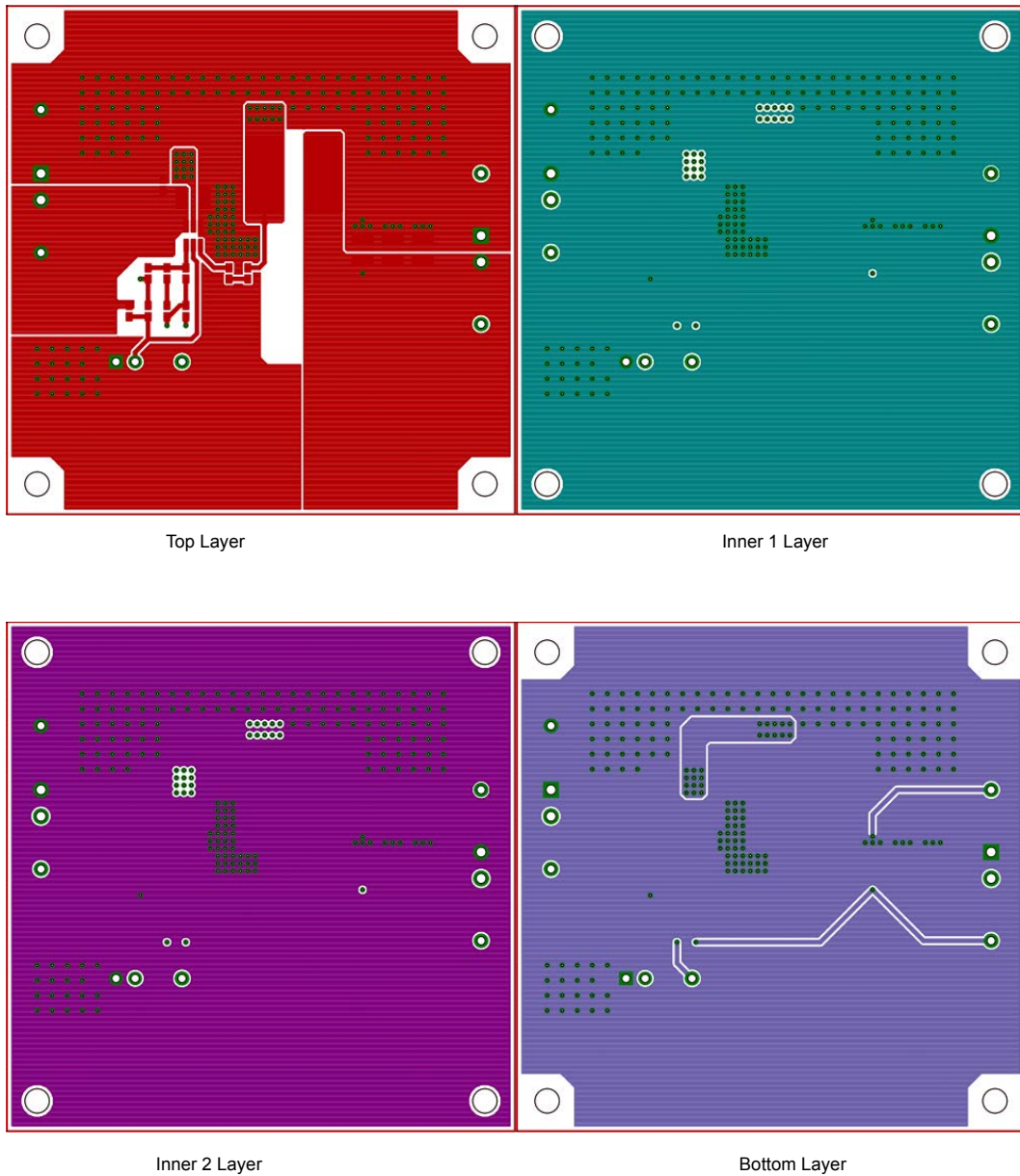
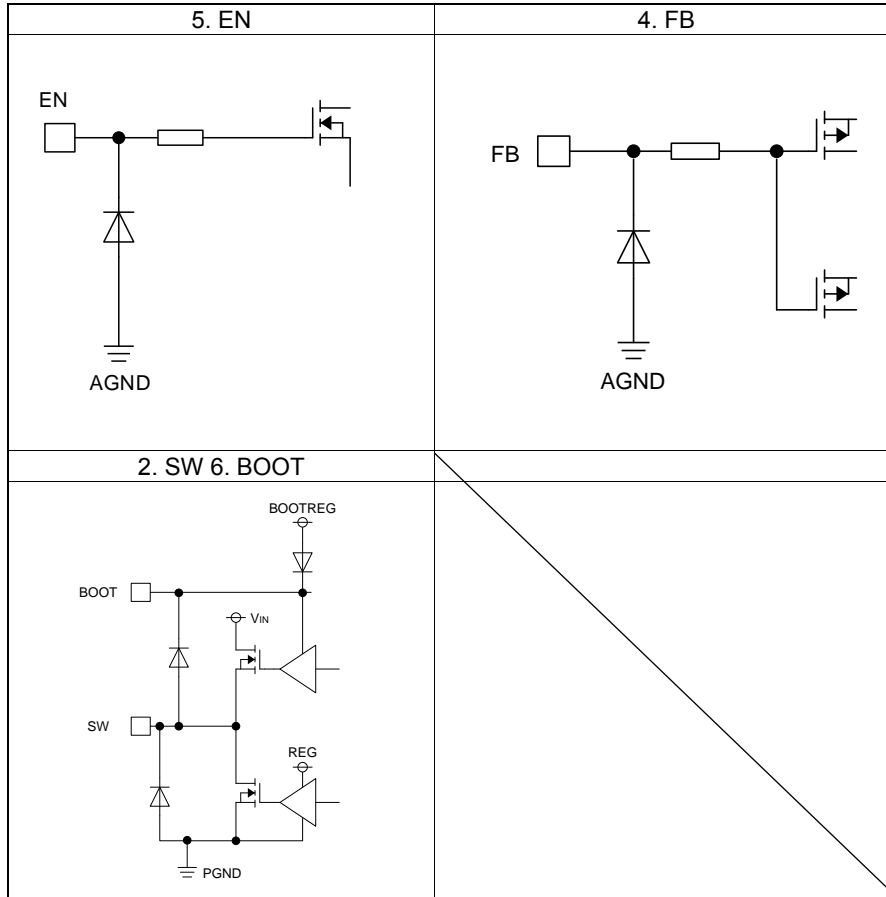


Figure 62. Example of PCB Layout

I/O Equivalence Circuits



Operational Notes

1. Reverse Connection of Power Supply

Connecting the power supply in reverse polarity can damage the IC. Take precautions against reverse polarity when connecting the power supply, such as mounting an external diode between the power supply and the IC's power supply pins.

2. Power Supply Lines

Design the PCB layout pattern to provide low impedance supply lines. Furthermore, connect a capacitor to ground at all power supply pins. Consider the effect of temperature and aging on the capacitance value when using electrolytic capacitors.

3. Ground Voltage

Ensure that no pins are at a voltage below that of the ground pin at any time, even during transient condition. However, pins that drive inductive loads (e.g. motor driver outputs, DC-DC converter outputs) may inevitably go below ground due to back EMF or electromotive force. In such cases, the user should make sure that such voltages going below ground will not cause the IC and the system to malfunction by examining carefully all relevant factors and conditions such as motor characteristics, supply voltage, operating frequency and PCB wiring to name a few.

4. Ground Wiring Pattern

When using both small-signal and large-current ground traces, the two ground traces should be routed separately but connected to a single ground at the reference point of the application board to avoid fluctuations in the small-signal ground caused by large currents. Also ensure that the ground traces of external components do not cause variations on the ground voltage. The ground lines must be as short and thick as possible to reduce line impedance.

5. Recommended Operating Conditions

The function and operation of the IC are guaranteed within the range specified by the recommended operating conditions. The characteristic values are guaranteed only under the conditions of each item specified by the electrical characteristics.

6. Inrush Current

When power is first supplied to the IC, it is possible that the internal logic may be unstable and inrush current may flow instantaneously due to the internal powering sequence and delays, especially if the IC has more than one power supply. Therefore, give special consideration to power coupling capacitance, power wiring, width of ground wiring, and routing of connections.

7. Testing on Application Boards

When testing the IC on an application board, connecting a capacitor directly to a low-impedance output pin may subject the IC to stress. Always discharge capacitors completely after each process or step. The IC's power supply should always be turned off completely before connecting or removing it from the test setup during the inspection process. To prevent damage from static discharge, ground the IC during assembly and use similar precautions during transport and storage.

8. Inter-pin Short and Mounting Errors

Ensure that the direction and position are correct when mounting the IC on the PCB. Incorrect mounting may result in damaging the IC. Avoid nearby pins being shorted to each other especially to ground, power supply and output pin. Inter-pin shorts could be due to many reasons such as metal particles, water droplets (in very humid environment) and unintentional solder bridge deposited in between pins during assembly to name a few.

9. Unused Input Pins

Input pins of an IC are often connected to the gate of a MOS transistor. The gate has extremely high impedance and extremely low capacitance. If left unconnected, the electric field from the outside can easily charge it. The small charge acquired in this way is enough to produce a significant effect on the conduction through the transistor and cause unexpected operation of the IC. So unless otherwise specified, unused input pins should be connected to the power supply or ground line.

Operational Notes – continued

10. Regarding the Input Pin of the IC

This monolithic IC contains P+ isolation and P substrate layers between adjacent elements in order to keep them isolated. P-N junctions are formed at the intersection of the P layers with the N layers of other elements, creating a parasitic diode or transistor. For example (refer to figure below):

When $GND > Pin A$ and $GND > Pin B$, the P-N junction operates as a parasitic diode.

When $GND > Pin B$, the P-N junction operates as a parasitic transistor.

Parasitic diodes inevitably occur in the structure of the IC. The operation of parasitic diodes can result in mutual interference among circuits, operational faults, or physical damage. Therefore, conditions that cause these diodes to operate, such as applying a voltage lower than the GND voltage to an input pin (and thus to the P substrate) should be avoided.

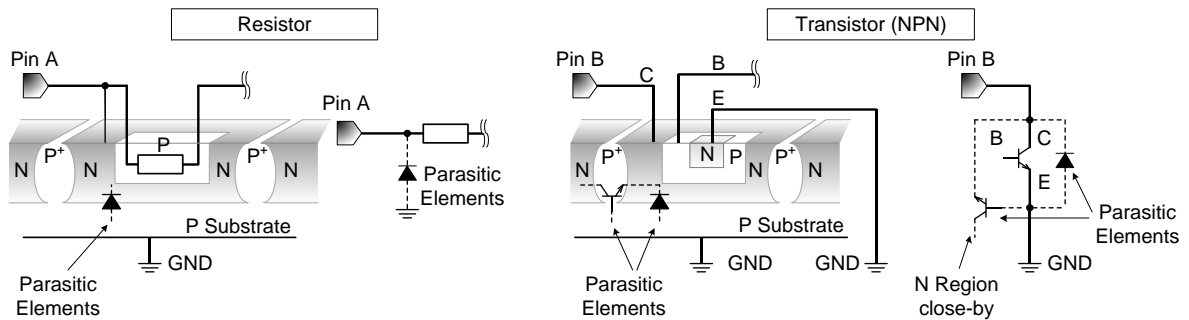


Figure 63. Example of Monolithic IC Structure

11. Ceramic Capacitor

When using a ceramic capacitor, determine a capacitance value considering the change of capacitance with temperature and the decrease in nominal capacitance due to DC bias and others.

12. Thermal Shutdown Circuit (TSD)

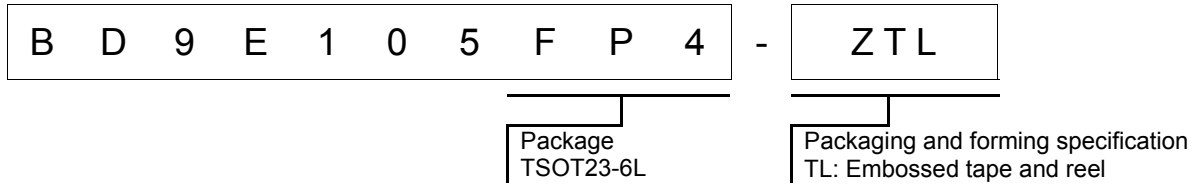
This IC has a built-in thermal shutdown circuit that prevents heat damage to the IC. Normal operation should always be within the IC's maximum junction temperature rating. If however the rating is exceeded for a continued period, the junction temperature (T_j) will rise which will activate the TSD circuit that will turn OFF power output pins. When the T_j falls below the TSD threshold, the circuits are automatically restored to normal operation.

Note that the TSD circuit operates in a situation that exceeds the absolute maximum ratings and therefore, under no circumstances, should the TSD circuit be used in a set design or for any purpose other than protecting the IC from heat damage.

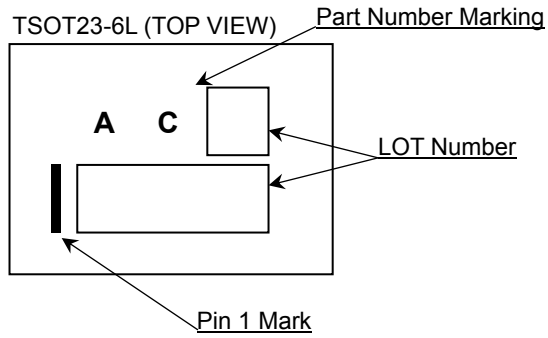
13. Over Current Protection Circuit (OCP)

This IC incorporates an integrated overcurrent protection circuit that is activated when the load is shorted. This protection circuit is effective in preventing damage due to sudden and unexpected incidents. However, the IC should not be used in applications characterized by continuous operation or transitioning of the protection circuit.

Ordering Information

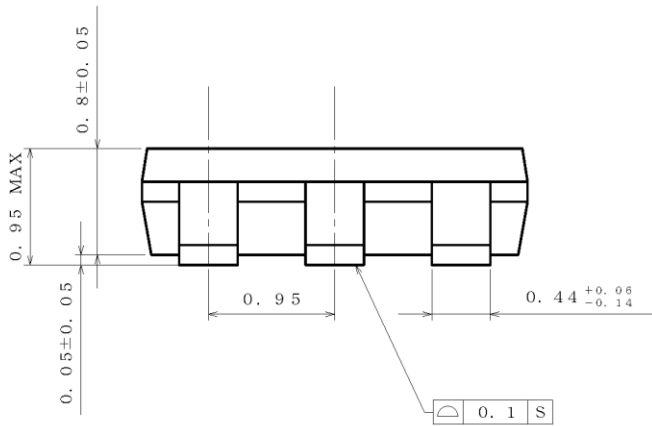
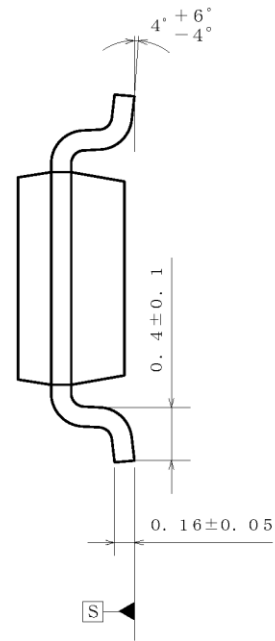
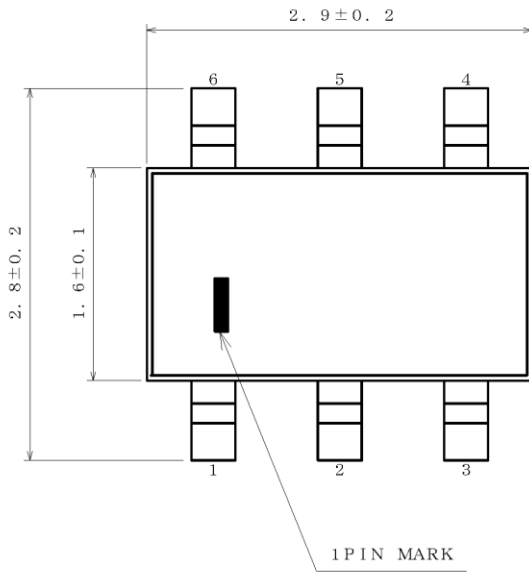


Marking Diagram



Physical Dimension and Packing Information

Package Name	TSOT23-6L
--------------	-----------



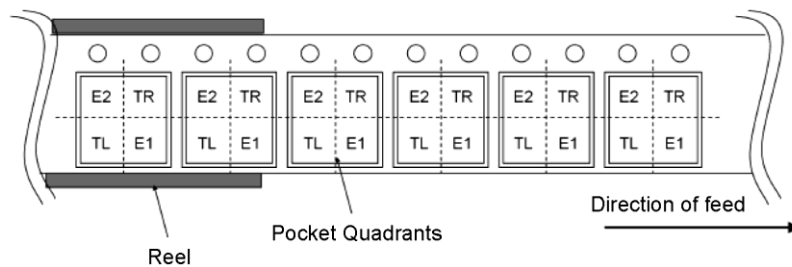
(UNIT : mm)

PKG : TSOT23-6L

Drawing No. EX001-0114

< Tape and Reel Information >

Tape	Embossed carrier tape
Quantity	3500pcs
Direction of feed	TL The direction is the pin 1 of product is at the lower left when you hold reel on the left hand and you pull out the tape on the right hand



Revision History

Date	Revision	Changes
21.May.2021	001	New Release

Notice

Precaution on using ROHM Products

- Our Products are designed and manufactured for application in ordinary electronic equipment (such as AV equipment, OA equipment, telecommunication equipment, home electronic appliances, amusement equipment, etc.). If you intend to use our Products in devices requiring extremely high reliability (such as medical equipment ^(Note 1), transport equipment, traffic equipment, aircraft/spacecraft, nuclear power controllers, fuel controllers, car equipment including car accessories, safety devices, etc.) and whose malfunction or failure may cause loss of human life, bodily injury or serious damage to property ("Specific Applications"), please consult with the ROHM sales representative in advance. Unless otherwise agreed in writing by ROHM in advance, ROHM shall not be in any way responsible or liable for any damages, expenses or losses incurred by you or third parties arising from the use of any ROHM's Products for Specific Applications.

(Note1) Medical Equipment Classification of the Specific Applications

JAPAN	USA	EU	CHINA
CLASS III	CLASS III	CLASS II b	CLASS III
CLASS IV		CLASS III	

- ROHM designs and manufactures its Products subject to strict quality control system. However, semiconductor products can fail or malfunction at a certain rate. Please be sure to implement, at your own responsibilities, adequate safety measures including but not limited to fail-safe design against the physical injury, damage to any property, which a failure or malfunction of our Products may cause. The following are examples of safety measures:
 - Installation of protection circuits or other protective devices to improve system safety
 - Installation of redundant circuits to reduce the impact of single or multiple circuit failure
- Our Products are designed and manufactured for use under standard conditions and not under any special or extraordinary environments or conditions, as exemplified below. Accordingly, ROHM shall not be in any way responsible or liable for any damages, expenses or losses arising from the use of any ROHM's Products under any special or extraordinary environments or conditions. If you intend to use our Products under any special or extraordinary environments or conditions (as exemplified below), your independent verification and confirmation of product performance, reliability, etc. prior to use, must be necessary:
 - Use of our Products in any types of liquid, including water, oils, chemicals, and organic solvents
 - Use of our Products outdoors or in places where the Products are exposed to direct sunlight or dust
 - Use of our Products in places where the Products are exposed to sea wind or corrosive gases, including Cl₂, H₂S, NH₃, SO₂, and NO₂
 - Use of our Products in places where the Products are exposed to static electricity or electromagnetic waves
 - Use of our Products in proximity to heat-producing components, plastic cords, or other flammable items
 - Sealing or coating our Products with resin or other coating materials
 - Use of our Products without cleaning residue of flux (Exclude cases where no-clean type fluxes is used. However, recommend sufficiently about the residue.) ; or Washing our Products by using water or water-soluble cleaning agents for cleaning residue after soldering
 - Use of the Products in places subject to dew condensation
- The Products are not subject to radiation-proof design.
- Please verify and confirm characteristics of the final or mounted products in using the Products.
- In particular, if a transient load (a large amount of load applied in a short period of time, such as pulse, is applied, confirmation of performance characteristics after on-board mounting is strongly recommended. Avoid applying power exceeding normal rated power; exceeding the power rating under steady-state loading condition may negatively affect product performance and reliability.
- De-rate Power Dissipation depending on ambient temperature. When used in sealed area, confirm that it is the use in the range that does not exceed the maximum junction temperature.
- Confirm that operation temperature is within the specified range described in the product specification.
- ROHM shall not be in any way responsible or liable for failure induced under deviant condition from what is defined in this document.

Precaution for Mounting / Circuit board design

- When a highly active halogenous (chlorine, bromine, etc.) flux is used, the residue of flux may negatively affect product performance and reliability.
- In principle, the reflow soldering method must be used on a surface-mount products, the flow soldering method must be used on a through hole mount products. If the flow soldering method is preferred on a surface-mount products, please consult with the ROHM representative in advance.

For details, please refer to ROHM Mounting specification

Precautions Regarding Application Examples and External Circuits

1. If change is made to the constant of an external circuit, please allow a sufficient margin considering variations of the characteristics of the Products and external components, including transient characteristics, as well as static characteristics.
2. You agree that application notes, reference designs, and associated data and information contained in this document are presented only as guidance for Products use. Therefore, in case you use such information, you are solely responsible for it and you must exercise your own independent verification and judgment in the use of such information contained in this document. ROHM shall not be in any way responsible or liable for any damages, expenses or losses incurred by you or third parties arising from the use of such information.

Precaution for Electrostatic

This Product is electrostatic sensitive product, which may be damaged due to electrostatic discharge. Please take proper caution in your manufacturing process and storage so that voltage exceeding the Products maximum rating will not be applied to Products. Please take special care under dry condition (e.g. Grounding of human body / equipment / solder iron, isolation from charged objects, setting of Ionizer, friction prevention and temperature / humidity control).

Precaution for Storage / Transportation

1. Product performance and soldered connections may deteriorate if the Products are stored in the places where:
 - [a] the Products are exposed to sea winds or corrosive gases, including Cl₂, H₂S, NH₃, SO₂, and NO₂
 - [b] the temperature or humidity exceeds those recommended by ROHM
 - [c] the Products are exposed to direct sunshine or condensation
 - [d] the Products are exposed to high Electrostatic
2. Even under ROHM recommended storage condition, solderability of products out of recommended storage time period may be degraded. It is strongly recommended to confirm solderability before using Products of which storage time is exceeding the recommended storage time period.
3. Store / transport cartons in the correct direction, which is indicated on a carton with a symbol. Otherwise bent leads may occur due to excessive stress applied when dropping of a carton.
4. Use Products within the specified time after opening a humidity barrier bag. Baking is required before using Products of which storage time is exceeding the recommended storage time period.

Precaution for Product Label

A two-dimensional barcode printed on ROHM Products label is for ROHM's internal use only.

Precaution for Disposition

When disposing Products please dispose them properly using an authorized industry waste company.

Precaution for Foreign Exchange and Foreign Trade act

Since concerned goods might be fallen under listed items of export control prescribed by Foreign exchange and Foreign trade act, please consult with ROHM in case of export.

Precaution Regarding Intellectual Property Rights

1. All information and data including but not limited to application example contained in this document is for reference only. ROHM does not warrant that foregoing information or data will not infringe any intellectual property rights or any other rights of any third party regarding such information or data.
2. ROHM shall not have any obligations where the claims, actions or demands arising from the combination of the Products with other articles such as components, circuits, systems or external equipment (including software).
3. No license, expressly or implied, is granted hereby under any intellectual property rights or other rights of ROHM or any third parties with respect to the Products or the information contained in this document. Provided, however, that ROHM will not assert its intellectual property rights or other rights against you or your customers to the extent necessary to manufacture or sell products containing the Products, subject to the terms and conditions herein.

Other Precaution

1. This document may not be reprinted or reproduced, in whole or in part, without prior written consent of ROHM.
2. The Products may not be disassembled, converted, modified, reproduced or otherwise changed without prior written consent of ROHM.
3. In no event shall you use in any way whatsoever the Products and the related technical information contained in the Products or this document for any military purposes, including but not limited to, the development of mass-destruction weapons.
4. The proper names of companies or products described in this document are trademarks or registered trademarks of ROHM, its affiliated companies or third parties.

General Precaution

1. Before you use our Products, you are requested to carefully read this document and fully understand its contents. ROHM shall not be in any way responsible or liable for failure, malfunction or accident arising from the use of any ROHM's Products against warning, caution or note contained in this document.
2. All information contained in this document is current as of the issuing date and subject to change without any prior notice. Before purchasing or using ROHM's Products, please confirm the latest information with a ROHM sales representative.
3. The information contained in this document is provided on an "as is" basis and ROHM does not warrant that all information contained in this document is accurate and/or error-free. ROHM shall not be in any way responsible or liable for any damages, expenses or losses incurred by you or third parties resulting from inaccuracy or errors of or concerning such information.