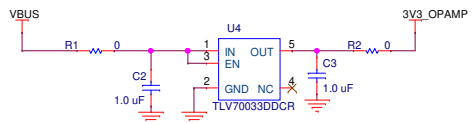
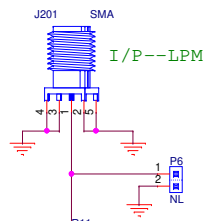
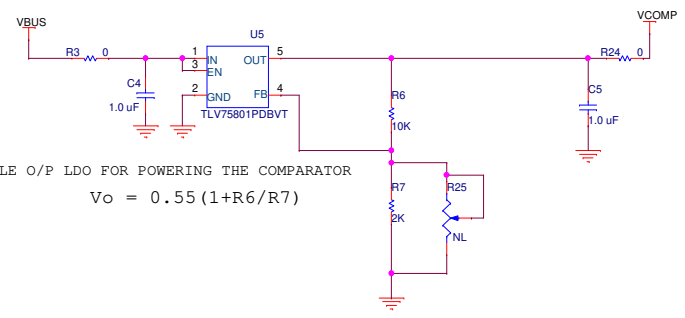


FIXED OUTPUT(3.3V) LDO For Powering the OP_AMP

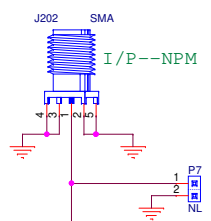


VARIABLE O/P LDO FOR POWERING THE COMPARATOR

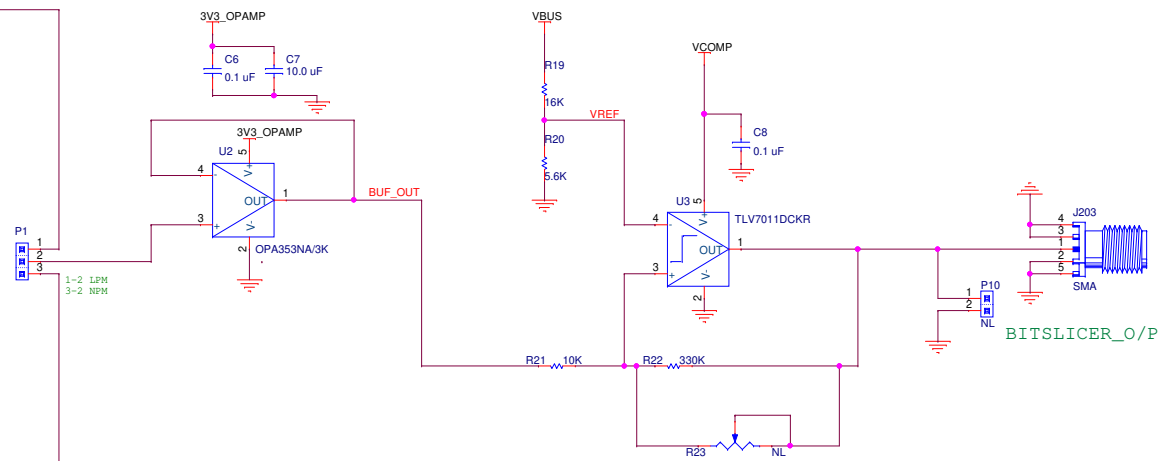
$$V_o = 0.55 (1 + R_6/R_7)$$



FOR LPM MODE



FOR NPM MODE



Title		
<Title>		
Size	Document Number	Rev
A3	<Doc>	<Rev Code>
Date:	Tuesday, September 17, 2019	Sheet 1 of 1