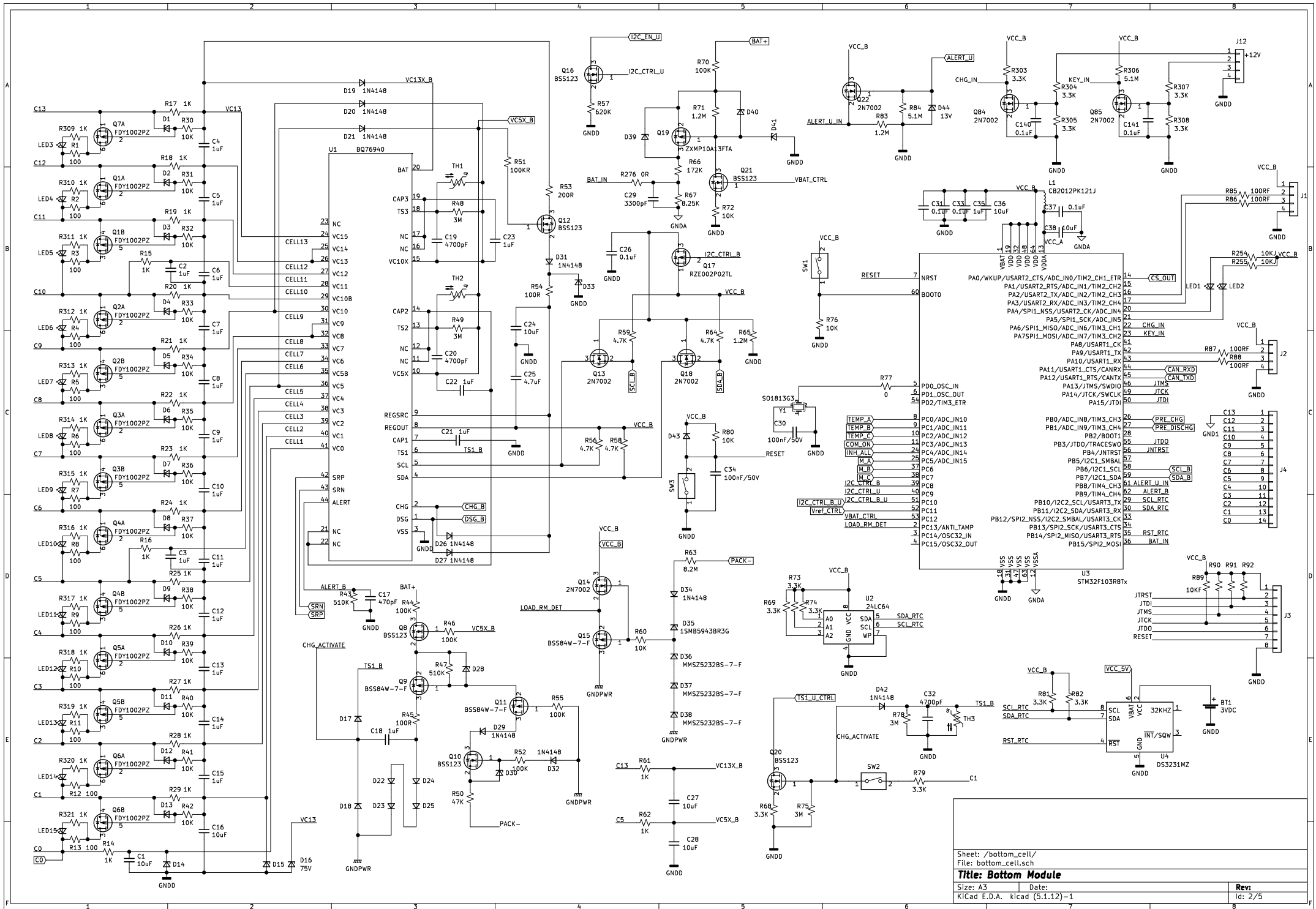
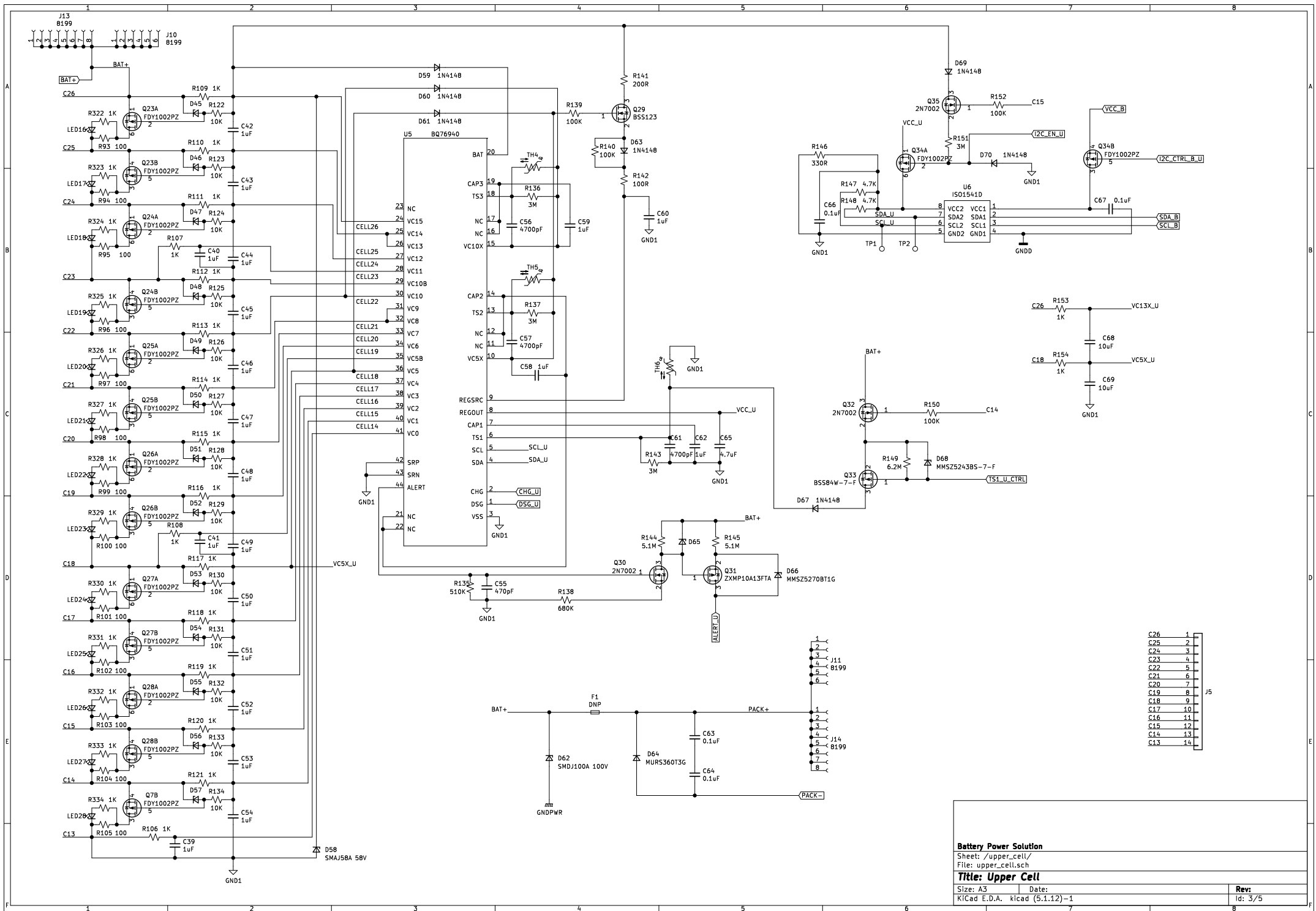


Sheet: /	
File: e-bike.sch	
Title: BMS for EBike	
Size: A4	Date:
KiCad E.D.A. kicad (5.1.12)-1	Rev:
	Id: 1/5



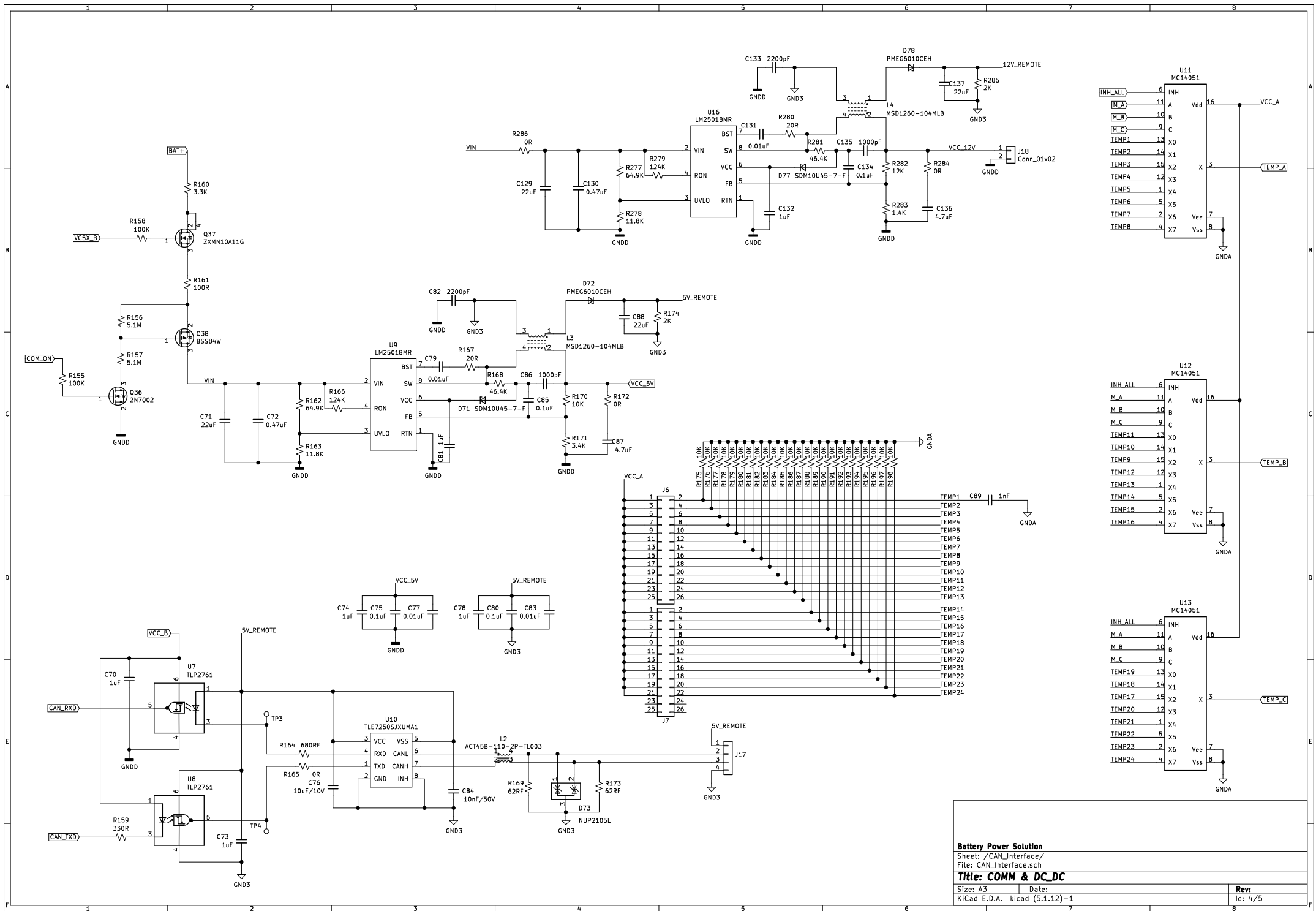
Sheet: /bottom_cell/		File: bottom_cell.sch	
Title: Bottom Module			
Size: A3	Date:	Rev:	
KICad E.D.A. kicad (5.1.12)-1		Id: 2/5	



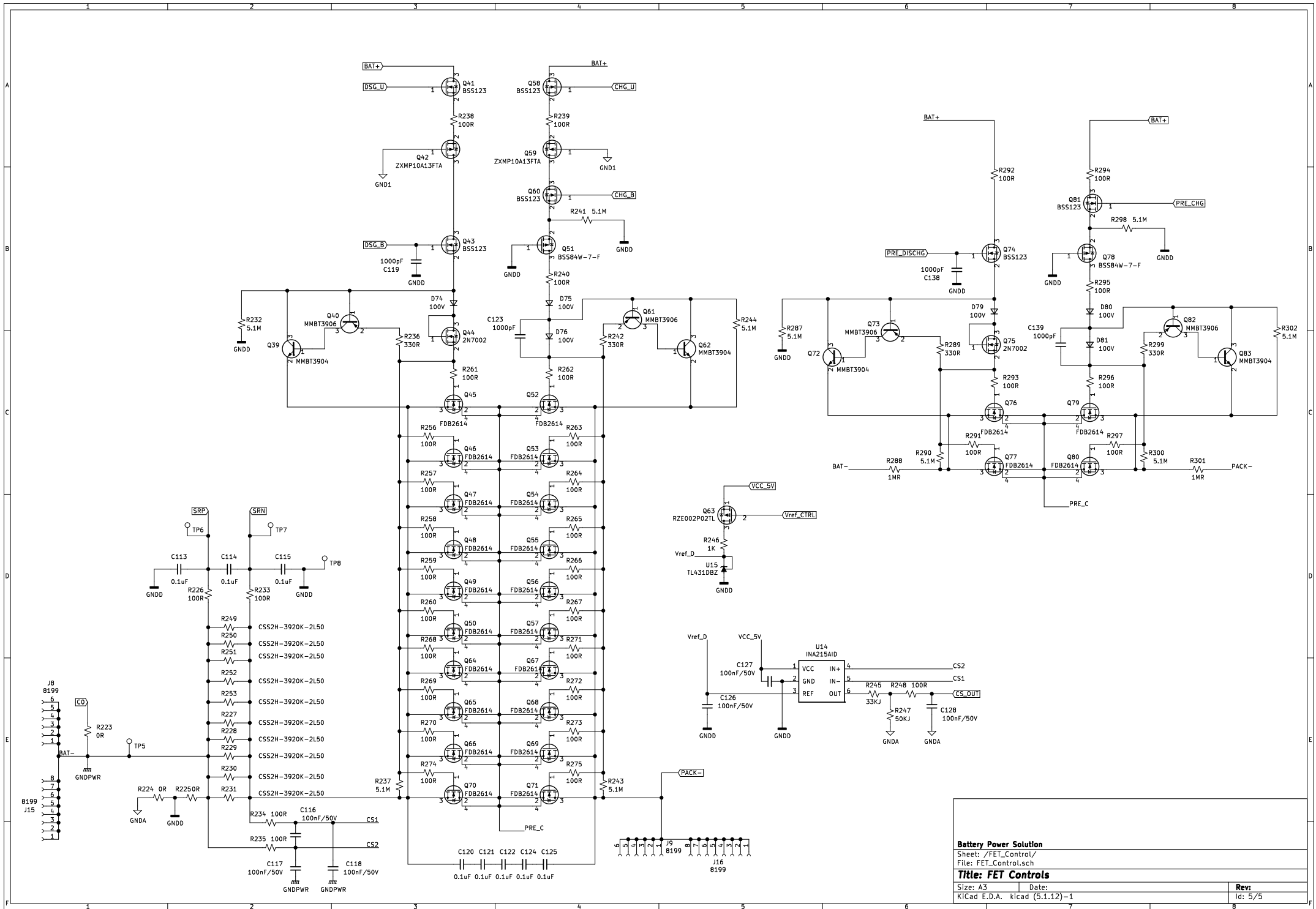
C26	1
C25	2
C24	3
C23	4
C22	5
C21	6
C20	7
C19	8
C18	9
C17	10
C16	11
C15	12
C14	13
C13	14

Battery Power Solution
 Sheet: /upper_cell/
 File: upper_cell.sch
Title: Upper Cell

Size: A3	Date:	Rev:
KICad E.D.A. kicad (5.1.12)-1		3/5



Battery Power Solution
 Sheet: /CAN_Interface/
 File: CAN_Interface.sch
Title: COMM & DC_DC
 Size: A3 Date: _____ Rev: _____
 KiCad E.D.A. kicad (5.1.12)-1 Id: 4/5



Battery Power Solution		
Sheet: /FET_Control/		
File: FET_Control.sch		
Title: FET Controls		
Size: A3	Date:	Rev:
KiCad E.D.A. kicad (5.1.12)-1		Id: 5/5