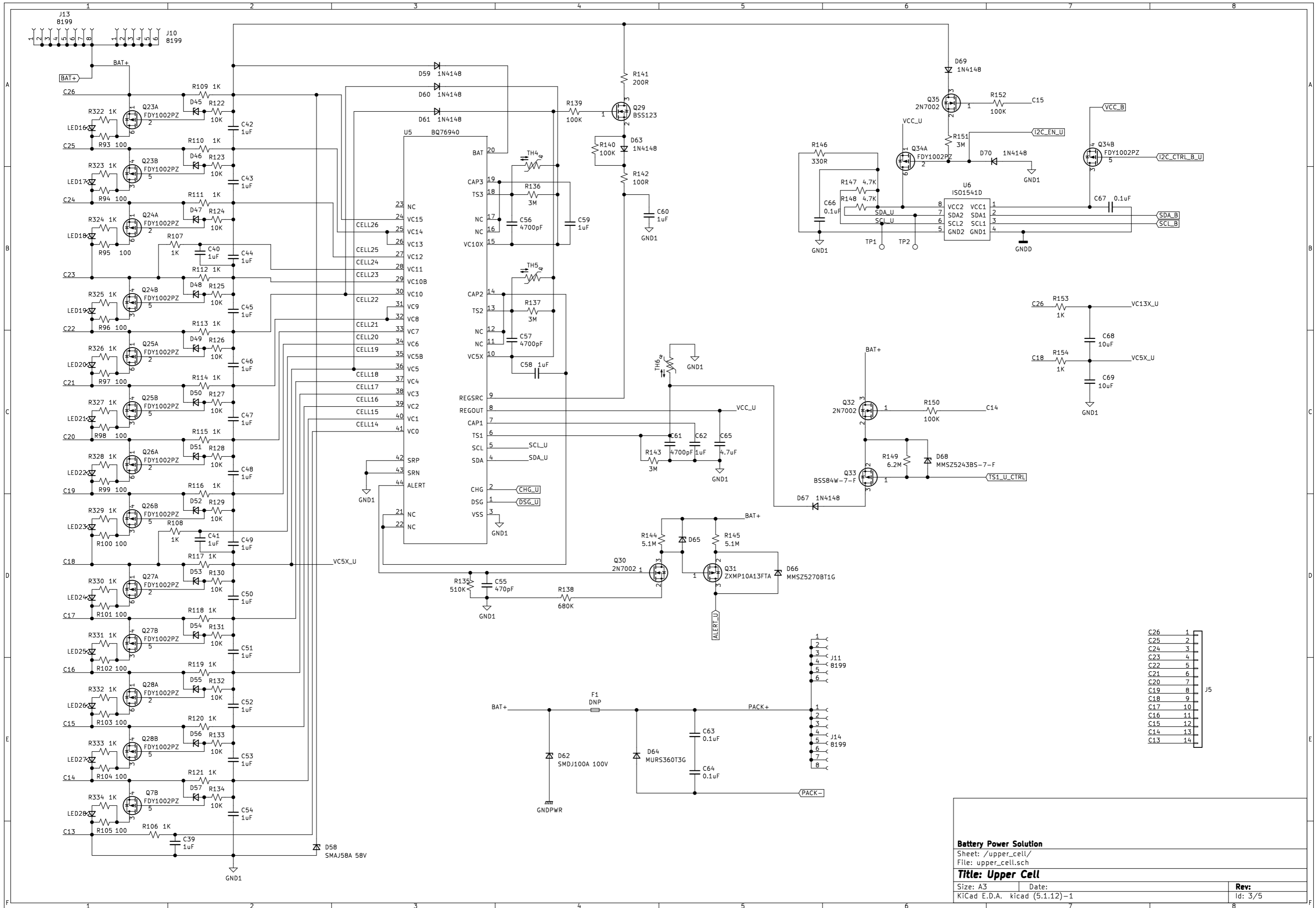
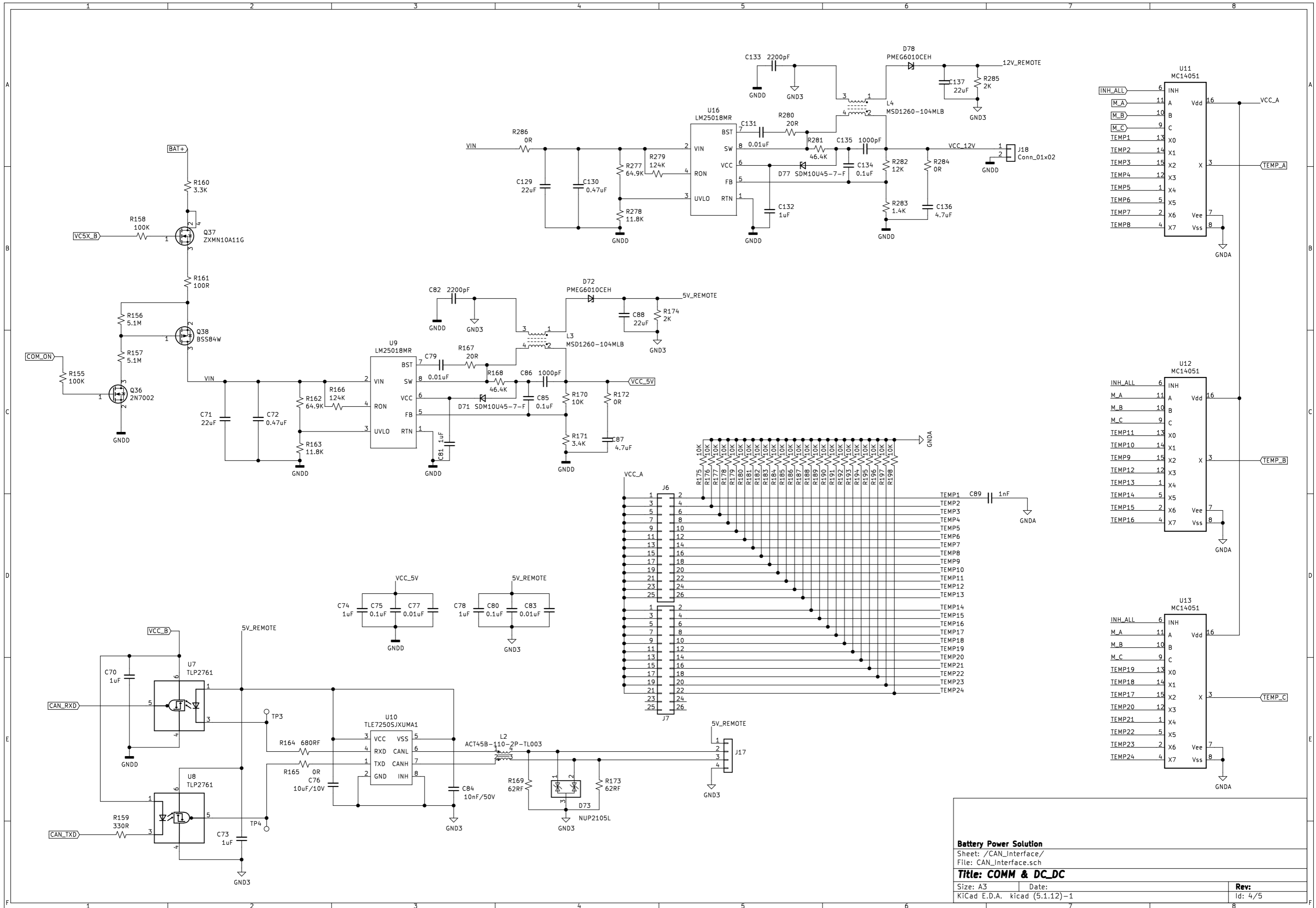


Sheet: /bottom_cell/
File: bottom_cell.sch
Title: Bottom Module
Size: A3 Date: _____
KiCad E.D.A. kicad (5.1.12)-1 **Rev:** 2/5

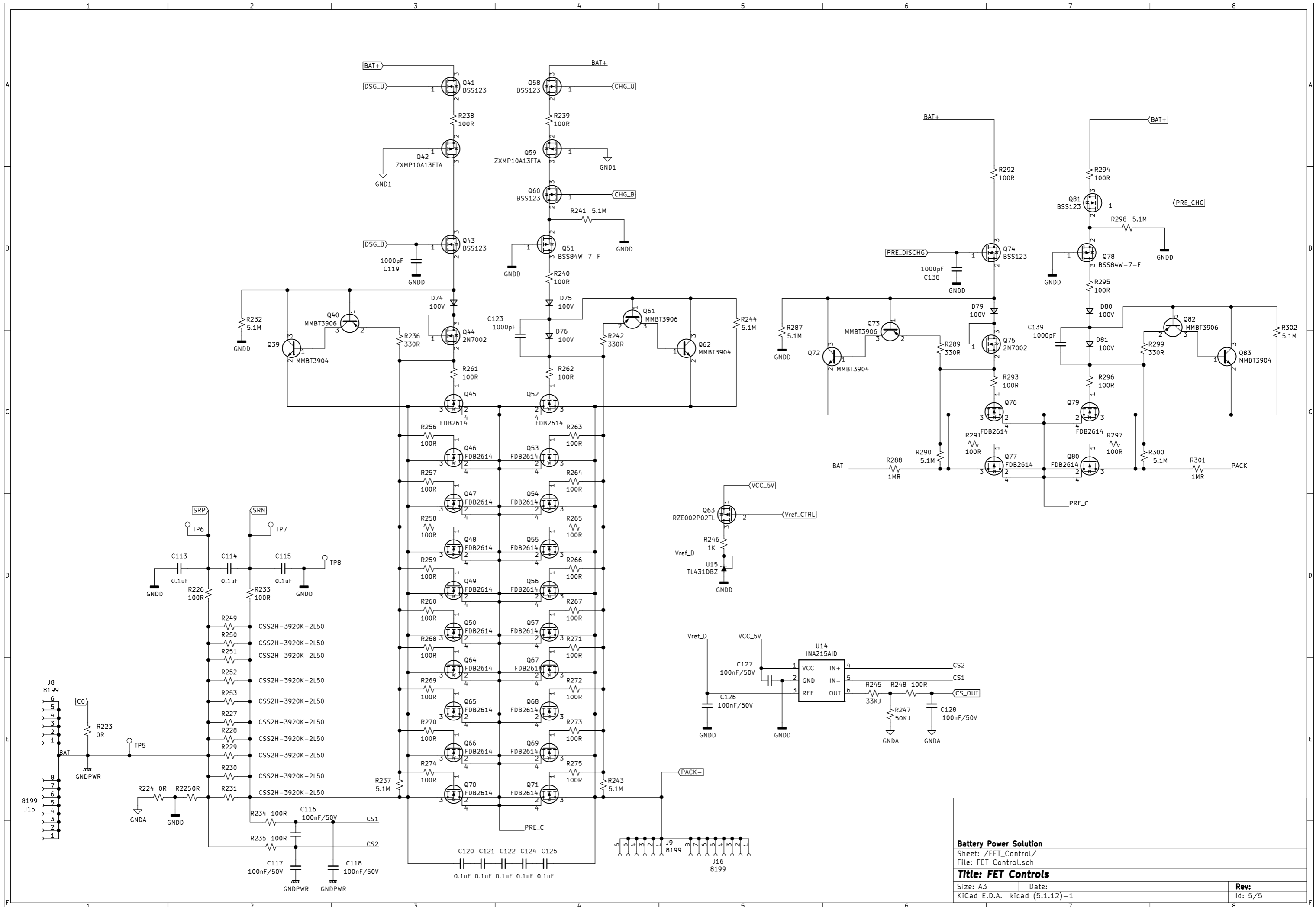


C26	1
C25	2
C24	3
C23	4
C22	5
C21	6
C20	7
C19	8
C18	9
C17	10
C16	11
C15	12
C14	13
C13	14

Battery Power Solution
 Sheet: /upper_cell/
 File: upper_cell.sch
Title: Upper Cell
 Size: A3 Date:
 KiCad E.D.A. kicad (5.1.12)-1 **Rev:** 3/5



Battery Power Solution
 Sheet: /CAN_Interface/
 File: CAN_Interface.sch
Title: COMM & DC_DC
 Size: A3 Date: _____
 KiCad E.D.A. kicad (5.1.12)-1 **Rev:** 4/5



Battery Power Solution		
Sheet: /FET_Control/		
File: FET_Control.sch		
Title: FET Controls		
Size: A3	Date:	Rev:
KiCad E.D.A. kicad (5.1.12)-1		Id: 5/5