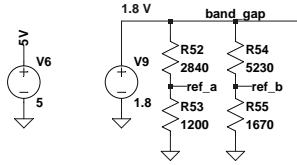


.model MySwitch1 SW(Ron=.1 Roff=1G Vt=0.5 Vh=-.05)

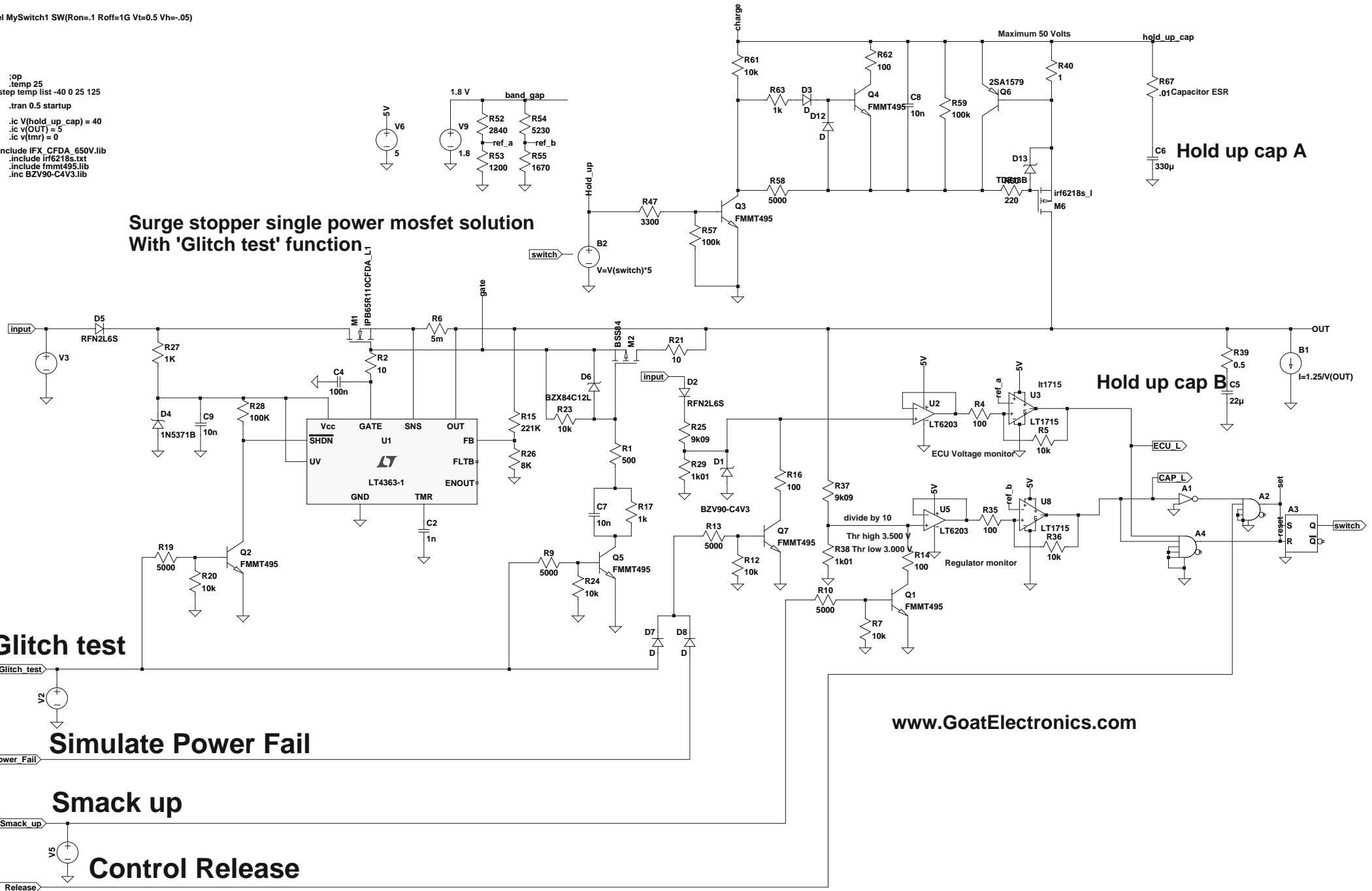
```

:op
.temp 25
.step temp list -40 0 25 125
.tran 0.5 startup
.ic V(hold_up_cap) = 40
.ic v(OUT) = 5
.ic v(tmr) = 0
.include IFX_CFDA_650V.lib
.include irf6218s.txt
.include fmmt495.lib
.inc BZV90-C4V3.lib

```



Surge stopper single power mosfet solution With 'Glitch test' function



Glitch test



Simulate Power Fail

Sim Power Fail

Smack up

Smack up

Control Release

Control Release

www.GoatElectronics.com